



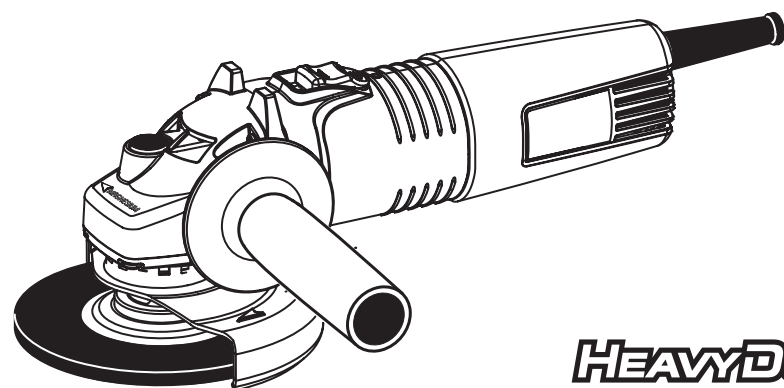
POWER  
TOOLS



# SPARKY

# HD PROFESSIONAL

(EN)	<b>ANGLE GRINDER</b> Original instructions	1 – 11
(DE)	<b>WINKELSCHLEIFER</b> Originalbetriebsanleitung	12 – 23
(FR)	<b>MEULEUSE ANGULAIRE</b> Notice originale	24 – 36
(IT)	<b>SMERIGLIATRICE ANGOLARE</b> Istruzioni originali	37 – 48
(ES)	<b>ESMERILADORA ANGULAR</b> Instrucciones de uso originales	49 – 61
(PT)	<b>REBARBADORA ANGULAR</b> Manual original	62 – 73
(PL)	<b>SZLIFIERKA KĄTOWA</b> Oryginalna instrukcja obsługi	74 – 85
(RU)	<b>УГЛОШЛИФОВАЛЬНАЯ МАШИНА</b> Оригинальная инструкция по эксплуатации	86 – 99
(UK)	<b>КУТОШЛІФОВАЛЬНА МАШИНА</b> Оригінальна інструкція з експлуатації	100 – 112
(BG)	<b>ЪГЛОШЛИФОВЪЧНА МАШИНА</b> Оригинална инструкция за използване	113 – 125



## HEAVYDUTY

750 W

M 750 HD Compact • M 750E HD Compact



### (EN) DECLARATION OF CONFORMITY

We declare under our sole responsibility that this product, described under "Technical specifications", fulfils all the relevant provisions of the following directives and the harmonized standards: 2006/42/EC, 2014/30/EU, 2011/65/EU, EN 60745-1, EN 60745-2-3; EN 55014-1, EN 55014-2, EN 61000-3-2, EN 61000-3-3, EN 50581. Technical file is stored at SPARKY ELTOS AD, Kubrat Str. 9, 5500 Lovech, Bulgaria.

### (DE) KONFORMITÄTSERKLÄRUNG

Hiermit versichern wir unsere persönliche Haftung, dass Produkt im Abschnitt "Technische Daten" beschrieben" allen einschlägigen Bestimmungen folgender Richtlinien und entsprechender harmonisierten Standards entspricht: 2006/42/EC, 2014/30/EU, 2011/65/UE, EN 60745-1, EN 60745-2-3; EN 55014-1, EN 55014-2, EN 61000-3-2, EN 61000-3-3, EN 50581. Die technischen Unterlagen werden bei SPARKY ELTOS AD, Kubrat Str.9, 5500 Lovech, Bulgarien, aufbewahrt.

### (FR) DECLARATION DE CONFORMITE

Nous déclarons sous notre responsabilité que le produit décrit dans la rubrique "Données techniques" satisfait à l'ensemble des dispositions pertinentes des présentes directives, respectivement aux normes harmonisées: 2006/42/CE, 2014/30/UE, 2011/65/UE, EN 60745-1, EN 60745-2-3; EN 55014-1, EN 55014-2, EN 61000-3-2, EN 61000-3-3, EN 50581. Le dossier technique est conservé par SPARKY ELTOS AD, 9, rue Kubrat, 5500 Lovech, Bulgarie.

### (IT) DICHIARAZIONE DI CONFORMITÀ

Noi dichiariamo sotto la nostra personale responsabilità, che il prodotto, descritto nella sezione "Dati tecnici" è in conformità a tutte le disposizioni pertinenti della presente direttiva e norme armonizzate: 2006/42/CE, 2014/30/UE, 2011/65/UE, EN 60745-1, EN 60745-2-3; EN 55014-1, EN 55014-2, EN 61000-3-2, EN 61000-3-3, EN 50581. Il fascicolo tecnico viene custodito presso la SPARKY ELTOS AD, 5500 Lovech, via Kubrat n. 9, Bulgaria.

### (ES) DECLARACIÓN DE CONFORMIDAD

Declaramos bajo nuestra exclusiva responsabilidad que el producto, descrito en los "Datos técnicos", está conforme con todas las disposiciones aplicables de la presente directrices aplicables y las correspondientes normas armonizadas: 2006/42/CE, 2014/30/UE, 2011/65/UE, EN 60745-1, EN 60745-2-3; EN 55014-1, EN 55014-2, EN 61000-3-2, EN 61000-3-3, EN 50581. El expediente técnico está archivado en SPARKY ELTOS AD, C/ Kubrat, 9, 5500 Lovech, Bulgaria.

### (PT) DECLARAÇÃO DE CONFORMIDADE

Declaramos assumindo a nossa responsabilidade pessoal que o produto, descrito em los "Dados técnicos", está conforme com todas as disposições relevantes da presente directrizes aplicáveis e respectivos estandarizados harmonizados: 2006/42/CE, 2014/30/UE, 2011/65/UE, EN 60745-1, EN 60745-2-3; EN 55014-1, EN 55014-2, EN 61000-3-2, EN 61000-3-3, EN 50581. A documentação técnica guarda-se no SPARKY ELTOS AD, rua Kubrat 9, 5500, Lovech, Bulgária.

### (PL) DEKLARACJA ZGODNOŚCI

Niniejszym deklarujemy naszą osobistą odpowiedzialnością, że produkt, przedstawiony w rozdziale „Dane techniczne”, pełni wszystkie odpowiednie postanowienia następujących dyrektyw i harmonizowanych standardów: 2006/42/WE, 2014/30/UE, 2011/65/UE, EN 60745-1, EN 60745-2-3; EN 55014-1, EN 55014-2, EN 61000-3-2, EN 61000-3-3, EN 50581. Tecznka techniczna przechowywana jest w SPARKY ELTOS AD, Kubrat Str.9, 5500 Lovetch, Bulgaria.

### (RU) ДЕКЛАРАЦИЯ О СООТВЕТСТВИИ

Мы заявляем со всей ответственностью, что продукт, описанный в разделе "Технические данные", полностью соответствует всем соответствующим требованиям действующих директив и гармонизированных стандартов: 2006/42/EC, 2014/30/EU, 2011/65/EU, EN 60745-1, EN 60745-2-3; EN 55014-1, EN 55014-2, EN 61000-3-2, EN 61000-3-3, EN 50581. Техническое досье хранится в СПАРКИ ЕЛТОС АД, ул. Кубрат №9, 5500 Ловеч, Болгария.

### (UK) ДЕКЛАРАЦІЯ ПРО ВІДПОВІДНІСТЬ

Ми заявляємо під свою власну відповідальність, що продукт, описаний у розділі "Технічні дані" відповідає всім діючим вимогам директив і гармонізованих стандартів: 2006/42/EC, 2014/30/EU, 2011/65/EU, EN 60745-1, EN 60745-2-3; EN 55014-1, EN 55014-2, EN 61000-3-2, EN 61000-3-3, EN 50581. Технічне досьє зберігається в СПАРКИ ЕЛТОС АД, ул. Кубрат № 9, 5500 Ловеч, Болгарія.

### (BG) ДЕКЛАРАЦИЯ ЗА СЪОТВЕТСТВИЕ

Ние декларираме на своя лична отговорност, че изделието, описано в раздел "Технически данни", отговаря на всички приложими изисквания на следните директиви и хармонизирани стандарти: 2006/42/EC, 2014/30/EU, 2011/65/UE, EN 60745-1, EN 60745-2-3; EN 55014-1, EN 55014-2, EN 61000-3-2, EN 61000-3-3, EN 50581. Техническото досье се съхранява в СПАРКИ ЕЛТОС АД, ул. Кубрат №9, 5500 Ловеч, България.

Manufacturer  
SPARKY Power Tools GmbH  
Leipziger Str. 20  
10117 Berlin, GERMANY

Signature of authorized person

A. Ivanov  
Technical director of SPARKY ELTOS AD

6 March 2017

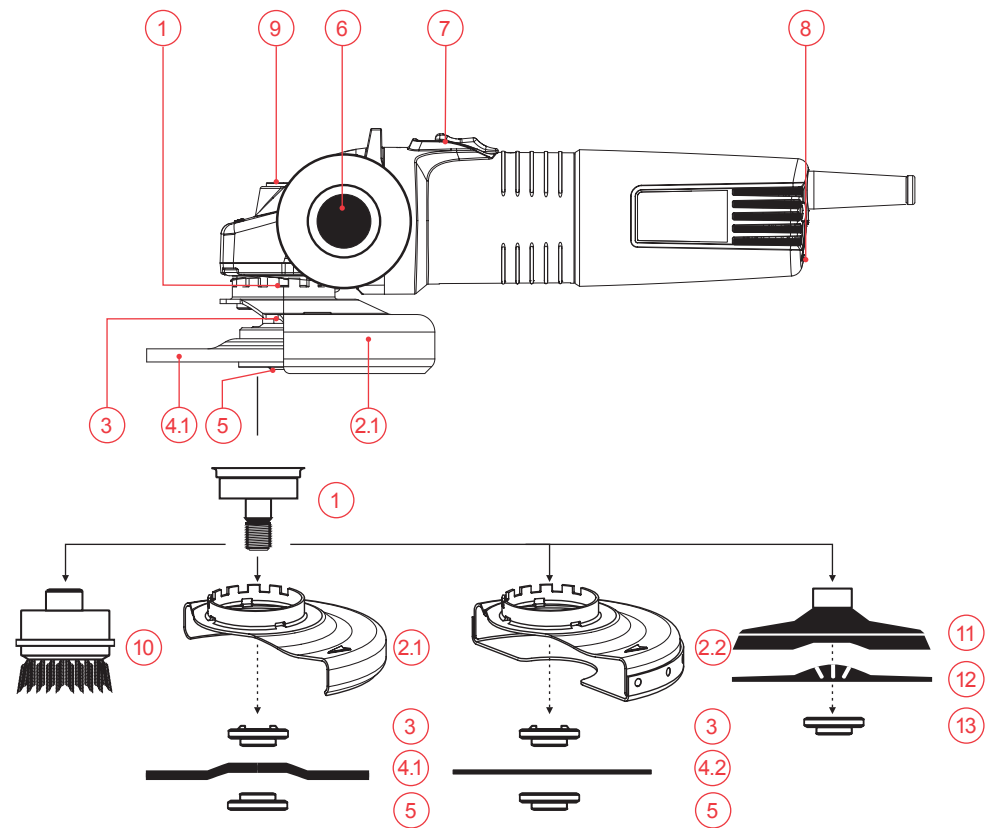
www.sparky.eu

147913V3

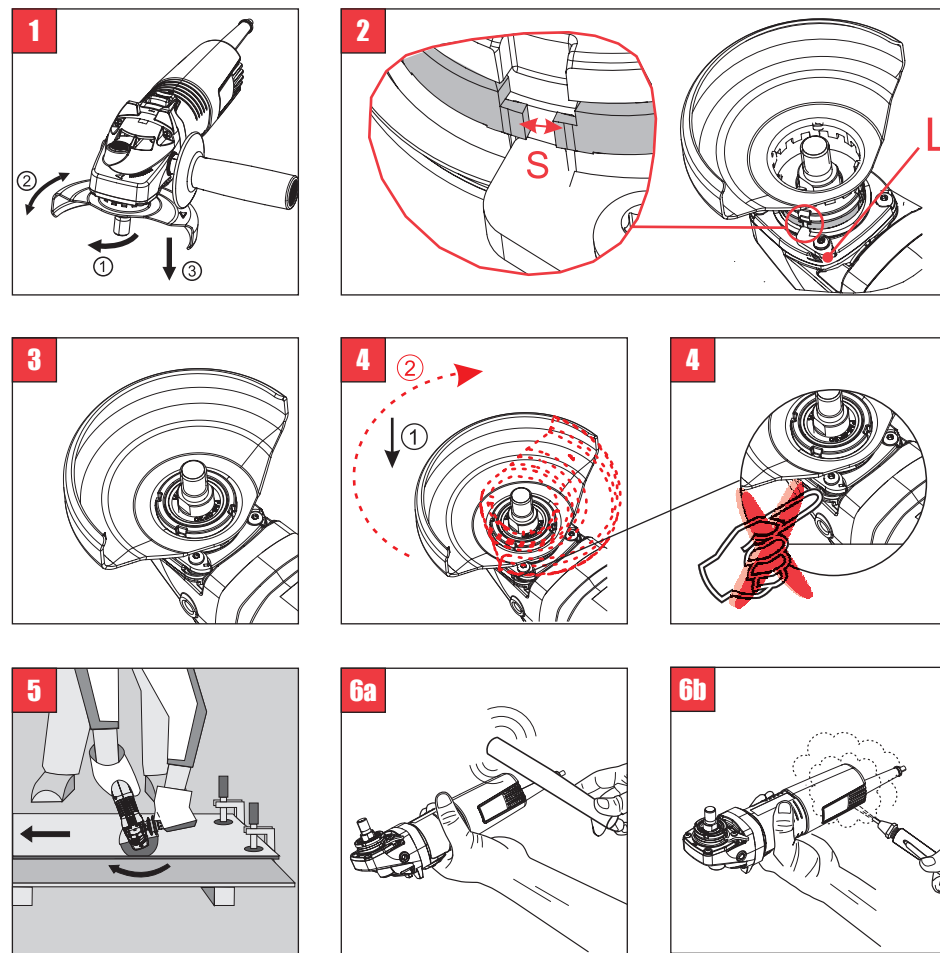
1706R01

© 2017 SPARKY

BLACK PANTONE185



A



B

# Contents

Introduction .....	1
Technical specifications .....	3
General power tool safety warnings .....	4
Angle grinder safety warnings.....	5
Know your product .....	A/8
Operation .....	B/8
Maintenance .....	10
Warranty .....	11

## UNPACKING

Due to modern mass production techniques, it is unlikely that your power tool is faulty or that a part is missing. If you find anything wrong, do not operate the tool until the parts have been replaced or the fault has been rectified. Failure to do so could result in serious personal injury.

## ASSEMBLY

The angle grinder is packed fully assembled except for the wheel guard and the auxiliary handle.

## Introduction

---

Your new SPARKY power tool will more than satisfy your expectations. It has been manufactured under stringent SPARKY Quality Standards to meet superior performance criteria. You will find your new tool easy and safe to operate, and, with proper care, it will give you many years of dependable service.

### WARNING:



Carefully read through these Original Instructions before using your new SPARKY power tool. Take special care to heed the Warnings. Your SPARKY power tool has many features that will make your job faster and easier. Safety, performance, and dependability have been given top priority in the development of this tool, making it easy to maintain and operate.



### **Do not dispose of electric tools together with household waste!**

Waste electrical products should not be disposed of with household waste. Please recycle where facilities exist. Check with your local authority or retailer for recycling advice.

## ENVIRONMENTAL PROTECTION



The machine, accessories and packaging should be sorted for environmental-friendly recycling.

The plastic components are labelled for categorised recycling.

## DESCRIPTION OF SYMBOLS

The rating plate on your power tool may show symbols. These represent important information about the product or instructions on its use.



Double insulated for additional protection.



Spindle thread: M14



Conforms to the relevant European Directives.



Conforms to the requirements of Customs Union regulations.



Conforms to the requirements of Ukrainian standards.



Refer to Original Instructions.




Always wear eye protection.

YYYY-Www    Production period, where the variable symbols are:  
YYYY- year of manufacture,  
ww - calendar week number.

M                Angle grinder.

# Technical specifications

Model	M750 HD Compact	M750E HD Compact
Power input	750 W	750 W
Rated speed	10500 min <sup>-1</sup>	3500-10500 min <sup>-1</sup>
Spindle thread	M14	M14
Spindle thread length	20 mm	20 mm
Wheel arbor	22,23 mm	22,23 mm
Max. wheel diameter	125 mm	125 mm
Max. wheel thickness	6 mm	6 mm
Weight (EPTA Procedure 01/2014)	1,8 kg	1,9 kg
Safety class (EN 60745-1) 	II	II
<b>NOISE AND VIBRATION INFORMATION</b>		
Measured values determined according to EN 60745		
<b>Noise emission</b>		
A-weighted sound pressure level L <sub>pA</sub>	86 dB(A)	85 dB(A)
Uncertainty K <sub>pA</sub>	3 dB(A)	3 dB(A)
A-weighted sound power level L <sub>WA</sub>	97 dB(A)	96 dB(A)
Uncertainty K <sub>WA</sub>	3 dB(A)	3 dB(A)
Wear hearing protection!		
<b>Vibration emission *</b>		
Total vibration values (vector sum in the three axes) determined according to EN 60745:		
Surface grinding		
Vibration emission value a <sub>h,AG</sub>	10,8 m/s <sup>2</sup>	10,6 m/s <sup>2</sup>
Uncertainty K <sub>AG</sub>	1,5 m/s <sup>2</sup>	1,5 m/s <sup>2</sup>
Sanding		
Vibration emission value a <sub>h,DS</sub>		<2,5 m/s <sup>2</sup>
Uncertainty K <sub>DS</sub>		1,5 m/s <sup>2</sup>
* The vibration emission values are determined according to 6.2.7 of EN 60745.		

The vibration emission level given in this information sheet has been measured in accordance with a standardised test given in EN 60745 and may be used to compare one tool with another. It may be used for a preliminary assessment of exposure.

The declared vibration emission level represents the main applications of the tool. However if the tool is used for different applications, with different accessories or poorly maintained, the vibration emission may differ. This may significantly increase the exposure level over the total working period.

An estimation of the level of exposure to vibration should also take into account the times when the tool is switched off or when it is running but not actually doing the job. This may significantly reduce the exposure level over the total working period.

Maintain the power tool and the accessories and keep your hands warm during operation to reduce the harmful effect of vibrations.

Other applications such as cutting-off or wire brushing may have different vibration emission values. Dust from material such as paint containing lead, some wood species, minerals and metal may be harmful. Contact with or inhalation of the dust may cause allergic reactions and/or respiratory diseases to the operator or bystanders.

Certain kinds of dust are classified as carcinogenic such as oak and beech dust especially in conjunction with additives for wood conditioning (chromate, wood preservative). Material containing asbestos must only be treated by specialists.

- Where the use of a dust extraction device is possible it shall be used.
- The work place must be well ventilated.
- The use of a dust mask of filter class P2 is recommended.

Follow national requirements for the materials you want to work with.

# General power tool safety warnings



**WARNING!** Read all safety warnings and all instructions. Failure to follow the warnings and instructions may result in electric shock, fire and/or serious injury.

Save all warnings and instructions for future reference.

The term “power tool” in the warnings refers to your mains-operated (corded) power tool or battery-operated (cordless) power tool.

## 1) Work area safety

- a) **Keep work area clean and well lit.** Cluttered or dark areas invite accidents.
- b) **Do not operate power tools in explosive atmospheres, such as in the presence of flammable liquids, gases or dust.** Power tools create sparks which may ignite the dust or fumes.
- c) **Keep children and bystanders away while operating a power tool.** Distractions can cause you to lose control.

## 2) Electrical safety

- a) **Power tool plugs must match the outlet.** Never modify the plug in any way. Do not use any adapter plugs with earthed (grounded) power tools. Unmodified plugs and matching outlets will reduce risk of electric shock.
- b) **Avoid body contact with earthed or grounded surfaces, such as pipes, radiators, ranges and refrigerators.** There is an increased risk of electric shock if your body is earthed or grounded.
- c) **Do not expose power tools to rain or wet conditions.** Water entering a power tool will increase the risk of electric shock.
- d) **Do not abuse the cord.** Never use the cord for carrying, pulling or unplugging the power tool. Keep cord away from heat, oil, sharp edges or moving parts. Damaged or entangled cords increase the risk of electric shock.
- e) **When operating a power tool outdoors, use an extension cord suitable for outdoor use.** Use of a cord suitable for outdoor use reduces the risk of electric shock.
- f) **If operating a power tool in a damp location is unavoidable, use a residual current device (RCD) protected supply.**

*Use of an RCD reduces the risk of electric shock.*

## 3) Personal safety

- a) **Stay alert, watch what you are doing and use common sense when operating a power tool. Do not use a power tool while you are tired or under the influence of drugs, alcohol or medication.** A moment of inattention while operating power tools may result in serious personal injury.
  - b) **Use personal protective equipment. Always wear eye protection.** Protective equipment such as dust mask, non-skid safety shoes, hard hat, or hearing protection used for appropriate conditions will reduce personal injuries.
  - c) **Prevent unintentional starting.** Ensure the switch is in the off-position before connecting to power source and/or battery pack, picking up or carrying the tool. Carrying power tools with your finger on the switch or energising power tools that have the switch on invites accidents.
  - d) **Remove any adjusting key or wrench before turning the power tool on.** A wrench or a key left attached to a rotating part of the power tool may result in personal injury.
  - e) **Do not overreach.** Keep proper footing and balance at all times. This enables better control of the power tool in unexpected situations.
  - f) **Dress properly. Do not wear loose clothing or jewellery.** Keep your hair, clothing and gloves away from moving parts. Loose clothes, jewellery or long hair can be caught in moving parts.
  - g) **If devices are provided for the connection of dust extraction and collection facilities, ensure these are connected and properly used.** Use of dust collection can reduce dust-related hazards.
- ## 4) Power tool use and care
- a) **Do not force the power tool.** Use the correct power tool for your application. The correct power tool will do the job better and safer at the rate for which it was designed.
  - b) **Do not use the power tool if the switch does not turn it on and off.** Any power tool that cannot be controlled with the switch is dangerous and must be repaired.
  - c) **Disconnect the plug from the power source and/or the battery pack from the power tool before making any adjustments, changing accessories, or stor-**

ing power tools. Such preventive safety measures reduce the risk of starting the power tool accidentally.

- d) **Store idle power tools out of the reach of children and do not allow persons unfamiliar with the power tool or these instructions to operate the power tool.** *Power tools are dangerous in the hands of untrained users.*
- e) **Maintain power tools. Check for misalignment or binding of moving parts, breakage of parts and any other condition that may affect the power tool's operation. If damaged, have the power tool repaired before use.** *Many accidents are caused by poorly maintained power tools.*
- f) **Keep cutting tools sharp and clean.** *Properly maintained cutting tools with sharp cutting edges are less likely to bind and are easier to control.*
- g) **Use the power tool, accessories and tool bits etc. in accordance with these instructions, taking into account the working conditions and the work to be performed.** *Use of the power tool for operations different from those intended could result in a hazardous situation.*

#### 5) Service

- a) **Have your power tool serviced by a qualified repair person using only identical replacement parts.** *This will ensure that the safety of the power tool is maintained.*

## Angle grinder safety warnings

---

### Safety Warnings Common for Grinding, Sanding, Wire Brushing, Polishing or Abrasive Cutting-Off Operations:

- a) **This power tool is intended to function as a grinder, sander, wire brush, polisher or cut-off tool.** Read all safety warnings, instructions, illustrations and specifications provided with this power tool. *Failure to follow all instructions listed below may result in electric shock, fire and/or serious injury.*
- b) **This power tool is not recommended for polishing.** *Operations for which the power tool was not designed may create a hazard and cause personal injury. (M 750 HD Compact)*

- c) **Do not use accessories which are not specifically designed and recommended by the tool manufacturer.** *Just because the accessory can be attached to your power tool, it does not assure safe operation.*
- d) **The rated speed of the accessory must be at least equal to the maximum speed marked on the power tool.** *Accessories running faster than their rated speed can break and fly apart.*
- e) **The outside diameter and the thickness of your accessory must be within the capacity rating of your power tool.** *Incorrectly sized accessories cannot be adequately guarded or controlled.*
- f) **Threaded mounting of accessories must match the grinder spindle thread.** **For accessories mounted by flanges, the arbour hole of the accessory must fit the locating diameter of the flange.** *Accessories that do not match the mounting hardware of the power tool will run out of balance, vibrate excessively and may cause loss of control.*
- g) **Do not use a damaged accessory. Before each use inspect the accessory such as abrasive wheels for chips and cracks, backing pad for cracks, tear or excess wear, wire brush for loose or cracked wires.** **If power tool or accessory is dropped, inspect for damage or install an undamaged accessory.** **After inspecting and installing an accessory, position yourself and bystanders away from the plane of the rotating accessory and run the power tool at maximum no-load speed for one minute.** *Damaged accessories will normally break apart during this test time.*
- h) **Wear personal protective equipment.** **Depending on application, use face shield, safety goggles or safety glasses.** **As appropriate, wear dust mask, hearing protectors, gloves and workshop apron capable of stopping small abrasive or workpiece fragments.** *The eye protection must be capable of stopping flying debris generated by various operations. The dust mask or respirator must be capable of filtering particles generated by your operation. Prolonged exposure to high intensity noise may cause hearing loss.*
- i) **Keep bystanders a safe distance away from work area. Anyone entering the work area must wear personal protec-**



**tive equipment.** *Fragments of workpiece or of a broken accessory may fly away and cause injury beyond immediate area of operation.*

- j) **Hold the power tool by insulated gripping surfaces only, when performing an operation where the cutting accessory may contact hidden wiring or its own cord.** *Cutting accessory contacting a "live" wire may make exposed metal parts of the power tool "live" and could give the operator an electric shock.*
- k) **Position the cord clear of the spinning accessory.** *If you lose control, the cord may be cut or snagged and your hand or arm may be pulled into the spinning accessory.*
- l) **Never lay the power tool down until the accessory has come to a complete stop.** *The spinning accessory may grab the surface and pull the power tool out of your control.*
- m) **Do not run the power tool while carrying it at your side.** *Accidental contact with the spinning accessory could snag your clothing, pulling the accessory into your body.*
- n) **Regularly clean the power tool's air vents.** *The motor's fan will draw the dust inside the housing and excessive accumulation of powdered metal may cause electrical hazards.*
- o) **Do not operate the power tool near flammable materials.** *Sparks could ignite these materials.*
- p) **Do not use accessories that require liquid coolants.** *Using water or other liquid coolants may result in electrocution or shock.*
- **The tool must be used only for its prescribed purpose. Any use other than those mentioned in this Instruction will be considered a case of misuse.** *The user and not the manufacturer shall be liable for any damage or injury resulting from such cases of misuse.*
- **The manufacturer shall not be liable for any changes made to the tool nor for any damage resulting from such changes.**
- **When operating in dusty environment, the ventilation slots must be kept clean.** *If it should become necessary to clear dust, first disconnect the tool from the mains supply (use non metallic objects to clean the dust) and avoid damaging internal parts. The power tool will over-*

*heat under deteriorated cooling due to the clogged with dust ventilation slots.*

## **Further safety instructions for all operations**

### **Kickback and Related Warnings**

Kickback is a sudden reaction to a pinched or snagged rotating wheel, backing pad, brush or any other accessory. Pinching or snagging causes rapid stalling of the rotating accessory which in turn causes the uncontrolled power tool to be forced in the direction opposite of the accessory's rotation at the point of the binding.

For example, if an abrasive wheel is snagged or pinched by the workpiece, the edge of the wheel that is entering into the pinch point can dig into the surface of the material causing the wheel to climb out or kick out. The wheel may either jump toward or away from the operator, depending on direction of the wheel's movement at the point of pinching. Abrasive wheels may also break under these conditions.

Kickback is the result of power tool misuse and/or incorrect operating procedures or conditions and can be avoided by taking proper precautions as given below.

- a) **Maintain a firm grip on the power tool and position your body and arm to allow you to resist kickback forces. Always use auxiliary handle, if provided, for maximum control over kickback or torque reaction during start-up.** *The operator can control torque reactions or kickback forces, if proper precautions are taken.*
- b) **Never place your hand near the rotating accessory.** *Accessory may kickback over your hand.*
- c) **Do not position your body in the area where power tool will move if kickback occurs.** *Kickback will propel the tool in direction opposite to the wheel's movement at the point of snagging.*
- d) **Use special care when working corners, sharp edges etc. Avoid bouncing and snagging the accessory.** *Corners, sharp edges or bouncing have a tendency to snag the rotating accessory and cause loss of control or kickback.*
- e) **Do not attach a saw chain woodcarving blade or toothed saw blade.** *Such blades create frequent kickback and loss of control.*



- Fix the machined piece in vice or in another appropriate way.

### Safety Warnings Specific for Grinding and Abrasive Cutting-Off Operations:

- Use only wheel types that are recommended for your power tool and the specific guard designed for the selected wheel. *Wheels for which the power tool was not designed cannot be adequately guarded and are unsafe.*
- The grinding surface of centre depressed wheels must be mounted below the plane of the guard lip. *An improperly mounted wheel that projects through the plane of the guard lip cannot be adequately protected.*
- The guard must be securely attached to the power tool and positioned for maximum safety, so the least amount of wheel is exposed towards the operator. *The guard helps to protect the operator from broken wheel fragments, accidental contact with wheel and sparks that could ignite clothing.*
- Wheels must be used only for recommended applications. For example: do not grind with the side of cut-off wheel. *Abrasive cut-off wheels are intended for peripheral grinding, side forces applied to these wheels may cause them to shatter.*
- Always use undamaged wheel flanges that are of correct size and shape for your selected wheel. Proper wheel flanges support the wheel thus reducing the possibility of wheel breakage. *Flanges for cut-off wheels may be different from grinding wheel flanges.*
- Do not use worn down wheels from larger power tools. *Wheel intended for larger power tool is not suitable for the higher speed of a smaller tool and may burst.*
  - Always pay attention to the wheel rotation direction. *The torque reaction is in the opposite direction of the rotation direction at the point of binding and this is a prerequisite to loosing control of the power tool.*
  - Always guide the machine in such a way that sparks and dust can scatter away from your body. *Power tools generate sparks which may burn your clothes or unprotected parts of your body.*
  - Grinding and cutting-off operations on freshly painted metal structures is not allowed before the paint has become dry. *There is a risk of damp paint ignition.*

- Cutting of flammable materials (wood, plastics, etc.) and panel structures “sandwich” type with flammable filling is not allowed. *There is a risk of fire.*
- Grinding and cutting-off operations on equipment operating under pressure is not allowed. *There is a risk of explosion.*
- Grinding and cutting-off operations of reservoirs, pipelines, equipment, etc., containing at present or having contained flammable or easily ignitable substances or materials is not allowed without first taking special precautions to prevent fire and explosion. *There is a risk of fire and explosion.*

### Additional Safety Warnings Specific for Abrasive Cutting-Off Operations:

- Do not “jam” the cut-off wheel or apply excessive pressure. Do not attempt to make an excessive depth of cut. *Over-stressing the wheel increases the loading and susceptibility to twisting or binding of the wheel in the cut and the possibility of kickback or wheel breakage.*
- Do not position your body in line with and behind the rotating wheel. *When the wheel, at the point of operation, is moving away from your body, the possible kickback may propel the spinning wheel and the power tool directly at you.*
- When wheel is binding or when interrupting a cut for any reason, switch off the power tool and hold the power tool motionless until the wheel comes to a complete stop. Never attempt to remove the cut-off wheel from the cut while the wheel is in motion otherwise kickback may occur. *Investigate and take corrective action to eliminate the cause of wheel binding.*
- Do not restart the cutting operation in the workpiece. Let the wheel reach full speed and carefully re-enter the cut. *The wheel may bind, walk up or kickback if the power tool is restarted in the workpiece.*
- Support panels or any oversized workpiece to minimize the risk of wheel pinching and kickback. Large workpieces tend to sag under their own weight. *Supports must be placed under the workpiece near the line of cut and near the edge of the workpiece on both sides of the wheel.*
- Use extra caution when making a “pock-cut” into existing walls or other blind

areas. *The protruding wheel may cut gas or water pipes, electrical wiring or objects that can cause kickback.*

### Safety Warnings Specific for Sanding Operations:

- a) **Do not use excessively oversized sanding disc paper. Follow manufacturer's recommendations, when selecting sanding paper.** *Larger sanding paper extending beyond the sanding pad presents a laceration hazard and may cause snagging, tearing of the disc or kickback.*

### Safety Warnings Specific for Polishing Operations:

- a) **Do not allow any loose portion of the polishing bonnet or its attachment strings to spin freely. Tuck away or trim any loose attachment strings.** *Loose and spinning attachment strings can entangle your fingers or snag on the workpiece.*

### Safety Warnings Specific for Wire Brushing Operations:

- a) **Be aware that wire bristles are thrown by the brush even during ordinary operation.** *Do not overstress the wires by applying excessive load to the brush. The wire bristles can easily penetrate light clothing and/or skin.*
- b) **If the use of a guard is recommended for wire brushing, do not allow any interference of the wire wheel or brush with the guard.** *Wire wheel or brush may expand in diameter due to work load and centrifugal forces.*

## Know your product

Before using the power tool, familiarize yourself with all the operating features and safety requirements.

Use the tool and accessories only for the applications intended. All other applications are expressly ruled out.

1. Spindle
- 2.1. Wheel guard for grinding wheel
- 2.2. Wheel guard for cutting wheel\*
3. Support flange
- 4.1. Grinding wheel (Use only with a wheel guard for grinding wheel!)\*
- 4.2. Cutting wheel (Use only with a wheel guard for cutting wheel!)\*
5. Fixing flange

6. Auxiliary handle
7. ON/OFF switch
8. Electronic regulator of rotation speed (M 750E HD Compact)
9. Spindle lock button

### ACCESSORIES TO BE USED WITH THIS POWER TOOL

10. Wire cup brush\*
11. Plastic (rubber) backing pad\*
12. Sandpaper or polishing bonnet\*
13. Lock nut\*

\* The additional accessories shown in the illustrations or described in the text are not included in the delivery.

## Operation

These power tools are supplied from single-phase alternating current mains only. They are double insulated according to EN 60745, IEC 60745-1 and can be connected to grounded or not grounded sockets. This power tool is radio suppressed in compliance with EMC Directive. This power tool is designed for cutting, grinding and brushing mainly metals without using water.

### PRIOR TO INITIAL OPERATION

- The machine may be delivered with the wheel guard mounted at the factory. Ensure that the wheel guard is mounted properly and fixed reliably prior to the initial and any following operation.
- The machine may be delivered with the wheel mounted at the factory. Ensure that the wheel is mounted properly and fixed reliably prior to the initial and any following operation.
- Make sure the power supply voltage corresponds to the value indicated on the name plate with technical data of the tool.
- Always check the position of ON/OFF switch. The power tool must be connected to the power supply socket only when this switch is in OFF position. If the plug is connected to a receptacle while the power switch is in the ON position, the power tool will start operating immediately, which could cause a serious accident.
- Make sure that the cord and the plug are in order. If the replacement of the supply cord is necessary, this has to be done by the manufacturer or his agent in order to avoid a safety hazard.



**WARNING:** Always switch off and unplug the power tool prior to any adjustment, servicing or maintenance.

- When using diamond cutting discs, pay attention that the direction-of-rotation arrow on the diamond cutting disc and the direction of rotation of the machine (see direction-of-rotation arrow on the machine head) agree.
- Make sure the grinding wheel diameter and thickness do not exceed the values specified on the name plate. The peripheral speed indicated on the wheel must not be less than 80 m/s. The wheels must be stored according the recommendations of the manufacturer.
- In case the work area is remote from the power source, use as short as practicable extension cord with proper cross-section.
- Check that the auxiliary handle is properly mounted and reliably tightened.

### **SWITCHING ON - SWITCHING OFF**

Switching on: Push the back end of the ON/OFF switch 7 down and then forward in the direction of the arrow until its front end will sag, thus fixing itself.

Switching off: press the back, lifted end of switch 7 and release it to return in its initial position.

### **ADJUSTING THE ROTATION SPEED (M 750E HD Compact)**

Continuous operation at low rpm is not recommended for the following machines: M 750E HD Compact.

The rotation speed can be varied smoothly by turning electronic regulator 8, placed on the rear of the grinder. In the table below the recommended regulator positions for the different areas of applications are specified:

<b>Area of application</b>	<b>Regulator position</b>
1. Plastics grinding with plastic disk and abrasive cloth (paper)	<b>A - C</b>
2. Wood grinding and removing lacquer and dye coatings	<b>B - D</b>
3. Metal grinding with plastic disk and abrasive cloth (paper)	<b>C - F</b>
4. Dust removing with cup brush	<b>D - F</b>
5. Rough cleaning, metal or stone cutting	<b>G</b>
6. Polishing with plastic disk and polishing jacket	<b>A - B</b>

Models M 750E HD Compact are equipped with full-wave electronics for

- Soft start and restriction of the starting current;
- Speed pre-selection and control.

### **WHEEL GUARD**



**WARNING:** The wheel guard 2.1 for grinding wheel or the wheel guard 2.2 for cutting wheel (for grinding wheel 4.1 or cutting wheel 4.2 accordingly) must always be mounted on the machine!

Its position can be different and depends on which side the auxiliary handle is placed, as well as when the machine is mounted on a stand.

### **GRINDING WHEEL REPLACEMENT**

Secure spindle 1 by depressing the spindle lock button 9 provided on the gear case.



**WARNING:** Never press button 9 while the spindle is still rotating!

(With this button depressed turn the spindle till its pronounced going deeper). Unscrew the fixing flange 5 by a lock nut wrench. Place the new wheel on the support flange 3 with the inscriptions facing up, and screw down flange 5 facing its flat side towards the wheel, using the lock nut wrench. Use blotters if the wheel has been delivered with them. After replacing the wheel operate the machine with the new wheel in no load mode for one minute. Vibrating or otherwise improperly rotating wheels must be replaced immediately and discarded.

Cup brushes 10 are screwed directly on spindle 1 by means of an open-end spanner. (Check if the brush thread length is sufficient to accept the spindle thread.)

Grinding and polishing with abrasive sanding disks is accomplished by means of plastic rubber backing disk (pad) 11, under which sanding disks and polishing jackets 12 are mounted. Place plastic backing pad 11 on the support flange 3 and secure it with lock nut 13, delivered with the tool. In case the flexible backing pad is equipped with a flange, the pad is screwed directly onto the spindle by a wrench without using the fixing flange 5. The pad with flange may be a resin filled sponge, foam polyurethane sponge with plastic insert for the nut with hook-and-loop fastening to the sandpaper or the bonnet. After replacing the pad perform a trial run for one minute at no load. Vibrating or otherwise

improperly rotating pads must be replaced immediately.

## **MOUNTING THE WHEEL GUARD**

Before performing the following operations, switch the machine off and withdraw the plug from the socket.

### **Mounting the wheel guard (Fig. 1)**

- Rotate the black plastic ring (Fig. 2), so that the crevice S of the ring coincides with the groove for the tooth of the fixing lever L.

- Place the wheel guard in non-operating position (Fig.2) so that the four teeth coincide with the four grooves in the bearing seat (Fig.3).

- Press the wheel guard down and rotate it clockwise to the necessary operating position where the wheel guard is fixed by lever L.

### **Rotating the wheel guard in a new operating position**

- Rotate the wheel guard clockwise only to the necessary operating position where the wheel guard is fixed by lever L (Fig.4).

### **Removing the wheel guard**

- Rotate the wheel guard in non-operating position (Fig.3) so that the four teeth coincide with the four grooves in the bearing seat, and then draw it upwards (Fig.2).

## **AUXILIARY HANDLE**

Normally auxiliary handle 6 is screwed on the machine left side. It can be mounted also on the machine right side if this is more convenient for the operator.

## **TURNING THE MACHINE CASE**

The machine case can be turned to 90° or to 180°. The first way of mounting is implemented when the machine is used mainly for cutting, and the second - in case the operator works better with his left hand. In both cases the case turning must be carried out in a specialised service centres for SPARKY power tools.

## **RECOMMENDATIONS**

When cutting, do not apply pressure, do not oscillate the wheel. Work with moderate feed rate, suited to the material to be machined.

The direction of cutting is very significant. The machine must always be fed against the direction of wheel rotation. Otherwise, danger exists for the wheel to be forced uncontrolled out of the cut.

When cutting profiles or rectangular pipes it is

best to start with the smallest cross section.

When grinding do not apply pressure to the processed surface by rearing down on the machine but move the wheel regularly backwards and forwards. Special wheels shall be used for processing non-ferrous metals. Best results when roughing can be achieved with the wheel inclined at 30° to 40° to the processed surface. Never use cutting wheels for roughing operations. Usage of wheels thicker than 6 mm is not recommended.

## **Maintenance**



**WARNING:** Always ensure that the tool is switched off and unplugged before attempting to perform inspection or maintenance.

## **BRUSH REPLACEMENT**

When the carbon brushes are worn out, the machine switches itself off. In this case both brushes must be replaced simultaneously with genuine brushes at SPARKY service centre for warranty and post-warranty service.

## **GENERAL INSPECTION**

Regularly inspect all fasteners and ensure they are properly tightened. Should any of the screws be loose, retighten it immediately to avoid hazards.

If the replacement of the supply cord is necessary, this has to be done by the manufacturer or his agent in order to avoid a safety hazard.

## **CLEANING**

For safe operation always keep the machine and its ventilation slots clean.

Regularly check to see if any dust or foreign matter has entered the ventilation slots and the grills around the switches. Use a soft brush and/or air jet to remove any accumulated dust. Wear safety glasses to protect your eyes whilst cleaning.

Exterior plastic parts may be cleaned with a damp cloth and mild detergent if necessary.

When operating in heavily dusty environment (cutting stone) the ventilation slots and the switch slider of the machine running at no load must be obligatory cleaned after each shift (every 8 h operation) by compressed air or by gently tapping it near the ventilation slots with non-metal object (Fig.6a,6b).



**WARNING:** Never use alcohol, petrol or other cleaning agent. Never use caustic agents to clean plastic parts.



**WARNING:** Water must never come into contact with the tool.

**IMPORTANT!** To assure product safety and reliability, repairs, maintenance and adjustment (including brush inspection and replacement) should be performed by certified service centres or other qualified service organisations, always using genuine replacement parts.

## Warranty

---

The guarantee period for SPARKY power tools is determined in the guarantee card.

Faults due to normal wear, overloading or improper handling will be excluded from the guarantee.

Faults due to defective materials implemented as well as defects in workmanship will be corrected free of charge through replacement or repair.

The complaints for defective SPARKY power tools will be recognized if the machine is sent back to the dealer or is presented to the authorised warranty service centre undismantled, in its initial condition.

## Notes

---

Carefully read the entire Instruction Manual before using this product.

The manufacturer reserves the right to make changes and improvements to the products and to alter specifications without prior notice.

Specifications may differ from country to country.

# Inhaltsverzeichnis

Einführung .....	12
Technische Daten .....	14
Allgemeine Sicherheitshinweise für Elektrowerkzeuge.....	15
Zusätzliche Anleitungen für Sicherheit bei Arbeiten mit Winkelschleifern .....	16
Elemente des Elektrowerkzeugs.....	A/20
Betriebshinweise.....	B/20
Wartung .....	22
Garantie .....	23

## AUSPACKEN

Überprüfen Sie unmittelbar nach dem Auspacken ob sämtliche Bestandteile und das beschriebene Zubehör mitgeliefert wurden. Sollte dies nicht der Fall sein, wenden Sie sich bitte umgehend an Ihren Fachhändler bei dem das Elektrowerkzeug gekauft wurde. Dies trifft auch dann zu, wenn Sie den Eindruck haben mit dem Gerät ist etwas nicht in Ordnung. Eine Nichtbeachtung dieser Empfehlung kann zu schweren Unfällen führen.

## ZUSAMMENBAU

Der Winkelschleifer wird verpackt und vollständig montiert, mit Ausnahme des Zusatzhandgriffes und der Schutzhaube, geliefert.

## Einführung

---

Das von Ihnen erworbene Elektrowerkzeug wird Ihre Erwartungen übersteigen. Es ist gemäß den hohen Qualitätsstandards von SPARKY hergestellt, die den strengen Anforderungen des Verbrauchers entsprechen. Einfach in der Bedienung und ungefährlich bei richtiger Handhabung, wird dieses Gerät bei bestimmungsgemäßem Gebrauch Ihnen lange Jahre zuverlässig dienen.

### WARNUNG!



Lesen Sie die ganze Originalbetriebsanleitung aufmerksam durch, bevor Sie das neu erworbene SPARKY – Elektrowerkzeug in Betrieb nehmen. Beachten Sie besonders die Texte, die mit dem Wört „Warnung“ beginnen. Ihr SPARKY - Elektrowerkzeug besitzt viele Eigenschaften, die Ihre Arbeit erleichtern werden. Bei der Entwicklung dieses Elektrowerkzeuges ist höchste Aufmerksamkeit der Sicherheit, den Betriebseigenschaften und der Zuverlässigkeit gewidmet worden, die es einfach zur Wartung und Bedienung machen.



### **Keine elektrischen Geräte zusammen mit dem Hausmüll wegwerfen!**

Die Abfälle von elektrischen Erzeugnissen sollen nicht zusammen mit dem Hausmüll gesammelt werden. Für eine umweltgerechte Entsorgung geben Sie Ihren alten / defekten Elektrogeräte bitte in der nächsten kommunalen Sammelstelle ab.

### UMWELTSCHUTZ



Angesichts des Umweltschutzes sollen das Elektrowerkzeug, die Zubehörteile und die Verpackung einer geeigneten Wiederverwertung zugeführt werden.

Zum sortenreinen Recycling sind die Teile, hergestellt aus Kunststoffen, entsprechend gekennzeichnet.



## BEDEUTUNG DER SYMBOLE

Auf dem Typenschild des Elektrowerkzeuges sind spezielle Symbole dargestellt. Sie stellen wichtige Information über das Produkt oder Instruktionen für seine Nutzung dar.



Doppelte Isolierung für zusätzlichen Schutz.



Spindelgewinde: M14



Entspricht den einschlägigen Europäischen Richtlinien.



Entspricht den Anforderungen der Zollunion-Regelungen.



Entspricht den Anforderungen der ukrainischen normativen Dokumenten.



Lesen Sie die Originalbetriebsanleitung.



Tragen Sie immer eine Schutzbrille.

YYYY-Www      Zeitabschnitt der Produktion, wobei die variablen Symbole sind:  
YYYY - Kalenderjahr der Produktion,  
ww - laufende Kalenderwoche.

M                  Winkelschleifer.

# Technische Daten

Modell	M750 HD Compact	M750E HD Compact
Aufnahmeleistung	750 W	750 W
Bemessungsdrehzahl	10500 min <sup>-1</sup>	3500-10500 min <sup>-1</sup>
Anschlußgewinde der Spindel	M14	M14
Gewindelänge der Spindel	20 mm	20 mm
Innendurchmesser der Schleifscheibe	22,23 mm	22,23 mm
Max Durchmesser der Schleifscheibe	125 mm	125 mm
Max Stärke der Schleifscheibe	6 mm	6 mm
Gewicht (EPTA Prozedur 01/2014)	1,8 kg	1,9 kg
Schutzklasse (EN 60745-1) 	II	II
<b>GERÄUSCH-/VIBRATIONSinFORMATION</b>		
Messwerte ermittelt entsprechend EN 60745.		
<b>Geräuschemissionswerte</b>		
Der A-bewertete Schalldruckpegel L <sub>pA</sub>	86 dB(A)	85 dB(A)
Messunsicherheit K <sub>pA</sub>	3 dB(A)	3 dB(A)
Der A-bewertete Schalleistungspegel L <sub>WA</sub>	97 dB(A)	96 dB(A)
Messunsicherheit K <sub>WA</sub>	3 dB(A)	3 dB(A)
<b>Gehörschutz tragen!</b>		
<b>Schwingungsemissionswerte *</b>		
Schwingungsgesamtwerte (Vektorsumme dreier Richtungen) ermittelt entsprechend EN 60745:		
Schleifen von Oberflächen		
Schwingungsemissionswert a <sub>hAG</sub>	10,8 m/s <sup>2</sup>	10,6 m/s <sup>2</sup>
Messunsicherheit K <sub>AG</sub>	1,5 m/s <sup>2</sup>	1,5 m/s <sup>2</sup>
Schleifen mit Schleifleinen		
Schwingungsemissionswert a <sub>h,DS</sub>		<2,5 m/s <sup>2</sup>
Messunsicherheit K <sub>DS</sub>		1,5 m/s <sup>2</sup>
* Vibrationen ermittelt nach Pkt. 6.2.7 der EN 60745.		

Der in diesen Anweisungen angegebene Schwingungspegel ist entsprechend einem in EN 60745 genormten Messverfahren gemessen worden und kann für den Vergleich von Elektrowerkzeugen miteinander verwendet werden. Er eignet sich auch für eine vorläufige Einschätzung der Schwingungsbelastung.

Der angegebene Schwingungspegel repräsentiert die hauptsächlichsten Anwendungen des Elektrowerkzeugs. Wenn allerdings das Elektrowerkzeug für andere Anwendungen, mit abweichenden Einsatzwerkzeugen oder ungenügender Wartung eingesetzt wird, kann der Schwingungspegel abweichen. Dies kann die Schwingungsbelastung über den gesamten Arbeitszeitraum deutlich erhöhen.

Für eine genaue Abschätzung der Schwingungsbelastung sollten auch die Zeiten berücksichtigt werden, in denen das Gerät abgeschaltet ist oder zwar läuft, aber nicht tatsächlich im Einsatz ist. Dies kann die Schwingungsbelastung über den gesamten Arbeitszeitraum deutlich reduzieren.

Pflegen Sie das Gerät und die Einsatzwerkzeuge mit Sorgfalt. Halten Sie Ihre Hände warm während der Arbeit - dies wird die schädliche Einwirkung erhöhter Schwingungen reduzieren.

Bei anderen Arbeiten, z.B. Schleifen mit Abrasivscheiben oder Reinigung mit Drahtbürste können die Schwingungsemissionen auch andere Werte haben.

Stäube von Materialien wie bleihaltigem Anstrich, einigen Holzarten, Mineralien und Metall können gesundheitsschädlich sein. Berühren oder Einatmen der Stäube können allergische Reaktionen und/oder Atemwegserkrankungen des Benutzers oder in der Nähe befindlicher Personen hervorrufen.

Bestimmte Stäube wie Eichen- oder Buchenstaub gelten als krebserzeugend, besonders in Verbindung mit Zusatzstoffen zur Holzbehandlung (Chromat, Holzschutzmittel). Asbesthaltiges Material darf nur von Fachleuten bearbeitet werden.

- Benutzen Sie möglichst eine Staubabsaugung.
- Sorgen Sie für gute Belüftung des Arbeitsplatzes.
- Es wird empfohlen, eine Atemschutzmaske mit Filterklasse P2 zu tragen.

Beachten Sie in Ihrem Land gültige Vorschriften für die zu bearbeitenden Materialien.

# Allgemeine Sicherheitshinweise für Elektrowerkzeuge



**WARNUNG:** Lesen Sie alle Sicherheitshinweise und Anweisungen. Versäumnisse bei der Einhaltung der Sicherheitshinweise und Anweisungen können elektrischen Schlag, Brand und/oder schwere Verletzungen verursachen.

**Bewahren Sie alle Sicherheitshinweise und Anweisungen für die Zukunft auf.**

Der in den Sicherheitshinweisen verwendete Begriff „Elektrowerkzeug“ bezieht sich auf netzbetriebene Elektrowerkzeuge (mit Netzkabel) und auf akkubetriebene Elektrowerkzeuge (ohne Netzkabel).

## 1) Arbeitsplatzsicherheit

- Halten Sie Ihren Arbeitsbereich sauber und gut beleuchtet.** Unordnung oder unbeleuchtete Arbeitsbereiche können zu Unfällen führen.
- Arbeiten Sie mit dem Elektrowerkzeug nicht in explosionsgefährdeter Umgebung, in der sich brennbare Flüssigkeiten, Gase oder Stäube befinden.** Elektrowerkzeuge erzeugen Funken, die den Staub oder die Dämpfe entzünden können.
- Halten Sie Kinder und andere Personen während der Benutzung des Elektrowerkzeugs fern.** Bei Ablenkung können Sie die Kontrolle über das Gerät verlieren.

## 2) Elektrische Sicherheit

- Der Anschlussstecker des Elektrowerkzeugs muss in die Steckdose passen.** Der Stecker darf in keiner Weise verändert werden. Verwenden Sie keine Adapterstecker gemeinsam mit Schutzgeerdeten Elektrowerkzeugen. Unveränderte Stecker und passende Steckdosen verringern das Risiko eines elektrischen Schlages.
- Vermeiden Sie Körperkontakt mit geerdeten Oberflächen wie von Rohren, Heizungen, Herden und Kühlschränken.** Es besteht ein erhöhtes Risiko durch elektrischen Schlag, wenn Ihr Körper geerdet ist.
- Halten Sie Elektrowerkzeuge von Regen oder Nässe fern.** Das Eindringen von Wasser in ein Elektrowerkzeug erhöht das Risiko eines elektrischen Schlages.

- Zweckentfremden Sie das Kabel nicht, um das Elektrowerkzeug zu tragen, aufzuhängen oder um den Stecker aus der Steckdose zu ziehen.** Halten Sie das Kabel fern von Hitze, Öl, scharfen Kanten oder sich bewegenden Geräteteilen. Beschädigte oder verwickelte Kabel erhöhen das Risiko eines elektrischen Schlages.
- Wenn Sie mit einem Elektrowerkzeug im Freien arbeiten, verwenden Sie nur Verlängerungskabel, die auch für den Außenbereich geeignet sind.** Die Anwendung eines für den Außenbereich geeigneten Verlängerungskabels verringert das Risiko eines elektrischen Schlages.
- Wenn der Betrieb des Elektrowerkzeuges in feuchter Umgebung nicht vermeidbar ist, verwenden Sie einen Fehlerstromschutzschalter.** Der Einsatz eines Fehlerstromschutzschalters vermindert das Risiko eines elektrischen Schlages.

## 3) Sicherheit von Personen

- Seien Sie aufmerksam, achten Sie darauf, was Sie tun, und gehen Sie mit Vernunft an die Arbeit mit einem Elektrowerkzeug.** Benutzen Sie kein Elektrowerkzeug, wenn Sie müde sind oder unter dem Einfluss von Drogen, Alkohol oder Medikamenten stehen. Ein Moment der Unachtsamkeit beim Gebrauch des Elektrowerkzeuges kann zu ernsthaften Verletzungen führen.
- Tragen Sie persönliche Schutzausrüstung und immer eine Schutzbrille.** Das Tragen persönlicher Schutzausrüstung, wie Staubmaske, rutschfeste Sicherheitsschuhe, Schutzhelm oder Gehörschutz, je nach Art und Einsatz des Elektrowerkzeuges, verringert das Risiko von Verletzungen.
- Vermeiden Sie eine unbeabsichtigte Inbetriebnahme.** Vergewissern Sie sich, dass das Elektrowerkzeug ausgeschaltet ist, bevor Sie es an die Stromversorgung und/oder den Akku anschließen, es aufnehmen oder tragen. Wenn Sie beim Tragen des Elektrowerkzeuges den Finger am Schalter haben oder das Gerät eingeschaltet an die Stromversorgung anschließen, kann dies zu Unfällen führen.
- Entfernen Sie Einstellwerkzeuge oder Schraubenschlüssel, bevor Sie das Elektrowerkzeug einschalten.** Ein Werkzeug oder Schlüssel, der sich in einem drehenden Geräteteil befindet, kann zu Verletzungen führen.

- e) **Vermeiden Sie eine abnormale Körperhaltung.** Sorgen Sie für einen sicheren Stand und halten Sie jederzeit das Gleichgewicht. Dadurch können Sie das Elektrowerkzeug in unerwarteten Situationen besser kontrollieren.
  - f) **Tragen Sie geeignete Kleidung.** Tragen Sie keine weite Kleidung oder Schmuck. Halten Sie Haare, Kleidung und Handschuhe fern von sich bewegenden Teilen. Lockere Kleidung, Schmuck oder lange Haare können von sich bewegenden Teilen erfasst werden.
  - g) **Wenn Staubabsaug- und -auffangeinrichtungen montiert werden können, vergewissern Sie sich, dass diese angeschlossen sind und richtig verwendet werden.** Verwendung einer Staubabsaugung kann Gefährdungen durch Staub verringern.
- 4) Verwendung und Behandlung des Elektrowerkzeuges**

- a) **Überlasten Sie das Gerät nicht.** Verwenden Sie für Ihre Arbeit das dafür bestimmte Elektrowerkzeug. Mit dem passenden Elektrowerkzeug arbeiten Sie besser und sicherer im angegebenen Leistungsbereich.
- b) **Benutzen Sie kein Elektrowerkzeug, dessen Schalter defekt ist.** Ein Elektrowerkzeug, das sich nicht mehr ein- oder ausschalten lässt, ist gefährlich und muss repariert werden.
- c) **Ziehen Sie den Stecker aus der Steckdose und/oder entfernen Sie den Akku, bevor Sie Geräteeinstellungen vornehmen, Zubehörteile wechseln oder das Gerät weglegen.** Diese Vorsichtsmaßnahme verhindert den unbeabsichtigten Start des Elektrowerkzeuges.
- d) **Bewahren Sie unbenutzte Elektrowerkzeuge außerhalb der Reichweite von Kindern auf.** Lassen Sie Personen das Gerät nicht benutzen, die mit diesem nicht vertraut sind oder diese Anweisungen nicht gelesen haben. Elektrowerkzeuge sind gefährlich, wenn Sie von unerfahrenen Personen benutzt werden.
- e) **Pflegen Sie Elektrowerkzeuge mit Sorgfalt.** Kontrollieren Sie, ob bewegliche Teile einwandfrei funktionieren und nicht klemmen, ob Teile gebrochen oder so beschädigt sind, dass die Funktion des Elektrowerkzeuges beeinträchtigt ist. Lassen Sie beschädigte Teile vor dem Einsatz des Gerätes reparieren. Vie-

le Unfälle haben ihre Ursache in schlecht gewarteten Elektrowerkzeugen.

- f) **Halten Sie Schneidwerkzeuge scharf und sauber.** Sorgfältig gepflegte Schneidwerkzeuge mit scharfen Schneidkanten verklemmen sich weniger und sind leichter zu führen.
  - g) **Verwenden Sie Elektrowerkzeug, Zubehör, Einsatzwerkzeuge usw. entsprechend diesen Anweisungen.** Berücksichtigen Sie dabei die Arbeitsbedingungen und die auszuführende Tätigkeit. Der Gebrauch von Elektrowerkzeugen für andere als die vorgesehenen Anwendungen kann zu gefährlichen Situationen führen.
- 5) Service**
- a) **Lassen Sie Ihr Elektrowerkzeug nur von qualifiziertem Fachpersonal und nur mit Original-Ersatzteilen reparieren.** Damit wird sichergestellt, dass die Sicherheit des Elektrowerkzeuges erhalten bleibt.

## Zusätzliche Anleitungen für Sicherheit bei Arbeiten mit Winkelschleifern

---

**Gemeinsame Sicherheitshinweise zum Schleifen, Sandpapierschleifen, Arbeiten mit Drahtbürsten, Polieren und Trennschleifen:**

- a) **Dieses Elektrowerkzeug ist zu verwenden als Schleifer, Sandpapierschleifer, Drahtbürste, Polierer und Trennschleifmaschine.** Beachten Sie alle Sicherheitshinweise, Anweisungen, Darstellungen und Daten, die Sie mit dem Gerät erhalten. Wenn Sie die folgenden Anweisungen nicht beachten, kann es zu elektrischem Schlag, Feuer und/oder schweren Verletzungen kommen.
- b) **Dieses Elektrowerkzeug ist nicht geeignet zum Polieren.** Verwendungen, für die das Elektrowerkzeug nicht vorgesehen ist, können Gefährdungen und Verletzungen verursachen. (M 750 HD Compact)
- c) **Verwenden Sie kein Zubehör, das vom Hersteller nicht speziell für dieses Elektrowerkzeug vorgesehen und empfohlen wurde.** Nur weil Sie das Zubehör an Ihrem Elektrowerkzeug befestigen können, garantiert das keine sichere Verwendung.

- d) Die zulässige Drehzahl des Einsatzwerkzeugs muss mindestens so hoch sein wie die auf dem Elektrowerkzeug angegebene Höchstdrehzahl. Zubehör, das sich schneller als zulässig dreht, kann zerbrechen und umherfliegen.
- e) Außendurchmesser und Dicke des Einsatzwerkzeugs müssen den Maßangaben Ihres Elektrowerkzeugs entsprechen. Falsch bemessene Einsatzwerkzeuge können nicht ausreichend abgeschirmt oder kontrolliert werden.
- f) Einsatzwerkzeuge mit Gewindeeinsatz müssen genau auf das Gewinde der Schleifspindel passen. Bei Einsatzwerkzeugen, die mittels Flansch montiert werden, muss der Lochdurchmesser des Einsatzwerkzeugs zum Aufnahmedurchmesser des Flansches passen. Einsatzwerkzeuge, die nicht genau am Elektrowerkzeug befestigt werden, drehen sich ungleichmäßig, vibrieren sehr stark und können zum Verlust der Kontrolle führen.
- g) Verwenden Sie keine beschädigten Einsatzwerkzeuge. Kontrollieren Sie vor jeder Verwendung Einsatzwerkzeuge wie Schleifscheiben auf Absplitterungen und Risse, Schleifteller auf Risse, Verschleiß oder starke Abnutzung, Drahtbürsten auf lose oder gebrochene Drähte. Wenn das Elektrowerkzeug oder das Einsatzwerkzeug herunterfällt, überprüfen Sie, ob es beschädigt ist, oder verwenden Sie ein unbeschädigtes Einsatzwerkzeug. Wenn Sie das Einsatzwerkzeug kontrolliert und eingesetzt haben, halten Sie und in der Nähe befindliche Personen sich außerhalb der Ebene des rotierenden Einsatzwerkzeugs auf und lassen Sie das Gerät eine Minute lang mit Höchstdrehzahl laufen. Beschädigte Einsatzwerkzeuge brechen meist in dieser Testzeit.
- h) Tragen Sie persönliche Schutzausrüstung. Verwenden Sie je nach Anwendung Vollgesichtsschutz, Augenschutz oder Schutzbrille. Soweit angemessen, tragen Sie Staubmaske, Gehörschutz, Schutzhandschuhe oder Spezialschürze, die kleine Schleif- und Materialpartikel von Ihnen fernhält. Die Augen sollen vor herumfliegenden Fremdkörpern geschützt werden, die bei verschiedenen Anwendungen entstehen. Staub- oder

Atemschutzmaske müssen den bei der Anwendung entstehenden Staub filtern. Wenn Sie lange lautem Lärm ausgesetzt sind, können Sie einen Hörverlust erleiden.

- i) Achten Sie bei anderen Personen auf sicheren Abstand zu Ihrem Arbeitsbereich. Jeder, der den Arbeitsbereich betritt, muss persönliche Schutzausrüstung tragen. Bruchstücke des Werkstücks oder gebrochener Einsatzwerkzeuge können wegfiegen und Verletzungen auch außerhalb des direkten Arbeitsbereichs verursachen.
- j) Halten Sie das Gerät nur an den isolierten Griffflächen, wenn Sie Arbeiten ausführen, bei denen das Einsatzwerkzeug verborgene Stromleitungen oder das eigene Netzkabel treffen kann. Der Kontakt mit einer spannungsführenden Leitung kann auch metallene Geräteteile unter Spannung setzen und zu einem elektrischen Schlag führen.
- k) Halten Sie das Netzkabel von sich drehenden Einsatzwerkzeugen fern. Wenn Sie die Kontrolle über das Gerät verlieren, kann das Netzkabel durchtrennt oder erfasst werden und Ihre Hand oder Ihr Arm in das sich drehende Einsatzwerkzeug geraten.
- l) Legen Sie das Elektrowerkzeug niemals ab, bevor das Einsatzwerkzeug völlig zum Stillstand gekommen ist. Das sich drehende Einsatzwerkzeug kann in Kontakt mit der Ablagefläche geraten, wodurch Sie die Kontrolle über das Elektrowerkzeug verlieren können.
- m) Lassen Sie das Elektrowerkzeug nicht laufen, während Sie es tragen. Ihre Kleidung kann durch zufälligen Kontakt mit dem sich drehenden Einsatzwerkzeug erfasst werden und das Einsatzwerkzeug sich in Ihren Körper bohren.
- n) Reinigen Sie regelmäßig die Lüftungsschlitze Ihres Elektrowerkzeugs. Das Motorgebläse zieht Staub in das Gehäuse, und eine starke Ansammlung von Metallstaub kann elektrische Gefahren verursachen.
- o) Verwenden Sie das Elektrowerkzeug nicht in der Nähe brennbarer Materialien. Funken können diese Materialien entzünden.
- p) Verwenden Sie keine Einsatzwerkzeuge, die flüssige Kühlmittel erfordern. Die Verwendung von Wasser oder anderen flüssigen Kühlmitteln kann zu einem elektrischen Schlag führen.

- **Das Elektrowerkzeug darf nur zu dem angegebenen Verwendungszweck gebraucht werden.** Jegliche andere Verwendung, anders als in diesen Anleitungen beschrieben wird als nicht richtige Verwendung betrachtet. *Die Verantwortung für jegliche Verletzung in Folge einer unrichtigen Verwendung wird vom Betreiber getragen und nicht von dem Hersteller.*
- **Der Hersteller trägt keine Verantwortung für die durch den Betreiber vorgenommenen Änderungen an dem Elektrowerkzeug oder für Beschädigungen, verursacht durch diese Änderungen.**
- **Bei Arbeit in einer staubigen Umgebung müssen die Ventilationsöffnungen der Maschine rein gehalten werden. Wenn diese vom Staub zu reinigen sind, schalten Sie zuerst die Stromversorgung ab und nutzen Sie keine Metallgegenstände für die Staubreinigung, wobei Sie darauf achten sollten die Innenbauteile der Maschine nicht zu beschädigen.** *Das Elektrowerkzeug wird überhitzt wenn die Kühlung durch verstaubte Ventilationsöffnungen reduziert wird.*

## Weitere Sicherheitshinweise für alle Anwendungen

### Rückschlag und entsprechende Sicherheitshinweise

Rückschlag ist die plötzliche Reaktion infolge eines hakenden oder blockierten drehenden Einsatzwerkzeugs, wie Schleifscheibe, Schleifteller, Drahtbürste usw. Verhaken oder Blockieren führt zu einem abrupten Stopp des rotierenden Einsatzwerkzeugs. Dadurch wird ein unkontrolliertes Elektrowerkzeug gegen die Drehrichtung des Einsatzwerkzeugs an der Blockierstelle beschleunigt.

Wenn z. B. eine Schleifscheibe im Werkstück hakt oder blockiert, kann sich die Kante der Schleifscheibe, die in das Werkstück eintaucht, verfangen und dadurch die Schleifscheibe ausbrechen oder einen Rückschlag verursachen. Die Schleifscheibe bewegt sich dann auf die Bedienperson zu oder von ihr weg, je nach Drehrichtung der Scheibe an der Blockierstelle. Hierbei können Schleifscheiben auch brechen. Ein Rückschlag ist die Folge eines falschen oder fehlerhaften Gebrauchs des Elektrowerkzeugs. Er kann durch geeignete Vorsichtsmaßnahmen, wie nachfolgend beschrieben, verhindert werden.

- a) **Halten Sie das Elektrowerkzeug gut fest**

und bringen Sie Ihren Körper und Ihre Arme in eine Position, in der Sie die Rückschlagkräfte abfangen können. Verwenden Sie immer den Zusatzgriff, falls vorhanden, um die größtmögliche Kontrolle über Rückschlagkräfte oder Reaktionsmomente beim Hochlauf zu haben. *Die Bedienperson kann durch geeignete Vorsichtsmaßnahmen die Rückschlag- und Reaktionskräfte beherrschen.*

- b) **Bringen Sie Ihre Hand nie in die Nähe sich drehender Einsatzwerkzeuge.** *Das Einsatzwerkzeug kann sich beim Rückschlag über Ihre Hand bewegen.*
- c) **Meiden Sie mit Ihrem Körper den Bereich, in den das Elektrowerkzeug bei einem Rückschlag bewegt wird.** *Der Rückschlag treibt das Elektrowerkzeug in die Richtung entgegengesetzt zur Bewegung der Schleifscheibe an der Blockierstelle.*
- d) **Arbeiten Sie besonders vorsichtig im Bereich von Ecken, scharfen Kanten usw. Verhindern Sie, dass Einsatzwerkzeuge vom Werkstück zurückprallen und verklemmen.** *Das rotierende Einsatzwerkzeug neigt bei Ecken, scharfen Kanten oder wenn es abprallt dazu, sich zu verklemmen. Dies verursacht einen Kontrollverlust oder Rückschlag.*
- e) **Verwenden Sie kein Ketten- oder gezähntes Sägeblatt.** *Solche Einsatzwerkzeuge verursachen häufig einen Rückschlag oder den Verlust der Kontrolle über das Elektrowerkzeug.*
  - **Das zu bearbeitende Werkstück festspannen oder entsprechend sichern.**

### Besondere Sicherheitshinweise zum Schleifen und Trennschleifen:

- a) **Verwenden Sie ausschließlich die für Ihr Elektrowerkzeug zugelassenen Schleifkörper und die für diese Schleifkörper vorgesehene Schutzhaube.** *Schleifkörper, die nicht für das Elektrowerkzeug vorgesehen sind, können nicht ausreichend abgeschirmt werden und sind unsicher.*
- b) **Gekröpfte Schleifscheiben müssen so montiert werden, dass ihre Schleiffläche nicht über der Ebene des Schutzhaubenrandes hervorsteht.** *Eine unsachgemäß montierte Schleifscheibe, die über die Ebene des Schutzhaubenrandes hinausragt, kann nicht ausreichend abgeschirmt werden.*
- c) **Die Schutzhaube muss sicher am Elektrowerkzeug angebracht und so ein-**



gestellt sein, dass ein Höchstmaß an Sicherheit erreicht wird, d. h. der kleinstmögliche Teil des Schleifkörpers zeigt offen zur Bedienperson. Die Schutzhaube soll die Bedienperson vor Bruchstücken, vor zufälligem Kontakt mit dem Schleifkörper und vor Funken, die seine Bekleidung anzünden könnten, schützen.

- d) **Schleifkörper dürfen nur für die empfohlenen Einsatzmöglichkeiten verwendet werden. Zum Beispiel: Schleifen Sie nie mit der Seitenfläche einer Trennscheibe.** *Trennscheiben sind zum Materialabtrag mit der Kante der Scheibe bestimmt. Seitliche Kräfteinwirkung auf diese Schleifkörper kann sie zerbrechen.*
- e) **Verwenden Sie immer unbeschädigte Spannflansche in der richtigen Größe und Form für die von Ihnen gewählte Schleifscheibe.** *Geeignete Flansche stützen die Schleifscheibe und verringern so die Gefahr eines Schleifscheibenbruchs. Flansche für Trennscheiben können sich von den Flanschen für andere Schleifscheiben unterscheiden.*
- f) **Verwenden Sie keine abgenutzten Schleifscheiben von größeren Elektrowerkzeugen.** *Schleifscheiben für größere Elektrowerkzeuge sind nicht für die höheren Drehzahlen von kleineren Elektrowerkzeugen ausgelegt und können brechen.*
- **Beachten Sie immer die Drehrichtung der Scheibe.**
  - **Halten Sie die Maschine immer so, daß die Funken und der Staub durch das Schleifen am Körper vorbeifliegen.** *Die Arbeit mit dem Winkelschleifer erzeugt Funken welche die Kleidung oder nicht geschützte Teile des Körpers verbrennen können.*
  - **Das Schleifen und Schneiden von frisch gestrichenen Metallteilen ist nicht zulässig bevor die Farbe vollständig getrocknet ist.** *Es besteht die Gefahr, dass sich die nicht trockene Farbe entzündet.*
  - **Das Schneiden in brennbare Materialien (Holz, Kunststoff u.a.) sowie Plattenkonstruktionen Type "Sandwich" mit brennbarer Füllung ist ebenfalls nicht zulässig.** *Es besteht Feuergefahr.*
  - **Nicht zulässig ist das Schleifen und das Schneiden von Ausrüstungen, die unter Druck stehen bzw. arbeiten.** *Es besteht Explosionsgefahr.*
  - **Nicht zugelassen ist das Schleifen und das Schneiden von Behältern, Rohrlei-**

tungen, Geräten u. a. , die gefüllt sind oder gefüllt wurden mit brennbaren oder leicht entzündlichen Stoffen oder Materialien, ohne das zuvor Maßnahmen gegen Feuer oder eine Explosion getroffen wurden. *Es besteht Feuer oder Explosionsgefahr.*

#### **Weitere besondere Sicherheitshinweise zum Trennschleifen:**

- a) **Vermeiden Sie ein Blockieren der Trennscheibe oder zu hohen Anpressdruck.** *Führen Sie keine übermäßig tiefen Schnitte aus. Eine Überlastung der Trennscheibe erhöht deren Beanspruchung und die Anfälligkeit zum Verkranten oder Blockieren und damit die Möglichkeit eines Rückschlags oder Schleifkörperbruchs.*
- b) **Meiden Sie den Bereich vor und hinter der rotierenden Trennscheibe.** *Wenn Sie die Trennscheibe im Werkstück von sich wegbewegen, kann im Falle eines Rückschlags das Elektrowerkzeug mit der sich drehenden Scheibe direkt auf Sie zuge-schleudert werden.*
- c) **Falls die Trennscheibe verklemmt oder Sie die Arbeit unterbrechen, schalten Sie das Gerät aus und halten Sie es ruhig, bis die Scheibe zum Stillstand gekommen ist.** *Versuchen Sie nie, die noch laufende Trennscheibe aus dem Schnitt zu ziehen, sonst kann ein Rückschlag erfolgen. Ermitteln und beheben Sie die Ursache für das Verklemmen.*
- d) **Schalten Sie das Elektrowerkzeug nicht wieder ein, solange es sich im Werkstück befindet.** *Lassen Sie die Trennscheibe erst ihre volle Drehzahl erreichen, bevor Sie den Schnitt vorsichtig fortsetzen. Anderenfalls kann die Scheibe verhaken, aus dem Werkstück springen oder einen Rückschlag verursachen.*
- e) **Stützen Sie Platten oder große Werkstücke ab, um das Risiko eines Rückschlags durch eine eingeklemmte Trennscheibe zu vermindern.** *Große Werkstücke können sich unter ihrem eigenen Gewicht durchbiegen. Das Werkstück muss auf beiden Seiten der Scheibe abgestützt werden, und zwar sowohl in der Nähe des Trennschnitts als auch an der Kante.*
- f) **Seien Sie besonders vorsichtig bei „Taschenschnitten“ in bestehende Wände oder andere nicht einsehbare Bereiche.** *Die eintauchende Trennscheibe kann beim*

*Schneiden in Gas- oder Wasserleitungen, elektrische Leitungen oder andere Objekte einen Rückschlag verursachen.*

### **Besondere Sicherheitshinweise zum Sandpapierschleifen:**

- a) **Benutzen Sie keine überdimensionierten Schleifblätter, sondern befolgen Sie die Herstellerangaben zur Schleifblattgröße.** *Schleifblätter, die über den Schleifteller hinausragen, können Verletzungen verursachen sowie zum Blockieren, Zerreißen der Schleifblätter oder zum Rückschlag führen.*

### **Besondere Sicherheitshinweise zum Polieren:**

- a) **Lassen Sie keine losen Teile der Polierhaube, insbesondere Befestigungsschnüre, zu. Verstauen oder kürzen Sie die Befestigungsschnüre.** *Lose, sich mitdrehende Befestigungsschnüre können Ihre Finger erfassen oder sich im Werkstück verfangen.*

### **Besondere Sicherheitshinweise zum Arbeiten mit Drahtbürsten:**

- a) **Beachten Sie, dass die Drahtbürste auch während des üblichen Gebrauchs Drahtstücke verliert. Überlasten Sie die Drähte nicht durch zu hohen Anpressdruck.** *Wegfliegende Drahtstücke können sehr leicht durch dünne Kleidung und/oder die Haut dringen.*
- b) **Wird eine Schutzhaube empfohlen, verhindern Sie, dass sich Schutzhaube und Drahtbürste berühren können.** *Teller- und Topfbürsten können durch Anpressdruck und Zentrifugalkräfte ihren Durchmesser vergrößern.*

## **Elemente des Elektrowerkzeugs**

Bevor Sie die Arbeit mit dem Werkzeug beginnen machen Sie sich mit allen Operationsbesonderheiten und Sicherheitsbedingungen vertraut. Verwenden Sie das Werkzeug und sein Zubehör nur nach seinem Verwendungszweck. Jegliche andere Verwendung ist verboten.

1. Schleifspindel
- 2.1. Schutzhaube für Trennscheibe
- 2.2. Schutzhaube für Schruppscheibe\*
3. Anschlagflansch

- 4.1. Trennscheibe (Benutzen Sie immer mit der Schutzhaube für Trennscheibe!)\*
- 4.2. Schruppscheibe (Benutzen Sie immer mit der Schutzhaube für Schruppscheibe!)\*
5. Flansch
6. Zusatzgriff
7. Ein-Aus-Schalter
8. Elektronischer Drehzahlregler (M 750E HD Compact)
9. Spindelverriegelungsknopf

### **ZUBEHÖR, WELCHES MIT DIESEM WERKZEUG VERWENDET WERDEN KANN**

10. Metallbürste\*
11. Kunststoff- oder Gummischeibe\*
12. Sandpapierscheibe oder Polierhaube\*
13. Spannmutter\*

\* Die abgebildeten oder in der Betriebsanleitung beschriebenen zusätzlichen Zubehörteile sind nicht im Lieferumfang.

## **Betriebshinweise**

Dieses Elektrowerkzeug wird nur mit einphasiger Wechselspannung versorgt. Man kann es an Kontaktsteckdosen ohne Schutzklemmen anschließen. Es ist nach EN 60745 und IEC 60745-1 doppelt isoliert. Die Funkstörungen entsprechen der EMV-Richtlinie zur Elektromagnetischen Verträglichkeit.

Dieses Elektrowerkzeug ist bestimmt zum trockenen Schneiden, Schleifen und Bürsten, vorwiegend von Metallwerkstücken

### **VOR DEM BEGINN DER ARBEIT**

- Das Gerät kann mit fabrikmäßig montierter Schutzhaube sein. Versichern Sie sich vor dem ersten und jedem weiteren Gebrauch, dass die Schutzhaube richtig montiert und zuverlässig fixiert ist.
- Das Gerät kann mit fabrikmäßig montierter Schrupp- oder Trennscheibe sein. Versichern Sie sich vor dem ersten und jedem weiteren Gebrauch, dass die Scheibe richtig montiert und zuverlässig festgezogen ist.
- Überprüfen Sie ob die Spannung des Versorgungsnetzes der auf dem Typenschild mit den technischen Daten des Elektrowerkzeugs angegebenen Spannung entspricht.
- Überprüfen Sie in welcher Stellung der sich Schalter befindet. Das Gerät darf nur mit ausgeschaltet ans Netz angeschlossen und vom Netz getrennt werden. Falls Sie den Netzste-

cker in die Steckdose stecken wenn das Gerät eingeschaltet ist wird es sofort beginnen anzulaufen was die Voraussetzung für einen schweren Unfall sein kann.

- Überzeugen Sie sich vom ordnungsgemäßen Zustand des Versorgungskabels und des Steckers. Falls das Versorgungskabel beschädigt ist, darf es nur vom Hersteller oder einem autorisierten Servicefachmann ausgetauscht werden um eventuelle Austauschrisiken zu vermeiden.



**WARNUNG!** Schalten Sie das Elektrowerkzeug vor jeglichen Einstellungs-, Wartungs- und Reparaturarbeiten aus und trennen Sie es vom Netz. Das gleiche gilt bei Stromausfall (Gefahr des unbeabsichtigten Wiederanlaufens).

- Achten Sie bei der Verwendung von Diamant-Trennscheiben darauf, dass der Drehrichtungspfeil auf der Diamant-Trennscheibe und die Drehrichtung des Elektrowerkzeuges (siehe Drehrichtungspfeil auf dem Getriebekopf) übereinstimmen.
- Überprüfen Sie ob der Durchmesser und die Dicke der Scheibe die Sie verwenden wollen nicht größer sind als in den technischen Daten für das Gerät angegebenen. Die auf der Scheibe angegebene periphere Geschwindigkeit darf mindestens 80 m/s betragen. Bewahren Sie die Scheiben entsprechend den Hinweisen ihres Herstellers auf.
- Wenn der Arbeitsplatz von der Stromquelle entfernt ist, benutzen Sie ein so kurz wie mögliches Verlängerungskabel mit geeignetem Querschnitt.
- Überprüfen Sie ob der zusätzliche Handgriff richtig angesetzt und festgezogen ist.

## EIN- UND AUSSCHALTEN

Einschalten: Den Schieber des Schalters 7 im hinteren Teil drücken und nach vorn in die Pfeilrichtung schieben, bis sich sein Vorderteil versenkt und einrastet.

Ausschalten: Den hinteren angehobenen Teil des Schalters 7 drücken und von selbst in die Ursprungstellung gleiten lassen.

## ELEKTRONISCHE DREHZAHLEREG- LUNG (M 750E HD Compact)

Es ist nicht zu empfehlen, die nachstehenden Geräte andauernd mit niedriger Drehzahl zu be-

treiben: M 750E HD Compact.

Durch Verstellen des am hinteren Teil des Gerätes befindlichen elektronischen Reglers 8 erfolgt eine stufenlose Drehzahlreglung. Die empfohlenen Reglerstellungen für die einzelnen Einsatzbereiche sind in der folgenden Tabelle aufgeführt:

<b>Anwendungsgebiet</b>	<b>Reglerstellung</b>
1. Schleifen von Kunststoffteilen mit einer Kunststoffscheibe und Sandpapier	<b>A - C</b>
2. Schleifen von Holz und Entfernen von Lack- und Farbbeschichtungen	<b>B - D</b>
3. Schleifen von Metall mit einer Kunststoffscheibe und Sandpapier	<b>C - F</b>
4. Entfernen von Rost mit Metallbürste	<b>D - F</b>
5. Schruppreinigung, Schneiden von Metall oder Stein	<b>G</b>
6. Polieren mit einer Kunststoffscheibe	<b>A - B</b>

Modelle M 750E HD Compact verfügen über Zweiwelcenelektronik für

- Sanftanlauf und Anlaufstrombegrenzung
- Drehzahlvorwahl und Drehzahlregelung

## SCHUTZHAUBE



**WARNUNG:** Die Schutzhaube 2.1 für Trennscheibe oder die Schutzhaube 2.2 für Schruppscheibe (entsprechend für Trennscheibe 4.1 oder für Schruppscheibe 4.2) muss immer an der Maschine angesetzt sein!

Ihre Stellung ist unterschiedlich und hängt davon ab, auf welcher Seite der Zusatzgriff montiert wird oder ob ein montierter Ständer benutzt wird.

## SCHEIBENWECHSEL

Die Spindel 1 der Schleifmaschine durch Drücken der Taste auf dem Getriebegehäuse feststellen.



**WARNUNG:** Das Drücken der Taste im laufenden Betrieb ist unzulässig und beschädigt die Maschine.

(Bei niedergedrückter Taste die Spindel bis zum deutlichen Einrasten drehen.) Der Flansch5 wird mit dem Originalschlüssel gelöst. Die neue Scheibe auf den Anschlagflansch 3 mit der Aufschrift nach oben einsetzen, den Flansch 5 mit der flachen Seite zur Scheibe einsetzen und mit dem Originalschlüssel anziehen. Benutzen Sie die Papierunterlegscheiben, wenn die Scheibe

mit denen komplettiert ist. Nach Scheibenwechsel das Gerät mit der neuen Scheibe eine Minute lang ohne Belastung laufen lassen. Vibrierende und sich unregelmäßig drehende Scheiben sofort auswechseln.

Die Metallbürsten 10 direkt auf die Spindel 1 mit einem Schraubenschlüssel anziehen. (Überprüfen Sie, ob die Länge des Gewindes der Bürste genug ist, um das Gewinde der Spindel zu umfassen.)

Das Schleifen mit Sandpapier und das Polieren mit einer Kunststoff-Gummi-Scheibe 11 vornehmen, der Sandpapierscheiben 12 unterlegt werden. Die Kunststoffscheibe wird mit Spezialmutter 13 angezogen. Die Kunststoffscheibe 11 wird auf den Anschlagflansch 3 gestellt und durch die Sonderschraubenmutter 13 festgezogen, mit deren sie komplettiert ist. Wenn eine Betriebsscheibe mit eingebautem Flansch verwendet wird, so kann diese direkt an die Spindel einschrauben, ohne Gebrauch des Flansches 5, mittels Schraubenschlüssels. Die Scheibe mit eingebautem Flansch kann aus harzhaltigem Schwamm sein, Polyurethanschaum mit tragender Kunststoffeinlage, in deren die Mutter eingebaut ist, und das Polierblatt selbst - Polierpapier oder Wollfilz - wird an der Polyurethanschaumscheibe durch "Kletten"-System gegriffen. Nach Wechsel der Scheibe, die Maschine mit der neuen Scheibe ungefähr eine Minute ohne Belastung anlaufen lassen. Die vibrierenden oder ungleichmäßig drehenden Scheiben müssen umgehend ersetzt werden.

## **HINWEISE ZUR ANBRINGUNG DER SCHUTZHAUBE**

---

Vor Durchführung der nachstehenden Operationen muß die Maschine vom Netz getrennt werden.

### **Ansetzen einer Schutzhaube (Abb. 1)**

- Den schwarzen Plastikring soweit drehen (Abb. 2), bis die Nut S am Ring mit dem Schlitz für die Nase des Spannhebels L zusammen trifft.

- Die Schutzhaube mit den vier Nasen in die vier Nuten am Lagersitz setzen (Abb. 2, Abb. 3).

- Die Schutzhaube nach unten drücken und in Richtung Uhrzeigersinn in die erforderliche Arbeitsposition drehen. Mit dem Spannhebel L wird die Schutzhaube in dieser Position festgeklemmt.

## **Drehen der Schutzhaube in eine neue Arbeitsstellung**

- Die Schutzhaube nur in Richtung Uhrzeigersinn in die erforderliche Arbeitsposition drehen. Mit dem Spannhebel L wird die Schutzhaube in dieser Position festgeklemmt.

### **Schutzhaube abnehmen**

- Die Schutzhaube so drehen, dass die vier Nasen in den vier Nuten am Lagersitz liegen. Schutzhaube abnehmen (Abb. 2).

## **ZUSATZGRIFF**

---

Normalerweise wird der Zusatzgriff 6 von der linken Seite des Gerätes angeschraubt. Dieser kann auch wahlweise von rechts an das Gerät montiert werden.

## **VERSTELLEN DES GERÄTEGEHÄUSES**

---

Das Gerätegehäuse kann um 90° oder 180° gedreht werden. Die erste Stellung wird vornehmlich beim Gebrauch der Maschine zum Trennen und die zweite für Linkshänder eingerichtet. In beiden Fällen soll das Verdrehen des Gerätegehäuses von einem befugten Kundendienst für SPARKY-Elektrowerkzeuge ausgeführt werden.

## **EMPFEHLUNGEN**

---

Beim Trennen die Trennscheibe nicht drücken und die Maschine nicht seitwärts bewegen (Gefahr der Verkantung). Mit mäßigem, dem zu bearbeitendem Material angepasstem Vorschub arbeiten.

Wichtig ist die Richtung des Trennens. Man muss die Maschine stets in Gegenrichtung gegen zur Drehung der Scheibe (siehe Pfeil auf der Schutzhaube) vorschieben. Andernfalls besteht die Gefahr, dass die Scheibe unkontrolliert aus dem Schnitt schlägt.

Beim Schneiden von Profilen und Rohren wird empfohlen, das Schneiden von der kürzesten Seite zu beginnen.

Beim Schleifen drücken Sie die Maschine nicht auf die zu bearbeitende Oberfläche, sondern bewegen Sie die Scheibe gleichmäßig vor und zurück. Leichtmetalle werden mit Sonderscheiben bearbeitet. Das beste Ergebnis beim Grobschleifen wird bei einer Neigung von 30° - 40° zwischen der Scheibe und der zu bearbeitenden Oberfläche erreicht. Beim Grobschleifen ist der Gebrauch von Trennscheiben nicht zugelassen. Der Gebrauch von Scheiben mit einer Stärke von über 6 mm wird nicht empfohlen.

# Wartung

---



**WARNUNG:** Ziehen Sie den Stecker aus der Steckdose, bevor Sie jede Inspektion oder Wartung vornehmen.

## INSTANDSETZUNG DER KOHLEBÜRS- TEN

---

Diese verschleifen und müssen deshalb von Zeit zu Zeit von einer autorisierten SPARKY Vertrags-Kundendienstwerkstatt geprüft bzw. ausgetauscht werden.

## INSTANDHALTUNG

---

Prüfen Sie regelmäßig ob alle Stützelemente fest angezogen sind. Falls eine Klemmschraube gelöst ist, unverzüglich anziehen, um Risiken zu vermeiden.

Wenn die Anschlussleitung beschädigt ist, muss sie von einer autorisierten SPARKY Vertrags-Kundendienstwerkstatt ausgetauscht werden.

## REINIGUNG

---

Pflegen Sie das elektrische Gerät und die Entlüftungsöffnungen mit Sorgfalt. Kontrollieren Sie, ob bewegliche Geräteteile einwandfrei funktionieren und nicht klemmen, ob Teile gebrochen oder so beschädigt sind, dass die Funktion des elektrischen Gerätes beeinträchtigt ist. Verwenden Sie eine weiche Bürste und/oder Pressluft, um Staub zu entfernen. Tragen Sie eine Schutzbrille während der Reinigung. Reinigen Sie den Gerätekörper mit einem weichen, feuchten Tuch und leichtem Spülmittel.

Beim Arbeiten in stark verstaubter Umgebung (Trennen von Gestein) sind die Lüftungsöffnungen und der Schalterschieber regelmäßig (alle 8 Arbeitsstunden) während Leerlauf des Geräts mit Druckluft oder durch Klopfen in der Nähe der Öffnungen mit einem Nichtmetall-Gegenstand zu reinigen (Abb. 6a,6b).



**WARNUNG:** Die Verwendung von Spiritus, Benzin oder anderen Lösmitteln ist nicht zugelassen. Verwenden Sie keine ätzenden Reinigungsmittel für die Kunststoffteile.



**WARNUNG:** Das Eindringen von Wasser in das Elektrogerät ist nicht ratsam.

**ACHTUNG!** Um den sicheren und zuverlässigen Betrieb des Elektrowerkzeuges sicherzustellen, lassen Sie alle Geräteeinstellungen, Reparatur- und Wartungstätigkeiten (einschließlich der Inspektion und Instandsetzung der Kohlebürsten) von einer autorisierten SPARKY Vertrags-Kundendienstwerkstatt durchführen.

## Garantie

---

Die Garantiefrist der SPARKY-Elektrowerkzeuge wird im Garantieschein bestimmt.

Schäden, die auf natürliche Abnutzung, Überlastung oder unsachgemäße Handhabung zurückzuführen sind, bleiben von der Garantie ausgeschlossen.

Schäden, die durch Material- und/oder Herstellerfehler entstanden sind, werden unentgeltlich durch Ersatzlieferung oder Reparatur beseitigt.

Beanstandungen bezüglich eines beschädigten SPARKY-Elektrowerkzeugs können nur anerkannt werden, wenn das Gerät unzerlegt (im ursprünglichen Zustand) dem Lieferanten oder der befugten Kundendienstwerkstatt vorgelegt wird.

## Hinweise

---

Lesen Sie sorgfältig die ganze Betriebsanweisung bevor Sie beginnen, das Erzeugnis zu verwenden.

Der Hersteller behält sich das Recht vor, Verbesserungen und Änderungen in seinen Erzeugnissen einzuführen und die Spezifikationen ohne Voranmeldung zu ändern.

Die Spezifikationen können sich in den verschiedenen Ländern unterscheiden.

# Table des matières

Introduction .....	24
Données techniques .....	26
Avertissements de sécurité généraux pour l'outil .....	27
Instructions supplémentaires de sécurité lors du travail avec des meuleuses angulaires .....	28
Description de l'appareil électrique .....	A/32
Instructions pour le travail .....	B/32
Entretien .....	35
Garantie .....	36

## DEBALLAGE

Compte tenu des technologies généralement adoptées pour la production en grande série, il est peu probable que votre instrument électrique soit défectueux ou qu'il lui manque une pièce. Si toutefois vous remarquez que quelque chose ne va pas, n'utilisez pas l'instrument électrique avant le remplacement de la pièce défectueuse ou avant l'élimination du dysfonctionnement. Le non-respect de cette recommandation peut entraîner un grave accident.

## MONTAGE

La meuleuse angulaire est fournie emballée et montée à l'exception du dispositif de sécurité et de la poignée auxiliaire.

## Introduction

---

Votre nouvel outil a été conçu et produit selon tous les standards de qualité pour répondre aux exigences les plus élevées. Son exploitation est facile et sécurisée. Et avec une utilisation correcte il vous servira longtemps.

### AVERTISSEMENT!



Lire attentivement cette notice originale avant d'utiliser votre nouvel outil. Prêter attention aux sections «Avertissement». Votre outil électrique possède des caractéristiques qui facilitent votre travail.

Cet instrument a été conçu et produit selon toutes les exigences de sécurité pour que son usage et son entretien soient faciles.



### **Ne pas jeter les outils électroportatifs avec les ordures ménagères!**

Les déchets provenant d'outils électroportatifs ne doivent pas être ramassés avec les ordures ménagères. Prière de recycler sur les lieux qui y sont spécialement destinés. Contacter les autorités locales ou un représentant pour des consultations concernant le recyclage.

### RESPECT DE L'ENVIRONNEMENT



Récupération des matières premières plutôt qu'élimination des déchets. En vue à la protection de l'environnement, les appareils, comme d'ailleurs leurs accessoires et emballages, doivent pouvoir suivre chacun une voie de recyclage appropriée. Nos pièces en matières artificielles ont été marquées en vue d'un recyclage sélectif des différents matériaux.



## LÉGENDE

L'outil électrique porte une plaque décrivant les signes spéciaux. Ils apportent une information importante quant au produit ou des instructions d'utilisation.



Double isolation pour une meilleure sécurité.



Filetage de la broche porte-outil: M14.



Conforme aux directives européennes applicables.



Conforme aux exigences des règlements de l'Union douanière.



En conformité avec les exigences des standards ukrainiens.



Lisez la notice originale.




Portez toujours des lunettes de protection.

YYYY-Www Période de production, où, les symboles variables sont les suivants :  
YYYY - année de production,  
ww – le numéro de la semaine du calendrier.

M Meuleuse angulaire.

## Données techniques

Modèle	M750 HD Compact	M750E HD Compact
Puissance consommée	750 W	750 W
Vitesse assignée	10500 min <sup>-1</sup>	3500-10500 min <sup>-1</sup>
Filet de fixation de la broche	M14	M14
Longueur du filet de la broche	20 mm	20 mm
Diamètre intérieur du disque de meulage	22,23 mm	22,23 mm
Diamètre maximal du disque de meulage	125 mm	125 mm
Épaisseur maximale du disque de meulage	6 mm	6 mm
Poids de l'outil (EPTA procédure 01/2014)	1,8 kg	1,9 kg
Classe de protection (EN 60745-1) 	II	II

### INFORMATION CONCERNANT LE BRUIT ET LES VIBRATIONS

Valeurs mesurées conformément à EN 60745.

#### Emission de bruit

A-niveau pondéré de pression sonore L <sub>pA</sub>	86 dB(A)	85 dB(A)
Indéterminé K <sub>A</sub>	3 dB(A)	3 dB(A)
A-niveau pondéré de puissance sonore L <sub>WA</sub>	97 dB(A)	96 dB(A)
Indéterminé K <sub>WA</sub>	3 dB(A)	3 dB(A)

#### Utilisez des protecteurs auditifs!

#### Emission de vibrations\*

Valeur globale des vibrations (somme vectorielle sur les trois axes) selon EN 60745:

##### Meulage de surfaces

Valeur des vibrations émises a <sub>r,AG</sub>	10,8 m/s <sup>2</sup>	10,6 m/s <sup>2</sup>
Indéterminé K <sub>AG</sub>	1,5 m/s <sup>2</sup>	1,5 m/s <sup>2</sup>

##### Meulage à l'aide de toile émeri

Valeur des vibrations émises a <sub>r,DS</sub>		<2,5 m/s <sup>2</sup>
Indéterminé K <sub>DS</sub>		1,5 m/s <sup>2</sup>

\* Vibrations déterminées conformément au point 6.2.7 de EN 60745.

L'amplitude d' l'accélération indiquée dans ces instructions d'utilisation a été mesurée suivant les méthodes de mesurage conformément à la norme EN 60745 et peut être utilisée pour une comparaison d'appareils. Le niveau de vibration peut être utilisé pour faire une estimation provisoire du degré d'influence vibratoire.

Le niveau de vibration annoncé concerne la fonction principale de l'outil. Dans des cas où l'outil est destinée à une autre utilisation ou avec d'autres accessoires, ou s'il est mal entretenu, le niveau de vibration peut s'écarter de celui qui a été indiqué. Si c'est le cas, le degré d'influence peut fortement augmenter au cours de l'utilisation

Pour une estimation précise de l'influence vibratoire pendant un certain temps d'utilisation, il est recommandé de prendre aussi en considération les espaces de temps pendant lesquels l'appareil est éteint ou sous tension, mais pas vraiment utilisé. Ceci peut réduire considérablement l'influence vibratoire pendant toute la durée du travail.

Entretenez l'outil et ses accessoires en bon état. Gardez vos mains chaudes au cours de son utilisation – cela va diminuer les conséquences négatives lorsque vous travaillez à des hauts degrés de vibrations.

Lors de toutes les autres opérations, par exemple, le coupage à l'aide d'un disque abrasif ou le nettoyage à l'aide d'une brosse à fils de métal, les vibrations émises ont d'autres valeurs.

Les poussières de matériaux tels que peintures contenant du plomb, certains bois, minéraux ou métaux, peuvent être nuisibles à la santé. Toucher ou aspirer les poussières peut entraîner des réactions allergiques et/ou des maladies respiratoires auprès de l'utilisateur ou de personnes se trouvant à proximité.

Certaines poussières telles que les poussières de chêne ou de hêtre sont considérées cancérigènes, surtout en connexion avec des additifs pour le traitement de bois (chromate, lazure). Les matériaux contenant de l'amiante ne doivent être travaillés que par des personnes qualifiées.

- Si possible, utilisez une aspiration des poussières.
- Veillez à bien aérer la zone de travail.
- Il est recommandé de porter un masque respiratoire de la classe de filtre P2.

Respectez les règlements en vigueur dans votre pays spécifiques aux matériaux à traiter.

## Avertissements de sécurité généraux pour l'outil



**AVERTISSEMENT!** Lire tous les avertissements de sécurité et toutes les instructions. Ne pas suivre les avertissements et instructions peut donner lieu à un choc électrique, un incendie et/ou une blessure sérieuse.

**Conserver tous les avertissements et toutes les instructions pour pouvoir s'y reporter ultérieurement.**

Le terme «outil» dans les avertissements fait référence à votre outil électrique alimenté par le secteur (avec cordon d'alimentation) ou votre outil fonctionnant sur batterie (sans cordon d'alimentation).

### 1) Sécurité de la zone de travail

- Conserv**er la zone de travail propre et bien éclairée. Les zones en désordre ou sombres sont propices aux accidents.
- Ne pas faire fonctionner les outils électriques** en atmosphère explosive, par exemple en présence de liquides inflammables, de gaz ou de poussières. Les outils électriques produisent des étincelles qui peuvent enflammer les poussières ou les fumées.
- Maintenir les enfants et les personnes présentes à l'écart pendant l'utilisation de l'outil.** Les distractions peuvent vous faire perdre le contrôle de l'outil.

### 2) Sécurité électrique

- Il faut que les fiches de l'outil électrique soient adaptées au socle. Ne jamais modifier la fiche de quelque façon que ce soit. Ne pas utiliser d'adaptateurs avec des outils à branchement de terre.** Des fiches non modifiées et des socles adaptés réduiront le risque de choc électrique.
- Eviter tout contact du corps avec des surfaces reliées à la terre** telles que les

tuyaux, les radiateurs, les cuisinières et les réfrigérateurs. Il existe un risque accru de choc électrique si votre corps est relié à la terre.

- Ne pas exposer les outils à la pluie ou à des conditions humides.** La pénétration d'eau à l'intérieur d'un outil augmentera le risque de choc électrique.
- Ne pas maltraiter le cordon. Ne jamais utiliser le cordon pour porter, tirer ou débrancher l'outil. Maintenir le cordon à l'écart de la chaleur, du lubrifiant, des arêtes ou des parties en mouvement.** Des cordons endommagés ou emmêlés augmentent le risque de choc électrique.
- Lorsqu'on utilise un outil à l'extérieur, utiliser un prolongateur adapté à l'utilisation extérieure.** L'utilisation d'un cordon adapté à l'utilisation extérieure réduit le risque de choc électrique.
- Si l'usage d'un outil dans un emplacement humide est inévitable, utiliser une alimentation protégée par un dispositif à courant différentiel résiduel (RCD).** L'usage d'un RCD réduit le risque de choc électrique.

### 3) Sécurité des personnes

- Rester vigilant, regarder ce que vous êtes en train de faire et faire preuve de bon sens dans votre utilisation de l'outil. Ne pas utiliser un outil lorsque vous êtes fatigué ou sous l'emprise de drogues, d'alcool ou de médicaments.** Un moment d'inattention en cours d'utilisation d'un outil peut entraîner des blessures graves des personnes.
- Utiliser un équipement de sécurité. Toujours porter une protection pour les yeux.** Les équipements de sécurité tels que les masques contre les poussières, les chaussures de sécurité antidérapantes, les casques ou les protections acoustiques utilisés pour les conditions appropriées réduiront les blessures de personnes.
- Eviter tout démarrage intempestif. S'assurer que l'interrupteur est en position arrêt avant de brancher l'outil au secteur**

et/ou au bloc de batteries, de le ramasser ou de le porter. Porter les outils en ayant le doigt sur l'interrupteur ou brancher des outils dont l'interrupteur est en position marche est source d'accidents.

- d) **Retirer toute clé de réglage avant de mettre l'outil en marche.** Une clé laissée fixée sur une partie tournante de l'outil peut donner lieu à des blessures de personnes.
  - e) **Ne pas se précipiter. Garder une position et un équilibre adaptés à tout moment.** Cela permet un meilleur contrôle de l'outil dans des situations inattendues.
  - f) **S'habiller de manière adaptée. Ne pas porter de vêtements amples ou de bijoux. Garder les cheveux, les vêtements et les gants à distance des parties en mouvement.** Des vêtements amples, des bijoux ou les cheveux longs peuvent être pris dans des parties en mouvement.
  - g) **Si des dispositifs sont fournis pour le raccordement d'équipements pour l'extraction et la récupération des poussières, s'assurer qu'ils sont connectés et correctement utilisés.** Utiliser des collecteurs de poussière peut réduire les risques dus aux poussières.
- 4) Utilisation et entretien de l'outil**
- a) **Ne pas forcer l'outil. Utiliser l'outil adapté à votre application.** L'outil adapté réalisera mieux le travail et de manière plus sûre au régime pour lequel il a été construit.
  - b) **Ne pas utiliser l'outil si l'interrupteur ne permet pas de passer de l'état de marche à arrêt et vice versa.** Tout outil qui ne peut pas être commandé par l'interrupteur est dangereux et il faut le réparer.
  - c) **Débrancher la fiche de la source d'alimentation en courant et/ou le bloc de batteries de l'outil avant tout réglage, changement d'accessoires ou avant de ranger l'outil.** De telles mesures de sécurité préventives réduisent le risque de démarrage accidentel de l'outil.
  - d) **Conserver les outils à l'arrêt hors de la portée des enfants et ne pas permettre à des personnes ne connaissant pas l'outil ou les présentes instructions de le faire fonctionner.** Les outils sont dangereux entre les mains d'utilisateurs novices.
  - e) **Observer la maintenance de l'outil. Vérifier qu'il n'y a pas de mauvais alignement ou de blocage des parties mobiles, des pièces cassées ou toute autre condition pouvant affecter le fonctionnement de l'outil. En cas de dommages,**

**faire réparer l'outil avant de l'utiliser.** De nombreux accidents sont dus à des outils mal entretenus.

- f) **Garder affûtés et propres les outils permettant de couper.** Des outils destinés à couper correctement entretenus avec des pièces coupantes tranchantes sont moins susceptibles de bloquer et sont plus faciles à contrôler.
  - g) **Utiliser l'outil, les accessoires et les lames etc., conformément à ces instructions, en tenant compte des conditions de travail et du travail à réaliser.** L'utilisation de l'outil pour des opérations différentes de celles prévues pourrait donner lieu à des situations dangereuses.
- 5) Maintenance et entretien**
- a) **Faire entretenir l'outil par un réparateur qualifié utilisant uniquement des pièces de rechange identiques.** Cela assurera que la sécurité de l'outil est maintenue.

## Instructions supplémentaires de sécurité lors du travail avec des meuleuses angulaires

---

**Avertissements de sécurité communs pour les opérations de meulage, de ponçage, de brossage métallique, de lustrage ou de tronçonnage par meule abrasive:**

- a) **Cet outil électrique est destiné à fonctionner comme meuleuse, ponceuse, brosse métallique, lustreuse ou outil à tronçonner.** Lire toutes les mises en garde de sécurité, les instructions, les illustrations et les spécifications fournies avec cet outil électrique. Le fait de ne pas suivre toutes les instructions données ci-dessous peut provoquer un choc électrique, un incendie et/ou une blessure grave.
- b) **Les opérations de polissage ne sont pas recommandées avec cet outil électrique.** Les opérations pour lesquelles l'outil électrique n'a pas été conçu peuvent provoquer un danger et causer un accident corporel. (M 750 HD Compact)
- c) **Ne pas utiliser d'accessoires non conçus spécifiquement et recomman-**

- dés par le fabricant d'outils. *Le simple fait que l'accessoire puisse être fixé à votre outil électrique ne garantit pas un fonctionnement en toute sécurité.*
- d) **La vitesse assignée de l'accessoire doit être au moins égale à la vitesse maximale indiquée sur l'outil électrique.** *Les accessoires fonctionnant plus vite que leur vitesse assignée peuvent se rompre et voler en éclat.*
- e) **Le diamètre extérieur et l'épaisseur de votre accessoire doivent se situer dans le cadre des caractéristiques de capacité de votre outil électrique.** *Les accessoires dimensionnés de façon incorrecte ne peuvent pas être protégés ou commandés de manière appropriée.*
- f) **Le montage fileté d'accessoires doit être adapté au filet de l'arbre de la meuleuse.** *Pour les accessoires montés avec des flasques, l'alésage central de l'accessoire doit s'adapter correctement au diamètre du flasque. Les accessoires qui ne correspondent pas aux éléments de montage de l'outil électrique seront en déséquilibre, vibreront de manière excessive et pourront provoquer une perte de contrôle.*
- g) **Ne pas utiliser d'accessoire endommagé.** *Avant chaque utilisation examiner les accessoires comme les meules abrasives pour détecter la présence éventuelle de copeaux et fissures, les patins d'appui pour détecter des traces éventuelles de fissures, de déchirure ou d'usure excessive, ainsi que les brosses métalliques pour détecter des fils desserrés ou fissurés. Si l'outil électrique ou l'accessoire a subi une chute, examiner les dommages éventuels ou installer un accessoire non endommagé. Après examen et installation d'un accessoire, placez-vous ainsi que les personnes présentes à distance du plan de l'accessoire rotatif et faire marcher l'outil électrique à vitesse maximale à vide pendant 1 min. Les accessoires endommagés seront normalement détruits pendant cette période d'essai.*
- h) **Porter un équipement de protection individuelle.** *En fonction de l'application, utiliser un écran facial, des lunettes de sécurité ou des verres de sécurité. Le cas échéant, utiliser un masque anti-poussières, des protections auditives, des gants et un tablier capables d'arrêter les petits fragments abrasifs ou des pièces à usiner. La protection oculaire doit être capable d'arrêter les débris volants produits par les diverses opérations. Le masque antipoussières ou le respirateur doit être capable de filtrer les particules produites par vos travaux. L'exposition prolongée aux bruits de forte intensité peut provoquer une perte de l'audition.*
- i) **Maintenir les personnes présentes à une distance de sécurité par rapport à la zone de travail.** *Toute personne entrant dans la zone de travail doit porter un équipement de protection individuelle. Des fragments de pièce à usiner ou d'un accessoire cassé peuvent être projetés et provoquer des blessures en dehors de la zone immédiate d'opération.*
- j) **Tenir l'outil uniquement par les surfaces de préhension isolantes, pendant les opérations au cours desquelles l'accessoire coupant peut être en contact avec des conducteurs cachés ou avec son propre câble.** *Le contact de l'accessoire coupant avec un fil «sous tension» peut également mettre «sous tension» les parties métalliques exposées de l'outil électrique et provoquer un choc électrique sur l'opérateur.*
- k) **Placer le câble éloigné de l'accessoire de rotation.** *Si vous perdez le contrôle, le câble peut être coupé ou subir un accroc et votre main ou votre bras peut être tiré dans l'accessoire de rotation.*
- l) **Ne jamais reposer l'outil électrique avant que l'accessoire n'ait atteint un arrêt complet.** *L'accessoire de rotation peut agripper la surface et arracher l'outil électrique hors de votre contrôle.*
- m) **Ne pas faire fonctionner l'outil électrique en le portant sur le côté.** *Un contact accidentel avec l'accessoire de rotation pourrait accrocher vos vêtements et attirer l'accessoire sur vous.*
- n) **Nettoyer régulièrement les orifices d'aération de l'outil électrique.** *Le ventilateur du moteur attirera la poussière à l'intérieur du boîtier et une accumulation excessive de poudre de métal peut provoquer des dangers électriques.*
- o) **Ne pas faire fonctionner l'outil électrique à proximité de matériaux inflammables.** *Des étincelles pourraient enflammer ces matériaux.*
- p) **Ne pas utiliser d'accessoires qui nécessitent des réfrigérants fluides.** *L'utilisa-*

tion d'eau ou d'autres réfrigérants fluides peut aboutir à une électrocution ou un choc électrique.

- **L'appareil doit être utilisé uniquement pour les travaux pour lesquels il a été prévu. Toute autre utilisation, différente que celle décrite dans la présente instruction, doit être considérée comme abusive. Le producteur décline toute responsabilité en cas de dommage ou de blessure causée par une utilisation abusive, cette responsabilité étant alors entièrement assumée par l'utilisateur.**
- **Le producteur décline toute responsabilité en cas de modifications apportées à l'appareil électrique ou de dommages provoqués par ces modifications.**
- **Lors du travail dans un milieu poussiéreux, les orifices de ventilation de la machine doivent être gardés propres. S'ils ont besoin d'être nettoyés de la poussière, commencez par couper le courant, puis utilisez pour le nettoyage des outils non métalliques en veillant à ne pas endommager les pièces intérieures de la machine. L'appareil électrique risque de se surchauffer en cas de refroidissement insuffisant dû à l'obstruction des orifices de ventilation.**

## Autres instructions de sécurité pour toutes les opérations

### Rebonds et mises en garde correspondantes

Le rebond est une réaction soudaine au pincement ou à l'accrochage d'une meule rotative, d'un patin d'appui, d'une brosse ou de tout autre accessoire. Le pincement ou l'accrochage provoque un blocage rapide de l'accessoire en rotation qui, à son tour, contraint l'outil électrique hors de contrôle dans le sens opposé de rotation de l'accessoire au point du grippage.

Par exemple, si une meule abrasive est accrochée ou pincée par la pièce à usiner, le bord de la meule qui entre dans le point de pincement peut creuser la surface du matériau, provoquant des sauts ou l'expulsion de la meule. La meule peut sauter en direction de l'opérateur ou encore en s'en éloignant, selon le sens du mouvement de la meule au point de pincement. Les meules abrasives peuvent également se rompre dans ces conditions.

Le rebond résulte d'un mauvais usage de l'outil et/ou de procédures ou de conditions de fonctionnement incorrectes et peut être évité en

prenant les précautions appropriées spécifiées ci-dessous.

- a) **Maintenir fermement l'outil électrique et placer votre corps et vos bras pour vous permettre de résister aux forces de rebond. Toujours utiliser une poignée auxiliaire, le cas échéant, pour une maîtrise maximale du rebond ou de la réaction de couple au cours du démarrage. L'opérateur peut maîtriser les couples de réaction ou les forces de rebond, si les précautions qui s'imposent sont prises.**
  - b) **Ne jamais placer votre main à proximité de l'accessoire en rotation. L'accessoire peut effectuer un rebond sur votre main.**
  - c) **Ne pas vous placer dans la zone où l'outil électrique se déplacera en cas de rebond. Le rebond pousse l'outil dans le sens opposé au mouvement de la meule au point d'accrochage.**
  - d) **Apporter un soin particulier lors de travaux dans les coins, les arêtes vives etc. Eviter les rebondissements et les accrochages de l'accessoire. Les coins, les arêtes vives ou les rebondissements ont tendance à accrocher l'accessoire en rotation et à provoquer une perte de contrôle ou un rebond.**
  - e) **Ne pas fixer de chaîne coupante, de lame de sculpture sur bois, de chaîne coupante ni de lame de scie dentée. De telles lames provoquent des rebonds fréquents et des pertes de contrôle.**
- **Maintenir la pièce à travailler à l'aide d'un dispositif de fixation approprié.**

### Mises en garde de sécurité spécifiques aux opérations de meulage et de tronçonnage abrasif:

- a) **Utiliser uniquement des types de meules recommandés pour votre outil électrique et le protecteur spécifique conçu pour la meule choisie. Les meules pour lesquelles l'outil électrique n'a pas été conçu ne peuvent pas être protégées de façon satisfaisante et sont dangereuses.**
- b) **La surface de meulage des meules à moyeu déporté doit être montées sous le plan de la lèvre du protecteur. Une meule montée de manière incorrecte qui dépasse du plan de la lèvre du protecteur ne peut pas être protégée de manière appropriée.**
- c) **Le protecteur doit être solidement fixé à l'outil électrique et placé en vue d'une sécurité maximale, de sorte que l'opéra-**



- teur soit exposé le moins possible à la meule. *Le protecteur protège l'opérateur contre des fragments volant d'une meule qui se brise, contre un contact accidentel avec la meule et contre des étincelles qui risquent d'enflammer ses vêtements.*
- d) **Les meules doivent être utilisées uniquement pour les applications recommandées. Par exemple: ne pas meuler avec le côté de la meule à tronçonner. Les meules à tronçonner abrasives sont destinées au meulage périphérique, l'application de forces latérales à ces meules peut les briser en éclats.**
- e) **Toujours utiliser des flasques de meule non endommagés qui sont de taille et de forme correctes pour la meule que vous avez choisie. Des flasques de meule appropriés supportent la meule réduisant ainsi la possibilité de rupture de la meule. Les flasques pour les meules à tronçonner peuvent être différents des autres flasques de meule.**
- f) **Ne pas utiliser de meules usées d'outils électriques plus grands. La meule destinée à un outil électrique plus grand n'est pas appropriée pour la vitesse plus élevée d'un outil plus petit et elle peut éclater.**
- **Respectez toujours le sens de rotation du disque. La force de rappel agit en sens inverse à celui de la rotation à l'endroit du meulage ou du coupage et crée des conditions pouvant conduire à la perte du contrôle sur l'instrument électrique.**
  - **Tenez toujours la machine de façon à ce que les étincelles et la poussière du meulage se dispersent sans entrer en contact avec votre corps. Les appareils électriques émettent des étincelles qui peuvent brûler vos vêtements ou les parties non protégées de votre corps.**
  - **Il est interdit de meuler et couper des structures en métal fraîchement peintes avant que la peinture n'ait séché. Il existe un danger d'inflammation de la peinture qui n'est pas complètement sèche.**
  - **Il est interdit de couper des matériaux inflammables (bois, matière plastique, etc.), de même que des plaques stratifiées à l'intérieur desquelles il y a une matière inflammable. Il existe un danger d'incendie.**
  - **Il est interdit de meuler et couper des dispositifs qui fonctionnent sous pression. Il existe un danger d'explosion.**
- **Il est interdit de meuler et couper des réservoirs, des tuyauteries, des appareils, etc., qui ont contenu des matières inflammables prenant facilement le feu sans avoir pris au préalable des mesures spéciales visant à éliminer le danger d'incendie et d'explosion. Il existe un danger d'incendie ou d'explosion.**
- Mises en garde de sécurité additionnelles spécifiques aux opérations de tronçonnage abrasif**
- a) **Ne pas «coincer» la meule à tronçonner ou ne pas appliquer une pression excessive. Ne pas tenter d'exécuter une profondeur de coupe excessive. Une contrainte excessive de la meule augmente la charge et la probabilité de torsion ou de blocage de la meule dans la coupe et la possibilité de rebond ou de rupture de la meule.**
- b) **Ne pas vous placer dans l'alignement de la meule en rotation ni derrière celle-ci. Lorsque la meule, au point de fonctionnement, s'éloigne de votre corps, le rebond éventuel peut propulser la meule en rotation et l'outil électrique directement sur vous.**
- c) **Lorsque la meule se bloque ou lorsque la coupe est interrompue pour une raison quelconque, mettre l'outil électrique hors tension et tenir l'outil électrique immobile jusqu'à ce que la meule soit à l'arrêt complet. Ne jamais tenter d'enlever la meule à tronçonner de la coupe tandis que la meule est en mouvement sinon le rebond peut se produire. Rechercher et prendre des mesures correctives afin d'empêcher que la meule ne se grippe.**
- d) **Ne pas reprendre l'opération de coupe dans la pièce à usiner. Laisser la meule atteindre sa pleine vitesse et rentrer avec précaution dans le tronçon. La meule peut se coincer, venir chevaucher la pièce à usiner ou effectuer un rebond si l'on fait redémarrer l'outil électrique dans la pièce à usiner.**
- e) **Prévoir un support de panneaux ou de toute pièce à usiner surdimensionnée pour réduire le risque de pincement et de rebond de la meule. Les grandes pièces à usiner ont tendance à fléchir sous leur propre poids. Les supports doivent être placés sous la pièce à usiner près de la ligne de coupe et près du bord de la pièce.**

ce des deux côtés de la meule.

- f) **Soyez particulièrement prudent lorsque vous faites une «coupe en retrait» dans des parois existantes ou dans d'autres zones sans visibilité.** *La meule saillante peut couper des tuyaux de gaz ou d'eau, des câblages électriques ou des objets, ce qui peut entraîner des rebonds.*

### Mises en garde de sécurité spécifiques aux opérations de ponçage

- a) **Ne pas utiliser de papier abrasif trop surdimensionné pour les disques de ponçage. Suivre les recommandations des fabricants, lors du choix du papier abrasif.** *Un papier abrasif plus grand s'étendant au-delà du patin de ponçage présente un danger de lacération et peut provoquer un accrochage, une déchirure du disque ou un rebond.*

### Mises en garde de sécurité spécifiques aux opérations de lustrage

- a) **Ne permettre à aucune partie lâche du bonnet de lustrage ou de ses fils de fixation de tourner librement. Cacher ou tailler tous les fils de fixation lâches.** *Les fils de fixation lâches et en rotation peuvent s'enchevêtrer sur vos doigts ou s'accrocher sur la pièce à usiner.*

### Mises en garde de sécurité spécifiques aux opérations de brossage métallique

- a) **Garder à l'esprit que des brins métalliques sont rejetés par la brosse même au cours d'une opération ordinaire. Ne pas soumettre à une trop grande contrainte les fils métalliques en appliquant une charge excessive à la brosse.** *Les brins métalliques peuvent aisément pénétrer dans des vêtements légers et/ou la peau.*
- b) **Si l'utilisation d'un protecteur est recommandée pour le brossage métallique, ne permettre aucune gêne du touret ou de la brosse métallique au protecteur.** *Le touret ou la brosse métallique peut se dilater en diamètre en raison de la charge de travail et des forces centrifuges.*

## Description de l'appareil électrique

Avant de commencer le travail avec l'appareil électrique, prenez connaissance des particulari-

tés de son fonctionnement et des conditions de sécurité à respecter.

L'appareil et ses accessoires doivent être utilisés uniquement pour les travaux pour lesquels ils ont été prévus. Toute autre utilisation est strictement interdite.

1. Arbre porte-meule
- 2.1. Protection du disque de meulage
- 2.2. Protection du disque de découpage\*
3. Bride de butée
- 4.1. Disque pour le meulage (À utiliser uniquement avec la protection du disque de meulage!)\*
- 4.2. Disque de découpage (À utiliser uniquement avec la protection du disque de découpage!)\*
5. Bride de serrage
6. Poignée latérale
7. Interrupteur marche/arrêt
8. Réglage électronique de la vitesse de rotation (M 750E HD)
9. Bouton de blocage de la broche

### ACCESSOIRES POUVANT ETRE UTILISES AVEC CET APPAREIL ELECTRIQUE

10. Brosse métallique\*
11. Plateau en plastique (en caoutchouc)\*
12. Toile émeri ou fourreau abrasif\*
13. Ecrou spécial\*

\* Les attachements démontrés sur les images ou décrits dans la notice originale ne sont pas fournis avec l'outil.

## Instructions pour le travail

Ces appareils électriques sont alimentés uniquement par un courant alternatif monophasé. Ils possèdent une double isolation, conformément à EN 60745 et IEC 60745-1 et peuvent être branchés à des prises qui ne possèdent pas de bornes de protection. Pour ce qui est des interférences radio, il est conforme aux la directive sur la compatibilité électromagnétique.

Cet appareil électrique est destiné à couper, meuler et brosser principalement des métaux sans l'utilisation d'eau.

### AVANT LE DEBUT DU TRAVAIL

- La machine peut posséder une protection montée en usine. Assurez-vous que la protection est montée correctement et qu'elle est

fixée de manière fiable avant la première utilisation et toutes les utilisations suivantes.

- La machine peut posséder un disque monté en usine. Assurez-vous que le disque est monté correctement et qu'il est serré de manière fiable avant la première utilisation et toutes les utilisations suivantes.
- Assurez-vous que la tension du secteur correspond à celle indiquée sur la plaquette contenant les données techniques sur l'instrument.
- Vérifiez la position de l'interrupteur. L'appareil doit être toujours branché et débranché du secteur son interrupteur étant en position OFF. Si vous branchez l'appareil au secteur son interrupteur étant en position de marche, l'appareil se mettra immédiatement a fonctionner, ce qui crée un danger d'accident.
- Assurez-vous que le câble électrique et sa fiche sont en parfait état. Si le câble d'alimentation est endommagé, il doit être remplacé par le producteur ou un spécialiste agréé par celui-ci afin d'éviter les éventuels risques liés a son remplacement.



**AVERTISSEMENT:** Arrêtez toujours l'appareil électrique et débranchez-le du réseau avant d'effectuer sur celui-ci tout réglage et opération de service ou d'entretien ou lors d'une baisse de la tension dans le réseau d'alimentation.

- Lors de l'utilisation de disques à tronçonner diamantés, veillez à ce que la flèche indiquant le sens de rotation qui se trouve sur le disque diamanté à tronçonner coïncide avec le sens de rotation de l'outil électroportatif (voir la flèche indiquant le sens de rotation qui se trouve sur le carter d'engrenage).
- Assurez-vous que le diamètre et l'épaisseur du disque ne dépassent pas les dimensions mentionnées dans les données techniques. La vitesse périphérique autorisée, indiquée sur le disque, ne doit pas être inférieure a 80 m/s. Les disques doivent être conservés en conformité avec les instructions de leur producteur.
- Si la zone de travail est éloignée de la prise de courant, utilisez une rallonge aussi courte que possible, à section du câble appropriée.
- Vérifiez si la poignée auxiliaire est correctement montée et bien serrée.

## MARCHE - ARRÊT

Démarrage: Le glisseur de l'interrupteur 7 est

pressé dans sa partie arrière, puis il est poussé en avant suivant la direction de la flèche jusqu'à l'enfoncement et le blocage de sa partie frontale.

Arrêt: Appuyer sur l'extrémité arrière de l'interrupteur 7 et le relâcher; il retrouve automatiquement sa position initiale.

## RÉGLAGE ÉLECTRONIQUE DE LA VITESSE DE ROTATION (M 750E HD Compact)

Le travail prolongé avec des vitesses de rotation réduites n'est pas recommandé avec les suivants outils: M 750E HD Compact.

Pour régler la vitesse de rotation souhaitée, utiliser la molette du variateur électronique 8 se trouvant à l'arrière de la meuleuse.

Pour les diverses opérations à effectuer, il est recommandé de sélectionner la vitesse sur la molette du variateur électronique comme suit:

Champs d'application	Position de la molette
1. Meulage de matières plastiques à l'aide d'une meule en plastique ou d'un disque abrasif	A - C
2. Meulage du bois et nettoyage de surface laquée ou peinte	B - D
3. Meulage de métaux à l'aide d'une meule en plastique ou d'un disque abrasif	C - F
4. Nettoyage de la rouille à l'aide d'une brosse métallique	D - F
5. Dégrossissage, tronçonnage de métaux ou de pierres	G
6. Polissage à l'aide d'un plateau en plastique et un dispositif de polissage	A - B

Les modèles M 750E HD Compact possèdent une électronique bisempériodique pour :

- Le démarrage progressif et la limitation automatique du courant ;
- La présélection et le réglage de la vitesse ;

## CAPOT DE PROTECTION DE LA MEULE



**AVERTISSEMENT:** La protection 2.1 du disque de meulage ou la protection 2.2 du disque de découpage (destinées, respectivement, au disque de meulage 4.1 ou au disque de découpage 4.2) doit toujours être installée sur la machine !

La poignée latérale sera fixée à gauche ou à droite de la machine, en fonction du confort de

l'utilisateur.

## CHANGEMENT D'À MEULE

L'arbre 1 de la meuleuse est fixé en appuyant sur le bouton 9 qui se trouve sur la boîte de réduction.



**AVERTISSEMENT:** N'appuyez pas sur le bouton 9 pendant que la broche tourne.

(Après avoir appuyé sur le bouton, tourner l'arbre jusqu'à ce qu'elle s'enfonce). Puis, dévisser la bride de serrage 5 à l'aide de la clé spéciale fournie avec la machine. Poser la nouvelle meule sur la bride de butée 3 avec les inscriptions portées par la meule coté machine et revisser la bride de serrage 5 (sa partie plate du côté de la meule) à l'aide de la clé à ergots. Utiliser des rondelles de papier si elles sont fournies avec la meule. Après un changement du disque, laisser la machine fonctionner à vide 1 minute environ avec le nouvel outil. Les disques vibrants ou ne tournant pas rond doivent être remplacés immédiatement.

La brosse en fils de métal 10 est vissée directement sur l'arbre 1 à l'aide d'une clé à écrou. (Vérifier la longueur du filet de la brosse: elle doit être suffisante pour enfermer le filet de l'arbre.). Les meulages à feuille abrasive et le polissage sont réalisés avec un plateau en caoutchouc 11, auquel sont fixées la feuille abrasive ou la bonnette de lustrage 12. Le plateau souple 11 est fixé sur bride de butée 3 et vissé avec l'écrou spécial dont il est équipé. Refouler les bords de la corde entre la bonnette et le plateau de polissage en caoutchouc. En cas d'utilisation d'un plateau à bride intercale: visser le plateau directement sur l'arbre avec une clé à ergots, sans utiliser la bride de serrage 5. Le plateau à bride intercale peut être soit une éponge contenant de la résine, soit être élaboré à partir de la mousse de polyuréthane avec une plaque porteuse en plastique. Dans ce cas, la feuille abrasive de meulage ou la bonnette en peau de mouton sont fixées au plateau en mousse de polyuréthane grâce au système auto-agrippant. Après un changement du plateau, laisser la machine fonctionner à vide 1 minute environ avec le nouvel outil. Les disques vibrants ou ne tournant pas rond doivent être remplacés immédiatement.

## MONTAGE DU CARTER DE MEULE

Débrancher la prise avant toute opération d'en-

retien ou de réglage de la machine.

### Montage du carter de meule (Fig. 1)

- Faites tourner la bague noire en matière plastique (fig. 2) de façon à ce que la fente S de la bague coïncide avec l'entaille où se loge la dent du levier de verrouillage L.

- Monter le carter dans une position de maniement en veillant (Fig. 2) à ce que les quatre dents de fixation s'engagent dans les quatre rainures sur le siège du roulement (Fig. 3).

- Pressez sur le carter vers le bas et faites-le tourner en sens horaire jusqu'à la position de travail désirée, dans laquelle le carter est verrouillé à l'aide du levier de verrouillage L.

### Réglage du carter en cours de travail

- Faites tourner le carter uniquement en sens horaire jusqu'à la position de travail désirée, dans laquelle le carter est verrouillé à l'aide du levier de verrouillage L.

### Démontage du carter

- Faites tourner le carter en position de repos (fig. 3) en veillant à ce que les quatre dents de fixation s'engagent dans les quatre rainures du logement du palier, puis sortez-le en le tirant vers le haut (fig. 2).

## POIGNÉE LATÉRALE

Avant toute utilisation de la machine, l'utilisateur fixera la poignée latérale à gauche ou à droite, en fonction de son propre confort et de ses habitudes de travail.

## CHANGEMENT DE L'ANGLE DU BOITIER DE LA MACHINE

Pour les travaux de tronçonnage ou pour une meilleur confort de l'utilisateur gaucher, il est possible de modifier la position du corps de la meuleuse de 90° à 180° par rapport à la surface du matériau. Ces modifications doivent être effectuées dans une station-service agréée pour outils électriques manuels SPARKY.

## RECOMMANDATIONS

Lors du travail avec un disque à tronçonner, n'exercez pas de pression et ne déplacez pas le disque en dehors de la ligne de coupe. Maintenez un avancement modéré convenant au matériel traité.

Il est important de respecter la direction de coupe. L'avancement de la machine doit être en sens contraire au sens de rotation du disque. Autrement, on risque de provoquer un mouvement incontrôlable du disque hors de la fente.

Lors de la coupe de profils et de tubes à sec-

tion rectangulaire, il est recommandé d'aborder cette coupe du côté le plus petit.

Lors du meulage, ne pressez pas fortement la machine sur la surface traitée, mais opérez par mouvements progressifs de va-et-vient. Les métaux légers sont traités à l'aide de disques spéciaux. Lors des gros travaux de meulage, les meilleurs résultats sont obtenus à un angle de travail de 30° à 40° entre la meule et la surface traitée. Pour les gros travaux de meulage, il est interdit d'utiliser des disques à tronçonner. L'utilisation de meules d'une épaisseur de plus de 6 mm est déconseillée.

## Entretien



**AVERTISSEMENT:** Arrêtez toujours l'appareil et débranchez-le du réseau avant d'effectuer sur celui-ci toute vérification et toute opération d'entretien.

### REPLACEMENT DES BALAIS

Lorsque les balais sont usés, il faut les remplacer les deux à la fois par des balais d'origine de SPARKY pour l'entretien de l'appareil dans le cadre de la garantie et en dehors de celle-ci.

### EXAMEN GENERAL

Vérifiez régulièrement tous les éléments de fixation pour vous assurer qu'ils sont solidement serrés. Si quelque vis s'est desserrée, resserrez-la immédiatement afin d'éviter tout risque. Si le câble d'alimentation est endommagé, il doit être remplacé par le producteur ou un spécialiste agréé par celui-ci afin d'éviter les éventuels risques liés à son remplacement.

### NETTOYAGE

Pour assurer un fonctionnement sécurisé, entretenez toujours l'appareil et ses orifices de ventilation propres.

Vérifiez régulièrement si dans les orifices de ventilation du moteur électrique ou autour des commutateurs il n'y a pas de poussière ni de corps étrangers. Utilisez une brosse douce et/ou un jet d'air comprimé pour éliminer la poussière accumulée à ces endroits. Afin de protéger vos yeux, lors des opérations de nettoyage, portez

des lunettes de protection.

Si le boîtier de l'appareil a besoin d'être nettoyé, essuyez-le à l'aide d'un chiffon doux humide. Vous pouvez utiliser un produit de nettoyage peu agressif.

Lors du travail dans un milieu saturé de poussière (coupe de pierre), il faut obligatoirement, à la fin de la journée de travail (après 8 heures de travail) nettoyer les orifices de ventilation et le glisseur de la machine, celle-ci marchant au ralenti, à l'aide de l'air comprimé ou en tapotant légèrement la machine à proximité des orifices de ventilation à l'aide d'un objet non métallique (Fig. 6a,6b).



**AVERTISSEMENT:** Il est interdit d'utiliser de l'alcool, de l'essence ou d'autres solvants. N'utilisez jamais des produits agressifs pour le nettoyage des pièces en matière plastique.



**AVERTISSEMENT:** Ne pas permettre à de l'eau d'entrer en contact avec l'appareil.

**AVIS IMPORTANT!** Afin d'assurer la sécurité du travail avec l'appareil et le fonctionnement fiable de celui-ci, toutes les opérations de réparation, d'entretien et de réglage (y compris la vérification de l'état des balais et leur remplacement) doivent être effectuées dans les centres d'entretien agréés de SPARKY avec l'utilisation exclusive de pièces d'origine.

## Garantie

---

La période de garantie des outils électroportatifs SPARKY est définie dans le contrat de garantie. La garantie ne couvre pas les pannes apparues suite à l'usure naturelle, une surcharge ou une mauvaise exploitation.

Les pannes survenues pour cause de matériaux défectifs et/ou d'erreurs de fabrication seront réparées gratuitement ou le produit sera échangé.

Les réclamations pour un instrument SPARKY défectueux seront honorées si la machine est retournée au livreur ou est présentée à un service après-vente agréé assemblé et dans son état original (assemblée).

## Notes

---

Lire attentivement les instructions avant d'utiliser ce produit.

Le producteur retient son droit d'améliorer ses produits et de changer les spécifications sans avis spécial.

Les spécifications peuvent varier selon le pays.



# Indice

Introduzione .....	37
Dati tecnici .....	39
Istruzioni generali di sicurezza nel lavoro con elettroutensili .....	40
Istruzioni supplementari di sicurezza nel lavoro con smerigliatrici angolari .....	41
Prendere visione dell'elettroutensile .....	A/45
Istruzioni per l'uso .....	45
Manutenzione .....	47
Garanzia .....	48

## DISIMBALLO

Prima dell'uso verificare la presenza di tutti i componenti e degli accessori elencati. In caso di mancanze o apparenti difetti rivolgersi al rivenditore specializzato. L'inosservanza di tale raccomandazione potrebbe provocare gravi incidenti.

## ASSEMBLAGGIO

La smerigliatrice angolare viene fornita imballata e completamente montata, ad eccezione del riparo e dell'impugnatura supplementare.

## Introduzione

---

Questo utensile SPARKY supererà le Vostre aspettative. La produzione secondo i rigorosi standard di qualità SPARKY assicura un'ottima prestazione. Se utilizzato correttamente, l'utensile risulterà maneggevole e sicuro, e garantirà un uso duraturo.

### AVVERTENZA:



Leggere attentamente tutte le istruzioni prima dell'utilizzo dell'utensile. Leggere con cura soprattutto le parti introdotte da "Attenzione!". Questo utensile SPARKY presenta numerose caratteristiche che faciliteranno il Suo lavoro. Sicurezza, qualità ed affidabilità sono punti chiave nello sviluppo di questo utensile, e lo rendono semplice nell'uso e nella manutenzione.

### Non smaltire elettroutensili insieme a rifiuti domestici!



Residui di prodotti elettrici devono essere smaltiti separatamente dai rifiuti domestici e sottoposti ad un riciclaggio ecologico. Si prega di informarsi presso le autorità locali o i rivenditori specializzati circa il più vicino luogo di raccolta.

### RISPETTO DELL'AMBIENTE



Macchina, accessori ed imballaggio devono essere destinati ad una riutilizzazione ecologica per il recupero di materie prime.  
I componenti in plastica sono contrassegnati per relativo riciclaggio.

## SIMBOLI

L'etichetta che si trova sulla macchina contiene alcuni simboli. Questi forniscono importanti informazioni sull'utensile o istruzioni sull'uso dello stesso.



Doppio isolamento per una protezione supplementare



Filettatura di attacco dell'alberino M14



Corrisponde alle direttive europee applicabili.



Corrisponde alle esigenze dei regolamenti dell'unione doganale.



Conforme alle esigenze dei documenti normativi ucraini.



Prendere conoscenza delle istruzioni per l'uso



Indossare sempre occhiali protettivi


YYYY-Www Periodo di produzione, ove i simboli variabili sono:

YYYY – l'anno di produzione,

ww – la settimana di calendario consecutiva

M Smerigliatrice angolare.

## Dati tecnici

Modello	M750 HD Compact	M750E HD Compact
Potenza assorbita	750 W	750 W
Numero di giri nominale	10500 min <sup>-1</sup>	3500-10500 min <sup>-1</sup>
Filettatura di attacco dell'alberino	M14	M14
Lunghezza della filettatura dell'alberino	20 mm	20 mm
Diametro interno della mola	22,23 mm	22,23 mm
Diametro massimo della mola	125 mm	125 mm
Spessore massimo della mola	6 mm	6 mm
Peso (la procedura EPTA 01/2014)	1,8 kg	1,9 kg
Classe di protezione (EN 60745-1) 	II	II

### INFORMAZIONI SUL RUMORE E SULLE VIBRAZIONI

I valori sono stati misurati conformemente all'EN 60745.

#### Emissione acustica

A-livello di pressione sonora ponderata L <sub>pA</sub>	86 dB(A)	85 dB(A)
Indeterminazione K <sub>pA</sub>	3 dB(A)	3 dB(A)
A-livello di potenza sonora ponderata L <sub>WA</sub>	97 dB(A)	96 dB(A)
Indeterminazione K <sub>WA</sub>	3 dB(A)	3 dB(A)

Usare mezzi per protezione dal rumore!

#### Emissione di vibrazioni \*

Valore totale delle vibrazioni (somma vettoriale lungo i tre assi), determinato conformemente alla norma EN 60745:

Smerigliatura di superfici		
Valore delle vibrazioni emesse a <sub>h,AG</sub>	10,8 m/s <sup>2</sup>	10,6 m/s <sup>2</sup>
Indeterminazione K <sub>AG</sub>	1,5 m/s <sup>2</sup>	1,5 m/s <sup>2</sup>
Smerigliatura con carta vetrata		
Valore delle vibrazioni emesse a <sub>h,DS</sub>		<2,5 m/s <sup>2</sup>
Indeterminazione K <sub>DS</sub>		1,5 m/s <sup>2</sup>

\* Le vibrazioni sono state determinate conformemente al punto 6.2.7 della norma EN 60745.

Il livello di vibrazione sopra indicato è stato definito seguendo il metodo di misurazione riportato nella normativa EN 60745 e può essere utilizzato per confrontare tra di loro diversi elettrotensili. Inoltre è adatto per effettuare una stima provvisoria del livello di esposizione.

Il livello di vibrazione si riferisce alle modalità d'uso principali dell'utensile. Tuttavia, se utilizzato per scopi diversi da quelli previsti, con punte poco stabili o senza adeguata manutenzione, il livello di vibrazione può variare. Ciò può aumentare sensibilmente il livello di esposizione durante il lavoro.

Per una precisa definizione del livello di esposizione dovrebbe essere preso in considerazione anche l'arco di tempo in cui l'utensile è spento o funzionante ma non in uso. Ciò può ridurre sostanzialmente il livello di esposizione durante il lavoro.

Utilizzare l'utensile e gli accessori con cura, e maneggiarlo mantenendo le mani calde così da ridurre gli effetti dannosi dell'elevato livello di vibrazioni.

Polvere derivante da materiali come vernici contenenti particelle di piombo, alcuni tipi di legno, minerali e metallo potrebbe essere nociva. Il contatto o l'inhalazione di tali polveri potrebbe causare reazioni allergiche e/o problemi al sistema respiratorio dell'utente o di terzi.

Talune tipologie di polveri, come ad esempio quella derivante da legno di quercia o faggio, soprattutto se trattati con additivi e conservanti, sono classificate come cancerogene. Si consiglia di fare trattare materiali contenenti asbesto solo a persone esperte.

- Se possibile collegare sempre la macchina ad un dispositivo di aspirazione.
- Tenere l'area di lavoro ben pulita e ventilata.
- Si consiglia l'uso di una mascherina o filtro di classe P2.

Osservare le direttive nazionali relative al materiale da lavorare.

# Istruzioni generali di sicurezza nel lavoro con elettro utensili



**AVVERTENZA!** Leggere tutte le istruzioni d'uso e le avvertenze di sicurezza. L'inosservanza delle istruzioni seguenti può causare folgorazioni, incendi e/o gravi danni a persone.

Conservare con cura queste istruzioni.

Il termine "utensile" in tutte le avvertenze successive si riferisce sia agli utensili collegati alla rete elettrica (con cavo di alimentazione) che agli utensili a batteria (senza cavo).

## 1) Area di lavoro

- Mantenere l'area di lavoro pulita e ben illuminata. Le zone buie ed ingombre di oggetti favoriscono incidenti.
- Non utilizzare l'utensile in presenza di liquidi infiammabili, gas o polvere. Le scintille generate potrebbero infiammare polvere e/o vapore.
- Tenere a distanza bambini e terzi durante il funzionamento. Per una distrazione potreste perdere il controllo dell'utensile.

## 2) Sicurezza elettrica

- La spina dell'utensile deve essere adatta alla presa utilizzata. Non modificare la spina in alcun modo. Non utilizzare adattatori con gli utensili collegati a terra. L'impiego di una spina integra ed una presa adatta riduce i rischi di folgorazione.
- Evitare di toccare con il corpo le superfici collegate a terra quali tubi, radiatori, forni e frigoriferi. Il rischio di folgorazione aumenta se il corpo è collegato a terra.
- Non esporre l'utensile alla pioggia e all'umidità. La penetrazione d'acqua nell'utensile aumenta il rischio di folgorazione.
- Non utilizzare il cavo per scopi diversi da quello previsto. Non utilizzare il cavo per trasportare o tirare l'utensile, oppure per staccare la spina dalla presa. Tenere il cavo lontano da fonti di calore, olio, parti appuntite o in movimento. Cavi danneggiati o attorcigliati aumentano il rischio di folgorazione.

- Se l'utensile viene utilizzato all'aperto, usare una prolunga adatta all'uso esterno. L'impiego di una prolunga da esterno riduce il rischio di folgorazione.
- Se il lavoro in un ambiente umido è strettamente necessario, utilizzare una presa protetta da dispositivo a corrente residua. Ciò riduce i rischi di scosse.

## 3) Sicurezza personale

- L'uso di elettro utensili richiede attenzione e buon senso. Non utilizzare gli utensili se si è stanchi o sotto l'effetto di droghe, alcol o medicinali. Una breve distrazione può provocare gravi danni alle persone.
- Munirsi di indumenti e dispositivi di protezione. Indossare sempre occhiali da lavoro. L'uso di dispositivi di protezione tra cui mascherina antipolvere, scarpe antiscivolo, casco e protezioni per l'udito riduce il rischio di danni a persone.
- Evitare l'accensione accidentale. Accertarsi che l'interruttore sia in posizione "OFF" prima di inserire la spina. Se si trasportano gli utensili con il dito sull'interruttore o si inserisce la spina nella presa con l'interruttore in posizione "ON" aumenta il rischio di incidenti.
- Togliere tutte le chiavi di regolazione prima di accendere l'utensile. Una chiave lasciata inserita in una parte rotante di un utensile può provocare danni a persone.
- Non utilizzare l'utensile in condizioni estreme. Mantenere sempre l'equilibrio ed i piedi ben appoggiati a terra. Questo consente un maggior controllo dell'utensile in caso di imprevisti.
- Indossare un abbigliamento adeguato. Non indossare abiti svolazzanti o gioielli. Tenere capelli, vestiti, e guanti lontani dalle parti in movimento. Abiti svolazzanti, gioielli o capelli potrebbero impigliarsi nelle parti in movimento.
- In presenza di apparecchiature per il collegamento a dispositivi di aspirazione e raccolta delle polveri, accertarsi che essi siano collegati ed utilizzarli correttamente. L'uso di queste apparecchiature può ridurre i rischi causati dalla polvere.

## 4) Uso e manutenzione dell'utensile

- Utilizzare l'utensile più adatto per il lavoro da svolgere. L'impiego dell'utensile giusto migliora la qualità del lavoro e la sicurezza.

- b) **Non utilizzare l'utensile se non è possibile accenderlo e spegnerlo con l'apposito interruttore.** *Gli utensili che non possono essere controllati con l'interruttore sono pericolosi e devono essere riparati.*
- c) **Staccare la spina dall'alimentazione di corrente prima di eseguire regolazioni, cambiare accessori o riporre l'utensile.** *Osservando queste precauzioni si riduce il rischio di accensione accidentale dell'utensile.*
- d) **Riporre gli utensili non utilizzati fuori dalla portata dei bambini e non consentirne l'utilizzo a persone che non conoscono l'utensile o queste istruzioni.** *Nelle mani di persone inesperte gli utensili possono diventare pericolosi.*
- e) **Sottoporre l'utensile a manutenzione. Verificare il corretto allineamento di tutte le parti mobili, controllare che non siano grippate e che non vi siano rotture o altri guasti che potrebbero influire sul funzionamento dell'utensile. Far riparare gli utensili danneggiati prima di riutilizzarli. Molti incidenti sono causati da utensili in pessime condizioni.**
- f) **Tenere le punte e gli strumenti da taglio puliti ed affilati.** *Se sottoposti ad una regolare manutenzione e pulizia consentono di lavorare in modo più preciso e sono maggiormente controllabili.*
- g) **Utilizzare l'utensile, gli accessori, gli attrezzi etc. secondo quanto indicato in queste istruzioni nonché tenendo in considerazione le condizioni di lavoro e il lavoro da eseguire.** *L'impiego di utensili per scopi diversi da quelli per cui sono stati progettati può dare origine a situazioni pericolose.*

#### 5) Manutenzione

- a) **Far riparare l'utensile da personale qualificato che utilizzi solo parti di ricambio originali.** *In caso contrario la sicurezza dell'utensile potrebbe risultare compromessa.*

## Istruzioni supplementari di sicurezza nel lavoro con smerigliatrici angolari

**Istruzioni generali di sicurezza nella smerigliatura con mola abrasiva, smerigliatura con carta vetrata, pulizia con spazzola metallica, politura e taglio con mola abrasiva:**

- a) **Questo elettroutensile può essere usato come una levigatrice con mola abrasiva, con carta vetrata, con spazzola metallica, lucidatrice e macchina da taglio con mola abrasiva. Leggere tutte le istruzioni di sicurezza e altre, immagini e dati che avete ricevuto con la macchina.** *Il mancato rispetto delle istruzioni di sicurezza può provocare scossa elettrica, incendio e/o ferimento grave.*
- b) **Questo elettroutensile non è adatto per politura.** *Operazioni per le quali l'elettroutensile non è disegnato, possono generare pericolo e provocare ferimento. (M 750 HD Compact)*
- c) **Non usare accessori che non sono permessi e raccomandati dal fabbricante specificamente per questo elettroutensile.** *Il fatto che si può fissare l'accessorio al Vostro elettroutensile non garantisce l'uso sicuro.*
- d) **Il numero di giri nominale dell'accessorio deve essere almeno uguale a quello massimo indicato sull'elettroutensile.** *Accessori che girano con una velocità superiore alla loro velocità nominale, potrebbero rompersi e i loro pezzi volare via.*
- e) **Il diametro esterno e lo spessore dell'utensile devono rientrare nei limiti indicati sul Vostro apparecchio elettrico.** *Accessori con dimensioni inconvenienti non possono essere protetti o guidati bene.*
- f) **Accessori con filetto riportato devono essere adatti in modo preciso alla filettatura dell'alberino.** *Negli accessori che vengono montati tramite flangia, il diametro del foro dell'accessorio deve corrispondere al diametro di alloggiamento della flangia.* *Accessori che non vengono fissati in modo preciso all'elettroutensile*

non ruotano in modo uniforme, vibrano molto forte e possono provocare la perdita del controllo.

- g) **Non usare accessori guasti.** Verificare prima di ogni impiego gli accessori – i dischi abrasivi per frastagliature e incrinature, i dischi elastici per incrinature, lacerazione o forte logorio, le spazzole metalliche per fibre allentate o rotte. Se l'elettrotensile o l'accessorio viene lasciato cadere, controllare per danneggiamento o montare l'accessorio non danneggiato. Avendo controllato e montato l'accessorio, mettersi insieme alle persone estranee fuori del piano di rotazione dell'accessorio e lasciare l'elettrotensile funzionare a giri massimi a vuoto per un minuto. Di solito questo tempo è sufficiente per gli accessori guasti di rompersi.
- h) **Indossare mezzi personali di protezione.** A seconda del caso concreto, usare uno scudo protettivo per la faccia, od occhiali protettivi. Usare se necessario maschera antipolvere, mezzi per protezione dell'udito, guanti protettivi o un grembiule speciale, per trattenere le particelle provenienti dall'accessorio di smerigliatura o dal pezzo da lavorare. I mezzi per protezione degli occhi devono proteggere dai frammenti volanti risultanti dalle diverse operazioni. Le maschere antipolvere o antigas devono filtrare le particelle emanate durante il lavoro. L'esposizione continuativa a forte rumore può provocare perdita dell'udito.
- i) **Tenere le persone estranee a distanza sicura dall'area del lavoro.** Ogni individuo che si trova nell'area del lavoro deve indossare mezzi personali di protezione. È possibile che frammenti volanti provenienti dal pezzo da lavorare o da un accessorio rotto causino ferimento anche fuori dai limiti dall'immediata area di lavoro.
- j) **Tenere l'elettrotensile soltanto per le zone isolate appositamente per essere tenute durante l'esecuzione di un'operazione, nella quale l'accessorio di taglio potrebbe toccare un impianto elettrico nascosto o il proprio cordone.** Il contatto dell'accessorio di taglio a conduttore sotto tensione metterà le parti metalliche aperte dell'elettrotensile sotto tensione e l'operatore subirà una scossa elettrica.
- k) **Tenere il cavo di alimentazione fuori**

**della portata operativa dell'accessorio girante.** Se si perde il controllo dell'elettrotensile, il cavo di alimentazione potrebbe essere tagliato, o intricare il palmo o la mano nella portata dell'utensile girante.

- l) **Non posare mai l'elettrotensile prima che l'accessorio abbia completamente smesso di girare.** L'accessorio girante potrebbe impigliare il materiale lavorato e farvi perdere il controllo dell'elettrotensile.
- m) **Non lasciare l'elettrotensile in funzionamento mentre viene portato.** Un tocco casuale dell'accessorio girante agli indumenti potrebbe impigliarli e l'accessorio potrebbe ferire il vostro corpo.
- n) **Pulire regolarmente i fori di ventilazione dell'elettrotensile.** Il ventilatore del motore elettrico succhia polvere nella carcassa, e l'ammassamento eccessivo di polvere metallica può causare pericolo di scossa elettrica.
- o) **Non usare l'elettrotensile in vicinanza di materiali infiammabili.** Le scintille possono accendere tali materiali.
- p) **Non usare accessori il lavoro con i quali richiede mezzi liquidi refrigeranti.** L'uso di acqua o altri mezzi liquidi refrigeranti potrebbe causare lesione o scossa elettrica.
- Usare l'elettrotensile soltanto secondo la sua destinazione d'uso. Ogni altro impiego, differente da quello descritto in queste istruzioni, sarà considerato impiego erroneo. La responsabilità per qualsiasi guasto o ferimento che risulta da uso erroneo, cadrà sull'utente, e non sul fabbricante.
  - Il fabbricante non sarà tenuto responsabile per modifiche apportate dall'utente all'elettrotensile, o per guasti causati da tali modifiche.
  - Al lavoro in un ambiente polveroso mantenere puliti i fori di ventilazione della macchina. Se devono essere puliti dalla polvere, disniserire prima l'alimentazione elettrica e usare oggetti non metallici per pulire la polvere, stando attenti di non danneggiare i pezzi interni della macchina. L'elettrotensile sarà sovriscaldato con raffreddamento diminuito a causa dei fori di ventilazione impolverati.
  - Non usare l'elettrotensile all'aperto quando piove, in un ambiente umido (dopo una pioggia), o in vicinanza di liquidi o gas fa-



*cilmente infiammabili. Mantenere il posto di lavoro ben illuminato.*

## **Altre istruzioni di sicurezza per tutte le operazioni**

### **Rimbalzo (contraccolpo) e le istruzioni di sicurezza relative ad esso**

Il rimbalzo è la reazione subitanea in seguito ad un incastro o bloccaggio di accessorio, per esempio un disco abrasivo, disco elastico, spazzola metallica, ecc. L'incastro o bloccaggio cagiona l'improvviso arresto della rotazione dell'accessorio, che da parte sua spinge l'elettrotensile incontrollabile nella direzione contraria al senso di rotazione dell'utensile nel punto d'incastro.

Per esempio se il disco abrasivo si incastra o si blocca nel pezzo da lavorare, lo spigolo del disco abrasivo, il quale è incuneato nel pezzo da lavorare, si inceppa e in seguito a ciò il disco può rompersi o causare rimbalzo. Il disco abrasivo rimbalza verso o dall'operatore, a seconda del senso di rotazione del disco nel punto del bloccaggio. A queste circostanze è possibile che i dischi abrasivi si rompano.

Il rimbalzo è il risultato di uso erroneo e/o operazione erronea, o improprie condizioni di lavoro con l'elettrotensile, che si potrebbe prevenire attraverso le precauzioni adatte, descritte qui di seguito.

- a) **Tenere l'elettrotensile saldamente con entrambe le mani, occupare un atteggiamento appropriato, e mettere le mani di modo che si possa trattenere la forza del rimbalzo. Usare sempre l'impugnatura supplementare, se l'elettrotensile ne è munito, per avere il maggiore controllo possibile della forza del rimbalzo, o del momento reattivo all'inserimento. Attraverso le precauzioni adatte l'operatore può contenere il momento reattivo ed il rimbalzo.**
- b) **Non mettere mai le mani in prossimità dell'accessorio rotante. L'accessorio potrebbe balzare sulla vostra mano.**
- c) **Non mettersi entro il raggio in cui l'elettrotensile avrebbe avanzato ad un rimbalzo. Il rimbalzo muove l'elettrotensile nel senso contrario al movimento del disco, nel punto di bloccaggio.**
- d) **Nel trattare angoli, spigoli acuti, ecc., lavorare con attenzione aumentata. Non permettere all'accessorio di balzare o di bloccarsi nel pezzo lavorato. Nella lavorazione di angoli o spigoli acuti esiste la**

*probabilità per l'accessorio rotante di incunearsi, causando così la perdita di controllo o rimbalzo.*

- e) **Non impiegare dischi a catena o dischi per sega circolare usata nella lavorazione di legname. Tali accessori causano spesso un rimbalzo o la perdita di controllo dell'elettrotensile.**
  - **Fissare il pezzo da lavorare in una morsa o in qualche altro modo conveniente.**

### **Istruzioni specifiche di sicurezza nella levigatura e nel taglio con mola abrasiva**

- a) **Usare soltanto i tipi di mole consigliate per l'elettrotensile, con riparo previsto per esse. Mole per cui l'elettrotensile non è disegnato, non possono essere protette sufficientemente e non sono senza pericolo.**
- b) **Dischi abrasivi piegati a gomito devono essere montati in modo tale che la loro superficie abrasiva non sporga oltre il piano del bordo della cuffia di protezione. Un disco abrasivo montato in modo non corretto che sporge dal piano del bordo della cuffia di protezione non può essere schermato sufficientemente.**
- c) **Fissare il riparo all'elettrotensile in maniera affidabile e posizionarlo in modo che possa provvedere la massima sicurezza, cioè che la minore possibile parte della mola sia aperta all'operatore. Il riparo deve proteggere l'operatore da frammenti, da contatto fortuito con la mola e scintille, le quali potrebbero accendere gli indumenti.**
- d) **Usare le mole soltanto per le applicazioni consigliate. Per esempio non smerigliare mai con la superficie laterale di un disco da taglio. I dischi da taglio sono disegnati ad asportare materiale con il bordo tagliente del disco. L'esercitazione di pressione laterale su un tale disco potrebbe romperlo.**
- e) **Usare sempre flange di serraggio in buono stato, con dimensioni e forma adatte per il disco scelto. Le flange di serraggio selezionate bene serrano il disco e diminuiscono il pericolo che sia rotto. Le flange di serraggio per dischi da taglio possono differire dalle flange di serraggio per dischi di altri tipi.**
- f) **Non usare dischi logorati di elettrotensile.**

**sili più grossi.** *Il disco per un elettrotensile maggiore non è adatto per il superiore numero di giri di un elettrotensile minore, e potrebbe rompersi.*

- **Osservare sempre il senso di rotazione del disco.** *La forza reattiva è contraria al senso di rotazione nel posto di smerigliatura o taglio, e potrebbe causare la perdita di controllo dell'elettrotensile.*
- **Tenere sempre la macchina in modo che le scintille e la polvere causate dalla smerigliatura siano sparse a disparte dal corpo.** *Gli elettrotensili formano scintille che possono bruciacchiare gli indumenti o parti non protette del corpo.*
- **Non è ammesso smerigliare o tagliare carpenterie metalliche appena verniciate, prima che la vernice sia essiccata.** *Esiste il pericolo di accensione di vernice non essiccata.*
- **Non è ammesso tagliare materiali infiammabili (legno, plastiche, ecc.) e pannelli doppi del tipo a "sandwich" con ripieno combustibile.** *Esiste il pericolo di scoppio d'incendio.*
- **Non è ammesso smerigliare o tagliare attrezzature funzionanti sotto pressione.** *Esiste il pericolo di scoppio di esplosione.*
- **Non è ammesso smerigliare o tagliare serbatoi, tubazioni, apparecchi, ecc., nei quali ci sono o c'erano sostanze o materiali combustibili o facilmente infiammabili, senza prendere le apposite misure di sicurezza contro incendio o esplosione.** *Esiste il pericolo di scoppio d'incendio o di esplosione.*

### Istruzioni specifiche di sicurezza nel taglio con mola abrasiva

- a) **Non permettere al disco da taglio di incunearsi, ed evitare di applicare troppa pressione. Non cercare di fare tagli troppo profondi.** *Il sovraccarico del disco da taglio aumenta la sua usura e suscettibilità di torsione o bloccaggio, e dunque la possibilità di rimbalzo o rottura del disco.*
- b) **Non mettersi nell'area davanti o dietro il disco da taglio.** *Se il disco da taglio nel posto del taglio si allontana dal Vostro corpo, l'eventuale rimbalzo spingerebbe l'elettrotensile con la mola girante proprio contro Voi.*
- c) **Se il disco da taglio si è incuneato, o se comunque si interrompe il lavoro, disinserire l'elettrotensile e tenerlo**

**immobile finché il disco non smetta definitivamente di girare. Non cercare mai di estrarre dal taglio il disco che sta ancora girando, altrimenti si provocherà rimbalzo.** *Scoprire e rettificare la ragione per l'incastro.*

- d) **Non reinserire mai l'elettrotensile, finché il disco da taglio si trova ancora nel pezzo da lavorare. Lasciare il disco da taglio di raggiungere i pieni giri prima di introdurlo attentamente nel taglio.** *Altrimenti il disco potrebbe incastrarsi, scivolare via dal pezzo lavorato, o balzare.*
- e) **Provvedere di sostegni supplementari le lastre o i pezzi di dimensioni grosse, per ridurre il rischio di incastro o rimbalzo.** *I pezzi da lavorare con grosse dimensioni diventano cascanti nella metà a causa del proprio peso. Il pezzo deve essere sostenuto di entrambi i lati del disco, sia in vicinanza del taglio, sia nelle estremità del pezzo.*
- f) **Stare particolarmente cauti nel tagliare scanalature in pareti esistenti o altre superfici murate. Il disco prominente potrebbe tagliare condutture di gas o acqua, impianto elettrico o altre strutture, provocando così un rimbalzo.**

### Istruzioni specifiche di sicurezza nella levigatura con carta vetrata

- a) **Non usare fogli di carta vetrata troppo grossi, osservare le istruzioni del costruttore sulle dimensioni della carta vetrata.** *Foglio di carta vetrata che sporge dal disco elastico, viene sottoposto al pericolo di lacerazione e può causare bloccaggio, lo squarcio della carta vetrata, o rimbalzo.*

### Istruzioni specifiche di sicurezza nella politura

- a) **Non permettere a parti flaccide della custodia in lana o del cordone stabilizzante di girare liberamente. Infilare nella custodia oppure stringere le estremità libere del cordone stabilizzante.** *I cordoni stabilizzanti rotanti diventati flaccidi possono imbrogliarsi nelle vostre dita, o attaccarsi al pezzo da lavorare.*

### Istruzioni specifiche di sicurezza nel lavoro con spazzole metalliche

- a) **Tenere presente che anche a lavoro normale dalla spazzola metallica cadono fibre metalliche. Non sovraccaricare le fibre premendo troppo forte la spazzola.**

*Le fibre metalliche che si staccano penetrano facilmente attraverso indumenti sottili e/o nella pelle.*

- b) **Se nel lavoro con spazzola metallica si consiglia l'impiego di riparo, non permettere al riparo e alla spazzola metallica a disco o a tazza di toccarsi.** *Le spazzole metalliche a disco o a tazza possono aumentare il proprio diametro sotto l'effetto della pressione durante il lavoro e delle forze centrifughe.*

## Prendere visione dell'elettrotensile

Prima di cominciare a lavorare con l'elettrotensile, prendere conoscenza di tutte le caratteristiche operative e norme di sicurezza.

Impiegare l'elettrotensile e i suoi accessori solo per la loro destinazione d'uso. Qualsiasi altra applicazione è espressamente vietata.

1. Alberino
- 2.1 Riparo per mola abrasiva
- 2.2 Riparo per disco da taglio\*
3. Flangia d'appoggio
- 4.1 Mola abrasiva (Usarla soltanto con il riparo per mola abrasiva!)\*
- 4.2 Disco da taglio (Usarlo soltanto con il riparo per disco da taglio!)\*
5. Flangia di serraggio
6. Impugnatura supplementare
7. Interruttore ON/OFF
8. Regolatore elettronico del numero dei giri (M 750E HD Compact)
9. Pulsante per il fissaggio dell'alberino

## ACCESSORI CHE POSSONO ESSERE USATI CON QUESTO ELETTROTENSILE

10. Spazzola metallica\*
11. Disco in plastica (in gomma)\*
12. Foglio di carta vetrata o custodia da levigatura\*
13. Dado speciale\*

\* Gli accessori supplementari riportati nelle figure o descritti nelle istruzioni per l'uso non rientrano nella dotazione.

## Istruzioni per l'uso

Questi elettrotensili vengono alimentati soltanto di corrente alternata monofase. Si possono inserire in prese senza piattine di massa, avendo un isolamento doppio conformemente all'EN 60745

e all'IEC 60745-1. I disturbi radio corrispondono alla Direttiva sulla compatibilità elettromagnetica.

Questo elettrotensile è destinato al taglio, alla levigatura e spazzolatura innanzitutto di metalli, senza l'uso di acqua.

### PRIMA DI COMINCIARE IL LAVORO

- La macchina può essere con un riparo montato in fabbrica. Accertarsi che il riparo sia montato correttamente e che sia fissato in modo longitudinale, prima dell'uso iniziale ed ogni uso successivo.
- La macchina può avere una mola montata in fabbrica. Accertarsi che la mola sia montata correttamente e che sia serrata in modo longitudinale, prima dell'uso iniziale ed ogni uso successivo.
- Accertarsi che la tensione della rete elettrica corrisponde a quella indicata sulla targhetta con i dati tecnici dell'elettrotensile.
- Verificare in quale posizione si trova l'interruttore ON/OFF. L'elettrotensile deve essere innestato nella presa o disinnestato dalla rete di alimentazione soltanto ad interruttore disinnestato. Se la spina viene innestata nella presa quando l'interruttore è in posizione inserita, l'elettrotensile si metterà immediatamente in moto, il quale fatto comporta un infortunio.
- Convincersi dello stato di efficienza del cavo e della spina di alimentazione. Se il cavo d'alimentazione è danneggiato, la sostituzione deve essere fatta dal costruttore o da un suo specialista di centro assistenza, per evitare i pericoli della sostituzione.



**ATTENZIONE:** Spegnerne sempre l'elettrotensile e tirare la spina dalla presa prima di effettuate qualsiasi regolazione, riparazione o manutenzione, o all'abbassamento della tensione di alimentazione.

- Utilizzando mole da taglio diamantate, accertarsi che la freccia indicante il senso di rotazione applicata sulla mola da taglio diamantata corrisponda al senso di rotazione dell'elettrotensile (vedere freccia indicante il senso di rotazione applicata sulla testata ingranaggi).
- Controllare che il diametro e lo spessore del disco non siano maggiori di quelli indicati nei dati tecnici. La velocità periferica ammissibile segnata sul disco non deve essere inferiore a 80 m/s. Preservare i dischi conformemente alle istruzioni dei loro produttori.

- Se l'area del lavoro è lontana dalla fonte di alimentazione, usare una prolunga che sia la più corta possibile, con sezione adatta.
- Verificare che l'impugnatura supplementare sia montata correttamente e serrata in maniera affidabile.

## AVVIAMENTO-ARRESTO

Avviamento: Premere il cursore dell'interruttore ON/OFF 7 nella parte posteriore e quindi spostarlo in avanti nella direzione della freccia, finché la sua parte anteriore affondi e si blocchi.

Arresto: Premere l'estremità posteriore dell'interruttore ON/OFF 7 e lasciarla ritornare da sola indietro nella posizione d'uscita.

## REGOLAZIONE ELETTRONICA DEL NUMERO DEI GIRI (M 750E HD Compact)

Non si consiglia lavoro continuativo a giri ridotti con le macchine seguenti: M 750E HD Compact.

Girando il regolatore elettronico 8 situato sulla parte posteriore della smerigliatrice, fa i giri regolarsi lentamente. Le posizioni raccomandate del regolatore per i diversi campi d'impiego sono indicate nella tabella che segue:

Campo d'impiego	Posizione del regolatore
1. Smerigliatura di materie plastiche con disco in plastica e carta vetrata	A - C
2. Smerigliatura di legno e rimozione di coperture di lacca o vernice	B - D
3. Smerigliatura di metallo con disco in plastica e carta vetrata	C - F
4. Asportazione di ruggine con spazzola metallica	D - F
5. Pulizia sommaria, taglio di metallo o sasso	G
6. Politura con disco in plastica e custodia da levigatura	A - B

I modelli M 750E HD Compact hanno l'elettronica a due semiperiodi per:

- Avviamento dolce e limitazione della corrente di avviamento;
- Preselezione e regolazione del numero di giri.

## RIPARO DEL DISCO



**ATTENZIONE:** Il riparo 2.1 per mola abrasiva, o il riparo 2.2 per disco da taglio (rispettivamente per la mola abrasiva 4.1 o il disco da taglio 4.2) deve stare sempre montato sulla macchina!

La sua posizione differisce a seconda del lato su cui è messa l'impugnatura supplementare e al montaggio della macchina su un cavalletto.

## SOSTITUZIONE DEL DISCO

Fissare l'alberino 1 della smerigliatrice premendo il pulsante 9, che si trova sulla scatola di riduzione della macchina.



**ATTENZIONE:** Non è ammesso premere il pulsante 9 mentre l'alberino gira..

(A pulsante premuto l'alberino inizia a ruotare fino al suo affondamento distinto). Svitare la flangia di serraggio 5 con una chiave speciale. Mettere il disco nuovo sulla flangia d'appoggio 3 con le scritte in su, e avvitare la flangia di serraggio 5 con il lato piatto verso il disco, usando la chiave speciale. Usare rondelle di supporto in carta, se il disco ne è munito. Dopo la sostituzione del disco mettere in moto la macchina a funzionare con il nuovo disco per un minuto senza carico. I dischi vibranti o giranti irregolarmente vanno subito sostituiti. Avvitare la spazzola metallica 10 direttamente all'alberino 1 con l'ausilio di una chiave meccanica. (Controllare che la lunghezza della filettatura sia sufficientemente lunga per poter coprire la filettatura dell'alberino).

La smerigliatura con carta vetrata e la politura vanno effettuate con un disco in plastica (in gomma) 11, sotto il quale si mette un foglio di carta vetrata o custodia da levigatura 12. Mettere il disco in plastica 11 sulla flangia d'appoggio 3 e serrare con il dado speciale 13, che esso ha in dotazione. Se si usa un disco di lavoro con flangia incassata, allora esso va avvitato direttamente all'alberino senza usare la flangia di serraggio 5, con l'ausilio di una chiave meccanica. Il disco con flangia incassata può essere in spugna contenente resina, in poliuretano espanso con un inserto portante in plastica, nel quale è incassato il dado, mentre il foglio stesso da levigatura di carta vetrata o feltro in lana si attacca al disco in poliuretano espanso mediante il sistema "incollante". Dopo la sostituzione del disco in plastica (in gomma) mettere la macchina

in moto con il nuovo disco per circa un minuto senza carico. Sostituire subito i dischi vibranti o giranti irregolarmente.

## **ISTRUZIONI SUL MONTAGGIO DEL RIPARO**

Prima di effettuare le seguenti operazioni, la macchina deve essere disinnestata dall'alimentazione dalla rete mediante la spina.

### **Montare il riparo (Fig. 1)**

- Girare l'anello nero in plastica (Fig. 2) di modo che la fessura S dell'anello collimi con la tacca, dove entra il dente della leva bloccante L.

- Mettere il riparo in posizione non operativa (Fig. 2), di modo che i quattro denti collimino con le quattro tacche nella sede del cuscinetto (Fig. 3).

- Premere il riparo in giù e girarlo in senso orario fino a raggiungere la posizione operativa desiderata, in cui il riparo viene bloccato dalla leva di blocco L

### **Girare il riparo in una nuova posizione operativa**

- Girare il riparo soltanto in senso orario nella posizione operativa desiderata, in cui il riparo viene bloccato dalla leva di blocco L (Fig. 4).

### **Rimuovere il riparo**

- Girare il riparo in posizione non operativa (Fig. 3), di modo che i quattro denti collimino con le quattro tacche nella sede del cuscinetto, ed estrarlo in su (Fig. 2).

## **IMPUGNATURA SUPPLEMENTARE**

L'impugnatura supplementare 6 si avvitava normalmente sul lato sinistro della macchina. Essa si può avvitare anche sul lato destro, se così risulta più comoda all'operatore.

## **GIRARE LA CARCASSA DELLA MACCHINA**

La carcassa della macchina può essere girata a 90° oppure a 180°. La prima posizione si applica quando la macchina si usa innanzitutto per tagliare, e la seconda posizione quando l'operatore si serve meglio con la mano sinistra. In entrambi i casi la rotazione della carcassa va effettuata in un centro assistenza autorizzato per gli elettrotensili manuali SPARKY.

## **CONSIGLI**

Non applicare pressione nel lavoro con disco da taglio, non muovere il disco trasversalmente

al taglio. Lavorare con avanzamento moderato, adatto per il materiale trattato.

È importante la direzione nella quale si taglia. La macchina deve andare avanti nella direzione contraria al senso di rotazione del disco. Altrimenti si corre il rischio che il disco esca incontrollato fuori dal taglio.

Nel tagliare profilati o tubi di sezione rettangolare, si consiglia di iniziare il taglio dal lato più piccolo.

Nella levigatura non premere la macchina sulla superficie lavorata, e muovere invece il disco dolcemente avanti e indietro. Trattare i metalli leggeri con dischi speciali. Il risultato migliore in smerigliatura grossa si ottiene con un'inclinazione di 30° - 40° tra il disco e la superficie lavorata. Nella smerigliatura grossa non è ammesso l'uso di dischi da taglio. Non si consiglia l'uso di dischi con lo spessore oltre a 6 mm.

## **Manutenzione**



**ATTENZIONE:** Spegnerne sempre l'elettrotensile e tirare la spina dalla presa prima di effettuare qualsiasi controllo o manutenzione.

## **SOSTITUZIONE DELLE SPAZZOLE**

Quando diventano logore, le due spazzole devono essere sostituite simultaneamente con spazzole originali in un centro assistenza SPARKY per manutenzione in garanzia e fuori garanzia.

## **CONTROLLI GENERICI**

Controllare regolarmente tutti gli elementi di fissaggio ed accertarsi che siano saldamente assicurati. Nel caso in cui qualche vite si è allentata, stringerla subito, per evitare situazioni di rischio.

Se il cavo di alimentazione è guasto, la sostituzione deve essere fatta dal costruttore o da un suo specialista di centro assistenza, per ovviare ai pericoli relativi alla sostituzione.

## **PULIZIA**

Per un lavoro sicuro mantenere sempre puliti la macchina e i fori di ventilazione. Verificare regolarmente che non siano penetrati polvere o corpi estranei nella griglia di ventilazione vicino al motore elettrico o intorno ai commutatori. Usare una spazzola soffice per rimuovere la polvere accumulata. Per proteggere gli occhi durante la

pulizia, portare occhiali di protezione.

Se la carcassa della macchina necessita la pulizia, spolverarla con un canovaccio morbido e umido. Si può usare un debole detergente.

Al lavoro in un ambiente fortemente polveroso (taglio di pietra) devono essere necessariamente puliti alla fine di ogni giornata lavorativa (8 ore di lavoro) i fori di ventilazione ed il corsoio della macchina funzionante a vuoto, con aria compressa o mediante colpi moderati intorno ai fori di ventilazione con un oggetto non metallico (Fig. 6a,6b).



**ATTENZIONE:** Non è ammesso l'uso di alcole, benzina o altri solventi. Non adoperare mai preparati attaccanti per la pulizia delle parti plastiche.



**ATTENZIONE:** Non è ammessa l'entrata di acqua in contatto con la macchina.

**IMPORTANTE!** Per provvedere al lavoro sicuro con l'elettrotensile, e alla sua affidabilità, tutte le attività relative alla riparazione, la manutenzione e la regolazione (ivi incluse la verifica e la sostituzione delle spazzole) si devono effettuare nei centri assistenza autorizzati SPARKY, usando soltanto pezzi di ricambio originali.

## Garanzia

---

Il periodo di garanzia per gli utensili SPARKY ha validità a partire dalla data di acquisto ed è conforme alle normative europee.

Non sono coperti da garanzia danni derivanti da usura, sovraccarico o uso improprio.

L'azienda produttrice assicura la sostituzione di tutte le parti non funzionanti in cui si riconoscano difetti di materiale e/o di lavorazione.

Le prestazioni di garanzia saranno erogate solo se la macchina richiesta sarà inviata in condizioni integre al rivenditore o ad un centro di assistenza, accompagnata dallo scontrino fiscale.

## Ulteriori informazioni

---

Leggere attentamente tutte le istruzioni prima di iniziare a lavorare con l'utensile.

L'azienda produttrice si riserva il diritto di apporre modifiche tecniche senza preavviso.

Le specifiche tecniche possono variare da paese a paese.



# Contenido

Introducción .....	49
Datos técnicos .....	51
Instrucciones generales de seguridad al operar con herramientas eléctricas .....	52
Instrucciones adicionales de seguridad al operar con esmeriladoras angulares .....	54
Componentes principales de la herramienta eléctrica .....	A/57
Instrucciones para la operación .....	B/58
Mantenimiento .....	60
Garantía .....	61

## DESENVASE

En conformidad con las tecnologías de grandes series generalmente aceptadas, es poco probable que su herramienta eléctrica sea defectuosa o que le falte alguna pieza. Si observa que algo no está en orden, no opere con la herramienta eléctrica hasta que su pieza dañada no haya sido sustituida o su defectuosidad no haya sido eliminada. El incumplimiento de esta recomendación puede conducir a un accidente de trabajo grave

## ENSAMBLAJE

La esmeriladora angular se suministra envasada y ensamblada, salvo el dispositivo de seguridad y el asidero adicional.

## Introducción

La herramienta eléctrica SPARKY que acaba de adquirir superará sus expectativas. Ha sido fabricada conforme a las altas normas de calidad de SPARKY que responden a las exigencias más rigurosas del usuario. Su mantenimiento es fácil y es segura a la hora de explotarse. Si se usa correctamente, esta herramienta eléctrica le servirá con fiabilidad durante largos años.

### ¡ADVERTENCIA!



Lea con atención e íntegramente estas instrucciones de explotación antes de usar la herramienta eléctrica SPARKY que acaba de adquirir. Preste una atención especial a los textos encabezados por la palabra "Advertencia". Su herramienta eléctrica SPARKY posee muchas cualidades que facilitarán su trabajo. Al diseñarse esta herramienta eléctrica, se ha prestado una mayor atención a la seguridad, a las cualidades de explotación y a la fiabilidad que facilitan su mantenimiento y explotación.



### ¡No tire la herramienta eléctrica junto con los residuos domésticos!

Los residuos de productos eléctricos no deben recogerse junto con los residuos domésticos. Por favor, recíclelos en los lugares destinados a ello. Póngase en contacto con las autoridades locales o con un representante suyo para informarse respecto al reciclaje.

## PROTECCIÓN DEL MEDIO AMBIENTE



Con miras a la protección del medio ambiente, esta herramienta eléctrica, sus accesorios y su envase deben someterse a un tratamiento adecuado para reutilizar las materias primas que contienen.

Para facilitar el reciclaje de las piezas fabricadas de materiales artificiales, éstas han sido marcadas de la forma correspondiente.

## DESCRIPCIÓN DE LOS SÍMBOLOS

Sobre la placa de características técnicas de la herramienta eléctrica se han marcado símbolos especiales. Éstos facilitan información importante sobre el producto o instrucciones para su manejo.



Doble aislamiento de protección adicional.



Rosca de unión del husillo M14.



Conformidad con las directrices europeas aplicables.



Cumple con las regulaciones de la Unión Aduanera.



Compatible con los requisitos de los documentos normativos ucranianos.



Consulte el manual de usuario.




Lleve siempre gafas de protección.

YYYY-Www      Período de producción en que los símbolos variables son:  
YYYY – año de producción,  
ww – semana natural consecutiva

M                      Esmeriladora angular.

## Datos técnicos

Modelo	M750 HD Compact	M750E HD Compact
Potencia consumida	750 W	750 W
Velocidad nominal	10500 min <sup>-1</sup>	3500-10500 min <sup>-1</sup>
Rosca de unión del husillo	M14	M14
Longitud de la rosca del husillo	20 mm	20 mm
Diámetro interno del disco esmerilador	22,23 mm	22,23 mm
Diámetro máximo del disco esmerilador	125 mm	125 mm
Grosor máximo del disco esmerilador	6 mm	6 mm
Peso (EPTA Procedure 01/2014)	1,8 kg	1,9 kg
Clase de protección (EN 60745-1) 	II	II

### INFORMACIÓN SOBRE EL RUIDO Y LAS VIBRACIONES

Los valores se han medido según la norma EN 60745.

#### Emisión de ruidos

A-nivel medido de presión acústica L <sub>PA</sub>	86 dB(A)	85 dB(A)
Indeterminación K <sub>PA</sub>	3 dB(A)	3 dB(A)
A-nivel medido de potencia acústica L <sub>WA</sub>	97 dB(A)	96 dB(A)
Indeterminación K <sub>WA</sub>	3 dB(A)	3 dB(A)

¡Utilice medios de protección contra el ruido!

#### Emisión de vibraciones \*

Valor total de las vibraciones (suma vectorial de tres direcciones) determinado según la norma EN 60745:

Esmerilado de superficies		
Valor de las vibraciones emitidas a <sub>RAG</sub>	10,8 m/s <sup>2</sup>	10,6 m/s <sup>2</sup>
Indeterminación K <sub>AG</sub>	1,5 m/s <sup>2</sup>	1,5 m/s <sup>2</sup>
Esmerilado con papel abrasivo		
Valor de las vibraciones emitidas a <sub>RDS</sub>		<2,5 m/s <sup>2</sup>
Indeterminación K <sub>DS</sub>		1,5 m/s <sup>2</sup>

\* Las vibraciones se han determinado según el apartado 6.2.7 de la norma EN 60745.

El nivel de las vibraciones determinado en esta instrucción ha sido medido en conformidad con la metodología de ensayo indicada en EN 60745 y podrá utilizarse para comparar instrumentos eléctricos. El nivel de las vibraciones podrá utilizarse para una evaluación previa del grado de influencia.

El nivel declarado de las vibraciones se refiere a la destinación principal del instrumento eléctrico. En los casos cuando el instrumento eléctrico se utilice con otra destinación, con otros accesorios o cuando el instrumento eléctrico no haya sido mantenido debidamente, el nivel de las vibraciones podrá ser diferente al indicado. En estos casos, el nivel de influencia podrá aumentar considerablemente dentro de los límites del período total de funcionamiento.

En la evaluación del nivel de influencia de las vibraciones se deberá tener en consideración el tiempo durante el cual el instrumento eléctrico queda desconectado o conectado, pero no se utiliza. Esto podrá reducir notablemente el nivel de influencia dentro de los límites del período total de funcionamiento.

¡Manténganse el instrumento eléctrico y los accesorios en buen estado! Procure tener las manos calientes durante el trabajo. Esto disminuirá la influencia nociva durante un trabajo con vibraciones elevadas.

El polvo desprendido en el procesamiento de los materiales, como pinturas que contienen plomo, algunos tipos de madera, minerales y metales, podrá ser peligroso para la salud. El contacto o la aspiración del polvo podrá provocar reacciones alérgicas y/o enfermedades de las vías respiratorias del operario o de las personas a su alrededor.

Algunos tipos de polvo, por ejemplo, de roble o de haya, se consideran cancerígenos, ante todo si se combinan con adiciones para procesar la madera (cromato, conservantes). El material que contenga asbesto se ha de procesar únicamente por especialistas.

- Cuando sea posible, utilice la evacuación de polvo.

- Para alcanzar un alto grado de captación de polvo, al operar con esta herramienta eléctrica, utilice una aspiradora destinada a recoger polvo de madera o para polvo de madera y/o polvo mineral.
  - Asegure una buena ventilación del lugar de trabajo.
  - Se recomienda usar una mascarilla antipolvo de protección con filtro clase P2.
- Respétense las disposiciones vigentes en su país acerca del procesamiento de los respectivos materiales.

## Instrucciones generales de seguridad al operar con herramientas eléctricas



**ADVERTENCIA!** Lea íntegramente estas advertencias e instrucciones de seguridad. Si no se respetan las advertencias e instrucciones de seguridad, podrá llegar a causarse una avería por la corriente eléctrica, un incendio y/o una lesión grave.

**Guárdense todas las advertencias e instrucciones de seguridad para su uso futuro.**

El término "herramienta eléctrica" empleado en todas las advertencias descritas a continuación se refiere a su instrumento eléctrico alimentado de la red (con un cordón eléctrico) y/o de una máquina eléctrica alimentada por una batería de acumuladores (sin cordón eléctrico).

### 1) Seguridad del puesto de trabajo

- Mantenga limpio y bien iluminado su puesto de trabajo.** El desorden y la insuficiente iluminación son premisas para un accidente de trabajo.
- No trabaje con la herramienta eléctrica en un entorno de aire explosivo donde hay líquidos inflamables, gases o polvo.** Las herramientas eléctricas producen chispas que pueden incendiar el polvo o el vapor.
- Mantenga a los niños y a las personas extrañas a una distancia cuando esté trabajando con una herramienta eléctrica.** Una distracción suya le puede hacer perder el control sobre el instrumento eléctrico.

### 2) Seguridad eléctrica

- Los enchufes de las herramientas eléctricas deben corresponder a la toma de corriente. No cambie el enchufe bajo ningún concepto. No emplee ningún enchufe adaptador en las herramientas**

**eléctricas de puesta a tierra.** El uso de enchufes no modificados y su correspondiente toma de corriente reduce el riesgo de una avería causada por la corriente eléctrica.

- Evite el contacto de su cuerpo con la tierra o con superficies con puesta a tierra, como tubos, radiadores, cocinas y refrigeradores.** Si su cuerpo está con puesta a tierra, existe un mayor riesgo de producirse una avería por la corriente eléctrica.
  - No exponga la herramienta eléctrica a la lluvia o en un ambiente húmedo.** La penetración del agua en el interior del instrumento eléctrico aumenta el riesgo de producirse una avería por la corriente eléctrica.
  - Utilice el cordón eléctrico conforme a su destino. Jamás utilice el cordón eléctrico para trasladar el instrumento eléctrico, tirar o sacar el enchufe de la toma de corriente. Mantenga el cordón eléctrico alejado del calor, de lubricantes, aristas vivas o piezas móviles.** Los cordones eléctricos deteriorados o enredados aumentan el riesgo de producirse una avería por la corriente eléctrica.
  - Al trabajar con la herramienta eléctrica a la intemperie, utilice un alargador apropiado para trabajar al aire libre.** La utilización de un alargador adecuado para trabajar a la intemperie reduce el riesgo de producirse una avería por la corriente eléctrica.
  - Para interrumpir la alimentación, utilice un dispositivo de seguridad que se pone en funcionamiento por la corriente eléctrica restante de ser imprescindible el empleo de la herramienta eléctrica en un ambiente húmedo.** La aplicación de un dispositivo de seguridad reduce el riesgo de producirse una avería por la corriente eléctrica.
- ### 3) Seguridad personal
- Manténgase en alerta, trabaje con mayor atención y sea prudente mientras esté trabajando con la herramienta eléctrica.**

**trica. No utilice la herramienta eléctrica si estuviese cansado bajo el efecto de drogas, alcohol o medicamentos. Un instante de falta de atención al trabajar con un instrumento eléctrico puede provocar un grave accidente de trabajo.**

- b) **Utilice medios de protección personal. Lleve siempre medios para la protección de los ojos. Los medios de protección personal como carreta antipolvo, zapatos seguros con suela antideslizante, casco o protectores auditivos utilizados en condiciones concretas reducen el riesgo de accidentes de trabajo.**
- c) **Evite una puesta en marcha involuntaria. Antes de asir o trasladar el instrumento eléctrico, asegúrese de que el interruptor esté desconectado previa su conexión a la fuente de alimentación y/o a la batería de acumuladores. Puede dar lugar a un accidente de trabajo que la herramienta eléctrica sea trasladada con el dedo sobre el interruptor, o bien la conexión de dicha herramienta a una fuente de alimentación con el interruptor en posición conectada.**
- d) **Retire toda llave de ajuste o llaves de tuercas antes de conectar la herramienta eléctrica. Una llave de ajuste o llave de tuercas fijada a una pieza rotatoria puede producir un accidente de trabajo.**
- e) **¡No alargue la mano! Mantenga en todo momento la postura correcta y el equilibrio. Ello permitirá un mejor manejo de la herramienta eléctrica en caso de que se presente una situación inesperada.**
- f) **Lleve una ropa de trabajo adecuada. No lleve prendas anchas o joyas. Mantenga su cabello, vestimenta y guantes alejados de las piezas móviles. La ropa ancha, las joyas o el pelo largo se podrán enganchar a las piezas en movimiento.**
- g) **Siempre que sea posible, utilice equipos de aspiración o recogepolvos y asegúrese que estén conectados y que se utilicen correctamente. El uso de estos dispositivos puede reducir los riesgos que son producto del polvo.**

#### **4) Uso y cuidado de las herramientas eléctricas**

- a) **No sobrecargue la herramienta eléctrica. Según el uso, hágase una correcta selección de la herramienta eléctrica. La herramienta correctamente seleccionada funciona mejor y con mayor seguridad en**

el régimen de trabajo para el que ha sido diseñada.

- b) **No utilice la herramienta eléctrica si el interruptor no conmuta en posición de “conectado” y “desconectado”. Toda herramienta eléctrica que no pueda ser manejada con el interruptor es peligrosa y ha de ser reparada.**
  - c) **Antes de efectuar cualquier ajuste, saque el enchufe de la red de alimentación, previo cambio de cualquier accesorio o antes de guardar la herramienta. Estas medidas de seguridad preventivas reducen el riesgo de poner en funcionamiento la herramienta eléctrica accidentalmente.**
  - d) **Guarde las herramientas eléctricas que no hayan sido utilizadas en lugares que estén fuera del alcance de los niños, y no permita que trabajen con ella las personas que prestan servicios y desconozcan la herramienta eléctrica y estas instrucciones. Las herramientas eléctricas son peligrosas en manos de usuarios inexpertos.**
  - e) **Mantenga la herramienta eléctrica. Averigüe si sus piezas móviles funcionan correctamente y se mueven con libertad, así como la integridad y el buen estado de las piezas, como también cualquier otra circunstancia que pudiera afectar de forma desfavorable el funcionamiento de la herramienta eléctrica. En caso de que esté deteriorada, la herramienta habrá de repararse antes de que se continúe usando. Muchos accidentes se deben al mal mantenimiento de las herramientas eléctricas.**
  - f) **Mantenga las herramientas cortantes limpias y afiladas. Las herramientas cortantes con bordes afilados y cortantes que tengan un mantenimiento correcto es menos probable que bloqueen y son más fáciles de manejar.**
  - g) **Utilice la herramienta eléctrica, los accesorios, las piezas, etc., de acuerdo con estas instrucciones y de la forma prevista para el tipo de herramienta eléctrica concreta, tomando en consideración las condiciones laborales y el trabajo a realizar. El uso de la herramienta eléctrica con fines diferentes a aquellos para los que ha sido diseñada puede causar una situación de peligro.**
- #### **5) Servicio**
- a) **Repare su herramienta eléctrica con un técnico cualificado en reparaciones, uti-**

lizando sólo piezas de recambio originales. Ello garantizará el mantenimiento y la seguridad de la herramienta eléctrica.

## Instrucciones adicionales de seguridad al operar con esmeriladoras angulares

Instrucciones generales de seguridad al esmerilar con disco y papel abrasivos, al limpiar con cepillos de alambre y al pulir y cortar con un disco abrasivo:

- a) Esta herramienta eléctrica puede utilizarse como esmeriladora con disco abrasivo, con papel abrasivo, con cepillo de alambre y también para pulir y cortar con un disco abrasivo. Lea todas las instrucciones de seguridad, las recomendaciones, las imágenes y los datos que se han obtenido con la esmeriladora. Si no se respetan las instrucciones de seguridad, pueden surgir daños de corriente eléctrica, incendio y/o lesiones graves.
- b) Esta herramienta eléctrica no es apropiada para pulir. Las operaciones para las cuales la herramienta no está destinada pueden crear peligro y causar lesiones. (M 750 HD Compact)
- c) No utilice accesorios que no hayan sido autorizados ni recomendados especialmente por el fabricante para esta herramienta eléctrica. El hecho de que se pueda fijar un accesorio a su herramienta eléctrica no garantiza un uso seguro.
- d) Las revoluciones nominales del accesorio deben ser, como mínimo, iguales a las revoluciones máximas indicadas en la herramienta eléctrica. Los accesorios que giren a una velocidad más alta que su velocidad nominal podrán romperse y sus pedazos podrán llegar a dispersarse.
- e) El diámetro externo y el grosor de la herramienta de trabajo deben ser en los límites de las dimensiones indicadas en su herramienta eléctrica. Los accesorios cuyas dimensiones son inapropiadas no pueden protegerse o manejarse correctamente.
- f) Los útiles de fijación a rosca deberán ajustarse exactamente en la rosca del husillo. En los útiles de fijación por brida su diámetro de encaje deberá ser compatible con el de alojamiento en la brida. Los útiles que no vayan fijados exactamente sobre la herramienta eléctrica giran descentrados, vibran mucho, y pueden hacerle perder el control sobre el aparato.
- g) No utilice accesorios dañados. Revise los accesorios antes de cualquier uso: que los discos abrasivos no se hayan desdentado ni tengan fisuras; que los discos elásticos no tengan fisuras, roturas ni se hayan desgastado mucho; que los cepillos de alambre no se hayan aflojado ni tengan hilos quebrados. Si la herramienta eléctrica o el accesorio se dejan caer, cerciórese de que no se hayan dañado o monte un accesorio en buen estado. Después de que el accesorio haya sido revisado y montado, sitúese junto con las personas extrañas fuera del área de rotación del accesorio y deje que la herramienta eléctrica funcione a revoluciones máximas en marcha en vacío durante un minuto. Generalmente, este tiempo es suficiente para que los accesorios dañados se rompan.
- h) Lleve medios de protección personal. Según el caso concreto, utilice una pantalla para la protección del rostro o gafas protectoras. Si es necesario, utilice una mascarilla antipolvo, medios de protección del oído, un guante de protección o delantal especial que retenga las pequeñas partículas del accesorio esmerilador o de la pieza en procesamiento. Los medios para la protección de los ojos deben proteger de las partículas volantes que surgen de diversas operaciones. Las mascarillas antipolvo y de protección de gases deben filtrar las partículas que se hayan desprendido durante la operación. La exposición continua a fuertes ruidos puede ocasionar pérdida de la audición.
- i) Mantenga a las personas extrañas a una distancia segura de la zona de operación. Toda persona que se encuentre en la zona de operación debe llevar medios de protección personales. Es posible que las partículas volantes desprendidas de la pieza en procesamiento o de un accesorio roto provoquen también lesiones fuera de los límites de la zona de operación inmediata.
- j) Sujete la herramienta eléctrica solamente por las superficies de sujeción aisla-



das cuando realice una operación en la que el accesorio cortante pueda rozar con una instalación eléctrica oculta o con el propio cable. *El roce de un accesorio cortante con un cable bajo tensión pondrá a las piezas metálicas de la herramienta eléctrica que están al descubierto bajo tensión y el operador podrá sufrir una electrocución.*

- k) **Mantenga el cable de alimentación fuera del alcance de funcionamiento del accesorio rotatorio.** *Si se pierde el control sobre la herramienta eléctrica, el cable de alimentación podrá cortarse o arrastrar su palma o su mano hacia el área de funcionamiento de la herramienta rotatoria.*
- l) **No deje nunca la herramienta eléctrica antes de que el accesorio haya dejado de girar completamente.** *El accesorio rotatorio puede engancharse al material en procesamiento y ocasionar la pérdida de control sobre la herramienta eléctrica.*
- m) **No deje que la herramienta eléctrica funcione mientras la esté llevando.** *El roce casual del accesorio rotatorio con su vestimenta puede engancharla y lesionar su cuerpo.*
- n) **Limpie regularmente los orificios de ventilación de la herramienta eléctrica.** *El ventilador del motor eléctrico aspira polvo hacia el cuerpo y la acumulación excesiva de polvo de metal puede provocar el peligro de que se produzca daño de corriente eléctrica.*
- o) **No utilice la herramienta eléctrica cerca de materiales combustibles.** *Las chispas pueden incendiar estos materiales.*
- p) **No utilice accesorios cuyo trabajo requiera medios de refrigeración líquidos.** *El uso del agua o de otros medios de refrigeración líquidos puede conducir a daños de corriente eléctrica o electrocución.*
  - **La herramienta eléctrica debe usarse solamente según los fines para los que ha sido concebida. Se considera uso incorrecto cualquier otro uso distinto del que se describe en estas instrucciones.** *La responsabilidad por cualquier daño o lesión originados por el uso incorrecto será asumida por el usuario y no por el fabricante.*
  - **El fabricante no asume responsabilidad por las modificaciones en la herramienta eléctrica que hayan sido efectuadas por el usuario o por los daños que ha-**

yan sido provocados a raíz de semejantes modificaciones.

- **Si se opera en un ambiente empolvado, los orificios de ventilación de la máquina deben mantenerse limpios. Si deben limpiarse del polvo, desconecte primero la alimentación, utilizando objetos no metálicos para quitar el polvo y procurando que no se dañen las piezas internas de la máquina.** *La herramienta eléctrica se sobrecalentará cuando la refrigeración disminuya como consecuencia de que los orificios de ventilación estaban empolvados.*
- **La herramienta eléctrica no debe usarse al aire libre cuando esté lloviendo, en un entorno húmedo (después de llover) o cerca de líquidos y gases fácilmente inflamables. El puesto de trabajo debe estar bien iluminado.**

### Otras instrucciones de seguridad para todas las operaciones

#### Rebote (golpe inverso) e instrucciones de seguridad relativas a éste

El rebote es la reacción súbita como consecuencia del acuñamiento o el bloqueo de un accesorio, por ejemplo, del disco esmerilador, del disco elástico, del cepillo de alambre, etc. El acuñamiento o el bloqueo conducen a la detención súbita de la rotación del accesorio que, por su parte, expulsa la herramienta eléctrica incontrolable en el sentido opuesto al sentido de rotación de la herramienta de trabajo en el punto de acuñamiento.

Por ejemplo, si el disco esmerilador se acuña o bloquea en la pieza, el borde del disco esmerilador que se ha introducido en esta pieza quedará encallado y como consecuencia de ello el disco puede romperse o provocar rebote. El disco esmerilador rebota hacia el operador o desde él, según el sentido de rotación del disco en el lugar del bloqueo. En estas circunstancias, los discos esmeriladores pueden romperse.

El rebote es el resultado del uso y/o la explotación incorrectos o de las condiciones de trabajo con la herramienta eléctrica y puede evitarse al aplicar las medidas de protección que se describen a continuación.

- a) **Sostenga fuertemente la herramienta eléctrica, ocupe una posición adecuada con el cuerpo y coloque sus manos de modo que pueda dominar la fuerza del rebote. Utilice siempre el asidero adicional si la herramienta eléctrica está pro-**

vista de éste para tener el máximo de control posible sobre la fuerza del rebote o del momento reactivo al ponerla en funcionamiento. *Mediante las medidas de protección apropiadas, el operario podrá dominar el momento reactivo y el rebote.*

- b) **No ponga nunca sus manos cerca de un accesorio rotatorio.** *El accesorio puede rebotar sobre su mano.*
- c) **No se sitúe en el área donde la herramienta eléctrica puede avanzar en caso de rebote.** *El rebote acciona la herramienta eléctrica en el sentido opuesto al movimiento del disco esmerilador, es decir, en el lugar de bloqueo.*
- d) **Opere con mayor atención cuando esté procesando ángulos, bordes agudos, etc.** *No permita que el accesorio rebote o que bloquee en la pieza. Al procesar ángulos y bordes agudos, es posible que el accesorio rotatorio se acúñe, con lo cual se podrá causar pérdida de control o rebote.*
- e) **No utilice discos de cadena o discos de sierra para procesar madera.** *Estos accesorios provocan con frecuencia rebote o pérdida de control sobre la herramienta eléctrica.*
  - **Fije la pieza en procesamiento en unas mordazas o de otra forma apropiada.**

### Instrucciones específicas de seguridad al esmerilar y cortar con disco abrasivo

- a) **Utilice solamente los tipos de discos recomendados para la herramienta eléctrica que dispongan de un dispositivo de seguridad previsto para ellos.** *Los discos para los que esta herramienta eléctrica no haya sido diseñada no se pueden proteger adecuadamente y son inseguros.*
- b) **Los discos de amolar con centro deprimido deberán montarse de manera que la cara de amolado no alcance a sobresalir del reborde de la caperuza de protección.** *Un disco de amolar incorrectamente montado cuya cara frontal rebasa el reborde de la caperuza de protección no puede ser convenientemente protegido.*
- c) **El dispositivo de seguridad debe fijarse de forma fiable a la herramienta eléctrica y debe estar dispuesto de modo que garantice la seguridad máxima, es decir, que una parte mínima del disco se encuentre al descubierto dirigida hacia el operador.** *El dispositivo de seguridad debe proteger al operador de los cascajos del*

*contacto fortuito con el disco y de las chispas que pueden incendiar su vestimenta.*

- d) **Los discos deben usarse únicamente para las aplicaciones recomendadas.** **Por ejemplo, no esmerile nunca con la superficie lateral del disco cortante.** *Los discos cortantes están destinados a desprender material con el borde del disco. Si se ejerce presión lateral sobre el disco, éste podrá romperse.*
- e) **Utilice siempre bridas de apriete en buen estado cuya forma y dimensiones sean apropiadas para el disco elegido.** **Las bridas de apriete que hayan sido escogidas correctamente fijarán el disco y reducirán el peligro de romperse.** *Las bridas de apriete para discos cortantes podrán diferir de las bridas de apriete destinadas a otro tipo de discos.*
- f) **No utilice discos desgastados de herramientas eléctricas que sean más grandes.** *El disco para una herramienta eléctrica más grande no es apropiado para las revoluciones más elevadas de una herramienta eléctrica más pequeña y puede romperse.*
  - **Observe siempre el sentido de rotación del disco.** *La fuerza reactiva es inversa al sentido de rotación en el lugar del esmerilado o del corte y es una premisa para perder control sobre la herramienta eléctrica.*
  - **Sujete siempre la máquina de modo que las chispas y el polvo del esmerilado se dispersen aparte del cuerpo.** *Las herramientas eléctricas desprenden chispas que pueden quemar la vestimenta o partes no protegidas del cuerpo.*
  - **No se deben esmerilar y cortar construcciones metálicas que hayan sido pintadas recientemente antes de que la pintura se haya secado.** *Existe peligro de que se inflame la pintura que no se haya secado.*
  - **No se deben cortar materiales combustibles (madera, plástico, etc.) y construcciones de paneles tipo “sándwich” rellenos de combustible.** *Existe peligro de surgir incendio.*
  - **No se deben esmerilar y cortar instalaciones que funcionan bajo presión.** *Existe peligro de surgir una explosión.*
  - **No se deben esmerilar y cortar depósitos, tuberías, aparatos, etc., en los que haya o haya habido sustancias y materiales combustibles o fácilmente inflamables sin que se hayan adoptado**

medidas especiales contra incendios y antiexplosivos. Existe el peligro de producirse incendio o explosión.

### Instrucciones específicas de seguridad al cortar con disco abrasivo

- a) Evite el acuñaamiento del disco cortante o la aplicación de presión excesiva. No intente efectuar cortes demasiado profundos. La sobrecarga del disco cortante eleva su desgaste, como también su ductibilidad a distorsiones o bloqueos, y, de allí, la posibilidad de rebotar o romperse el disco.
- b) No se sitúe en el área delante o detrás del disco rotatorio. Si el disco cortante en el lugar de corte se aleja de su cuerpo, un posible rebote podría empujar la herramienta eléctrica con el disco rotatorio directamente hacia Ud.
- c) Si el disco cortante se ha acuñado o por algún motivo Ud. interrumpe la operación, desconecte la herramienta eléctrica y manténgala inmóvil hasta que el disco deje de girar definitivamente. No intente nunca sacar del corte un disco que todavía esté girando; de lo contrario, se provocará un rebote. Busque y elimine el motivo del acuñaamiento.
- d) No conecte nunca nuevamente la herramienta eléctrica mientras que el disco cortante se encuentre todavía en la pieza. Deje que el disco cortante alcance sus revoluciones completas antes de introducirlo cuidadosamente en el corte. De lo contrario, el disco puede atascarse, deslizarse de la pieza o rebotar.
- e) Asegure con soportes adicionales las placas o las piezas de grandes dimensiones para reducir el riesgo de acuñaamiento y rebote. Las piezas de grandes dimensiones penden de su propio peso. La pieza debe sostenerse por ambos lados del disco tanto cerca del corte como de los extremos de la pieza.
- f) Sea sumamente cauteloso al hacer cortes de canales en paredes existentes u otras superficies revestidas de mampostería. El disco que sobresale hacia adelante podrá cortar tuberías de gas o de agua, instalaciones eléctricas u otros tipos de instalaciones, así como provocar un rebote.

### Instrucciones específicas de seguridad al esmerilar con papel abrasivo

- a) No utilice hojas de papel abrasivo su-

mamente grandes y cumpla las instrucciones del fabricante respecto a las dimensiones del papel abrasivo. Una hoja de papel abrasivo que sobresale del disco elástico corre el riesgo de romperse y puede provocar un bloqueo, romper el papel abrasivo o rebotar.

### Instrucciones específicas de seguridad al pulir

- a) No permita que las partes aflojadas de la funda de lana o del cable de sujeción giren libremente. Introduzca en la funda o atiese los extremos libres del cable de sujeción. Los cables de sujeción rotatorios y aflojados pueden enredarse en sus dedos o engancharse en la pieza.

### Instrucciones específicas de seguridad al operar con cepillos de alambre

- a) Tenga en cuenta que los hilos de alambre se desprenden incluso al operar normalmente con el cepillo de alambre. No sobrecargue los hilos apretando el cepillo fuertemente. Los hilos de alambre volantes se introducen fácilmente en la vestimenta fina y/o a través de la piel.
- b) Si durante la operación con un cepillo de alambre se recomienda el uso de un dispositivo de seguridad, no permita que el dispositivo de seguridad y el cepillo de alambre de disco o calciforme rocen entre sí. Los cepillos de alambre de disco o calciformes pueden aumentar su diámetro bajo la influencia de la presión al operar y de las fuerzas centrífugas.

## Componentes principales de la herramienta eléctrica

Antes de empezar a operar con la herramienta eléctrica, infórmese acerca de todas las peculiaridades operativas y de las condiciones de seguridad.

Utilice la herramienta eléctrica y sus accesorios solamente según la finalidad con que han sido concebidos. Queda terminantemente prohibida cualquier otra aplicación.

1. Husillo
- 2.1 Dispositivo de seguridad para el disco esmerilador
- 2.2 Dispositivo de seguridad para el disco

cortante\*

3. Brida de apoyo
- 4.1 Disco para esmerilar (¡Utilícese solamente con un dispositivo de seguridad para discos esmeriladores!)\*
- 4.2 Disco para cortar (¡Utilícese solamente con un dispositivo de seguridad para discos cortantes!)\*
5. Brida de apriete
6. Asidero adicional
7. Interruptor
8. Regulador electrónico de las revoluciones (M 750E HD)
9. Botón de fijación del husillo

## ACCESORIOS QUE PUEDEN UTILIZARSE CON ESTA HERRAMIENTA ELÉCTRICA

10. Cepillo metálico\*
11. Disco de plástico (de goma)\*
12. Hoja de papel abrasivo o funda para pulir\*
13. Tuerca especial\*

\* Los dispositivos adicionales que se representan en las figuras o se describen en el manual de usuario no se han incluido en el kit.

## Instrucciones para la operación

Estas herramientas eléctricas se alimentan solamente mediante voltaje de corriente eléctrica monofásica alterna. Poseen doble aislamiento, según las normas EN 60745 e IEC 60745-1, y pueden conectarse a tomas de corriente sin bornes de protección. Las radiointerferencias corresponden a la Directiva de Compatibilidad Electromagnética.

Esta herramienta eléctrica está destinada a cortar, esmerilar y cepillar ante todo metales, sin usar agua.

### ANTES DE EMPEZAR A OPERAR

- Revise si el voltaje de la red eléctrica corresponde al indicado en la placa de características técnicas de la herramienta eléctrica.
- Revise la posición del interruptor. La herramienta eléctrica debe conectarse y desconectarse de la red de alimentación solamente cuando el interruptor esté desconectado. Si el enchufe se introduce en la toma de corriente mientras que el interruptor esté conectado, la herramienta eléctrica se pondrá inmediatamente en funcionamiento, lo cual es una

premisa de accidente.

- Cerciórese del buen estado del cable de alimentación y del enchufe. Si el cable de alimentación está dañado, su sustitución debe efectuarse por el fabricante o por un técnico de servicio suyo a fin de evitar los peligros de la sustitución.



**ADVERTENCIA:** Desconecte siempre la herramienta eléctrica y saque el enchufe de la toma de corriente antes de realizar cualquier ajuste, servicio o mantenimiento o al producirse una caída en el voltaje de alimentación.

- Al montar discos tronzadores diamantados, observar que la flecha de dirección de éstos coincida con el sentido de giro de la herramienta eléctrica (ver flecha marcada en el cabezal del aparato).
- Revise si el diámetro y el grosor del disco no superan los indicados en las características técnicas. La velocidad periférica admisible indicada en el disco no debe ser inferior a 80 m/s. Los discos deben guardarse según las instrucciones de su fabricante.
- Si la zona de operación está lejos de la fuente de alimentación, utilice un prolongador de sección apropiada lo más corto posible.
- Revise si el asidero adicional ha sido colocado correctamente y si se ha atiesado de forma fiable.

### CONEXIÓN - DESCONEXIÓN

Conexión: La zapata del interruptor 7 se desliza hacia adelante, en el sentido de la flecha, hasta que su parte anterior se hunda y se inmovilice.

Desconexión: El extremo posterior elevado del interruptor 7 se aprieta y se deja retornar independientemente hacia atrás en posición de salida.

### REGULACIÓN ELECTRÓNICA DE LAS REVOLUCIONES (M 750E HD Compact)

No se recomienda una operación continua a revoluciones reducidas con las máquinas siguientes: M 750E HD Compact.

Al girar el regulador electrónico 8, ubicado en la parte posterior de la máquina esmeriladora, las revoluciones se regulan rítmicamente. Las posiciones recomendables del regulador para las distintas áreas de aplicación se indican en la tabla más abajo:

Área de aplicación	Posición del regulador
1. Esmerilado de plásticos con disco de plástico y papel abrasivo	<b>A - C</b>
2. Esmerilado de madera y limpieza de revestimientos de barniz o pintura	<b>B - D</b>
3. Esmerilado de metal con disco de plástico y papel abrasivo	<b>C - F</b>
4. Limpieza de herrumbre con cepillo de metal	<b>D - F</b>
5. Limpieza basta, corte de metal o piedra	<b>G</b>
6. Pulido con disco de plástico y funda para pulir	<b>A - B</b>

Los modelos M 750E HD Compact son con electrónica de dos semiperíodos para:

- Puesta en marcha rítmica y limitación de la corriente de arranque;
- Selección previa y regulación de las revoluciones.

## DISPOSITIVO DE SEGURIDAD DEL DISCO



**ADVERTENCIA:** ¡El dispositivo de seguridad 2.1 del disco esmerilador o el dispositivo de seguridad 2.2 del disco cortante (respectivamente, para el disco esmerilador 4.1 o para el disco cortante 4.2) debe estar siempre montado sobre la máquina!

Su posición difiere según el lado por el que ha sido puesto el asidero adicional y al montar la máquina a un soporte.

## CAMBIO DEL DISCO

El husillo 1 de la máquina esmeriladora se fija al apretar el botón 9 que se encuentra sobre la caja reductora de la máquina.



**ADVERTENCIA:** No se debe apretar el botón 9 mientras que el husillo esté girando.

(Al estar apretado el botón, el husillo se hace girar hasta que se hunda claramente). La brida de apriete 5 se desenrosca con una llave especial. El disco nuevo se coloca sobre la brida de apoyo 3 con los letreros hacia arriba y la brida de apriete 5 se enrosca con la parte plana hacia el disco, utilizando la llave especial. Utilice las arandelas de papel de asiento, si forman parte del kit del disco. Después de cambiar el disco, ponga la máquina en funcionamiento con el

nuevo disco alrededor de un minuto, sin carga. Los discos vibrantes o los que giran de forma irregular deben sustituirse inmediatamente. El cepillo metálico 10 se enrosca directamente al husillo 1 con la ayuda de una llave de tuercas. (Revise si la longitud de la rosca del cepillo es lo suficientemente larga para abarcar la rosca del husillo).

El esmerilado con papel abrasivo y el pulido se realizan con el disco de plástico (de goma) 11, bajo el cual se coloca la hoja abrasiva o la funda para pulir 12. El disco de plástico 11 se coloca sobre la brida de apoyo 3 y se aprieta con la tuerca especial 13 con la que está equipada. Si el disco de operación se utiliza con la brida colocada, éste se enrosca directamente al husillo, sin utilizar la brida de apriete 5, con la ayuda de la llave de tuercas. El disco con la brida colocada puede ser de esponja que contiene resina, de penopolíuretano, con un depósito de plástico portador en el que está colocada la brida y la propia hoja abrasiva o el fieltro de lana se adhieren al disco de penopolíuretano a través de un sistema "adhesivo". Después de cambiar el disco de plástico (de goma), ponga la máquina en funcionamiento con el disco nuevo alrededor de un minuto, sin carga. Los discos vibrantes o que giran de forma irregular deben sustituirse inmediatamente.

## INSTRUCCIONES PARA EL MONTAJE DEL DISPOSITIVO DE SEGURIDAD

Antes de efectuar las operaciones siguientes, la máquina debe estar desconectada de la red de alimentación mediante el enchufe

### Colocación del dispositivo de seguridad (fig.1)

- Haga girar el anillo de plástico negro (fig. 2) de modo que el intersticio S del anillo coincida con el recorte en el que cae el diente de la palanca de cierre L.

- Coloque el dispositivo de seguridad en posición de reposo (fig.2) de modo que los cuatro dientes coincidan con los cuatro recortes en la caja de rodamiento (fig.3).

- Apriete el dispositivo de seguridad hacia abajo y hágalo girar en el sentido de la aguja del reloj a la posición de operación deseada en la que el dispositivo de seguridad quedará inmovilizado por la palanca de cierre L.

### Rotación del dispositivo de seguridad en una nueva posición de operación

- Haga girar el dispositivo de seguridad únicamente en el sentido de la aguja del reloj en la posición de operación deseada, en la que el



dispositivo de seguridad quedará inmovilizado por la palanca de cierre L (fig.4).

#### **Retirada del dispositivo de seguridad**

- Haga girar el dispositivo de seguridad en la posición de reposo (fig.3) de modo que los cuatro dientes coincidan con los cuatro recortes en la caja de rodamiento y sáquelo hacia arriba (fig.2).

### **ASIDERO ADICIONAL**

Normalmente, el asidero adicional 6 se enrosca por la parte izquierda de la máquina. Éste se puede enroscar asimismo por la parte derecha, si ello resulta más cómodo para el operador.

### **ROTACIÓN DEL CUERPO DE LA MÁQUINA**

El cuerpo de la máquina puede hacerse girar a 90° ó 180°. La primera posición se aplica cuando la máquina se utiliza sobre todo para cortar, y la segunda cuando el operador se sirve mejor de la mano izquierda. En ambos casos, la rotación del cuerpo debe efectuarse en un centro de servicio autorizado de SPARKY para herramientas eléctricas manuales.

### **RECOMENDACIONES**

Al operar con un disco cortante, no ejerza presión ni mueva el disco transversalmente al corte. Opere con un avance moderado, apropiado para el material que se está procesando.

Es importante el sentido en el que se está cortando. La máquina debe avanzar en el sentido de rotación inverso del disco. De lo contrario, existe el peligro de que el disco salga incontrolablemente fuera del corte.

Al cortar perfiles y tubos de sección rectangular, se recomienda empezar el corte por el lado más pequeño.

Al esmerilar, mueva el disco paulatinamente hacia adelante y hacia atrás, sin apretar la máquina sobre la superficie que está procesando. Los metales ligeros se procesan con discos especiales. Al esmerilar de forma basta, el mejor resultado se obtiene con un declive de 30° - 40° entre el disco y la superficie que se está procesando. Al esmerilar de forma basta, no se deben usar discos de corte. No se recomienda el uso de discos cuyo grosor sea superior a 6 mm.

## **Mantenimiento**



**ADVERTENCIA:** Desconecte siempre la herramienta eléctrica y saque el enchufe de la toma de corriente antes de realizar cualquier revisión o mantenimiento.

### **CAMBIO DE CEPILLOS**

Cuando los cepillos se desgasten, los dos deberán ser sustituidos simultáneamente por cepillos originales en un centro de servicio de SPARKY de mantenimiento de garantía y fuera de garantía.

### **REVISIÓN GENERAL**

Revise regularmente todos los elementos de entibación y cerciórese de que hayan sido fuertemente atiesados. En caso de que alguno de los tornillos se haya aflojado, enrósquelo inmediatamente para evitar situaciones de riesgo.

Si el cable de alimentación está dañado, su sustitución deberá efectuarse por el fabricante o por un técnico de servicio suyo a fin de evitar los peligros relativos a esta sustitución.

### **LIMPIEZA**

Para una operación segura, mantenga la máquina y los orificios de ventilación siempre limpios. Revise regularmente que en la rejilla de ventilación, cerca del motor eléctrico o en torno a los conmutadores no se hayan infiltrado polvo o cuerpos ajenos. Utilice un cepillo suave para quitar el polvo acumulado. Lleve gafas de protección para preservar sus ojos durante la limpieza.

Si el cuerpo de la máquina debe limpiarse, límpielo con un paño húmedo y suave. Puede utilizarse un detergente de limpieza suave.

Al trabajar en ambiente muy polvoriento (corte de piedra), es obligatorio después de cada jornada de trabajo (8 horas) limpiar las aberturas de ventilación y el deslizador de la máquina trabajando en marcha al ralenti con aire bajo presión o con golpes moderados, eso es, tocando/dando palmaditas ligeramente alrededor de las aberturas de ventilación con un objeto no metálico (fig.6a, 6b).



**ADVERTENCIA:** No se deben usar alcohol, gasolina ni otros disolventes. No utilice nunca detergentes corrosivos para limpiar las piezas de plástico.



**ADVERTENCIA:** El agua no debe entrar en contacto con la máquina.

**¡IMPORTANTE!** Para garantizar una operación segura con la herramienta eléctrica y su fiabilidad, todas las actividades relativas a su reparación, mantenimiento y regulación (incluida la revisión y el cambio de cepillos) deben efectuarse en los centros de servicio autorizados de SPARKY, empleando sólo piezas de recambio originales.

## Garantía

---

El periodo de garantía de las herramientas SPARKY aparece indicado en la hoja de garantía.

Los daños debido a llevar ropa normal, a sobrecargas o manejo indebido se excluirán de la garantía.

Los daños debido al uso de materiales defectuosos, así como a defectos en la hechura serán subsanados libres de gastos por medio de sustitución o reparación.

Se reconocerán las quejas por herramientas SPARKY defectuosas si la máquina se devuelve al distribuidor o si se entrega al servicio autorizado de garantía sin desmontar, en su estado inicial.

## Notas

---

Lea detenidamente todo el Manual de instrucciones antes de utilizar este producto.

El fabricante se reserva el derecho a cambiar las especificaciones sin previo aviso.

Las especificaciones pueden ser distintas de país a país.



## Conteúdo

Introdução .....	62
Características técnicas .....	64
Instruções gerais para a segurança do trabalho com instrumentos eléctricos .....	65
Instruções adicionais para a segurança do trabalho com rebarbadoras angulares .....	66
Conhecimento do instrumento eléctrico.....	A/70
Instruções para o trabalho .....	B/70
Manutenção.....	72
Garantia .....	73

### DESEMBALAGEM

De acordo com as tecnologias de produção geralmente utilizadas, é pouco provável o novo instrumento eléctrico que você adquiriu ser ineficiente ou lhe faltar alguma peça. Mesmo assim, se você verificar que qualquer coisa não está bem, não trabalhe com o instrumento, enquanto a peça ineficiente não for substituída, ou a imperfeição não ficar eliminada. O não seguimento desta recomendação é capaz de provocar um acidente de trabalho grave.

### MONTAGEM

A rebarbadora (angular) fornece-se embalada e montada, excepto o protector e o punho adicional.

## Introdução

O novo instrumento eléctrico SPARKY que adquiriu vai ultrapassar as suas expectativas. Ele foi fabricado de acordo com os mais elevados padrões de qualidade da SPARKY, os quais vão de encontro com as exigências mais rigorosas do consumidor. Fácil de manutenção e seguro durante a utilização, sendo correctamente manipulado, este instrumento eléctrico servir-lhe-á fielmente durante muitos anos.

### ATENÇÃO!



Leia atentamente toda a instrução para o uso, antes de começar a trabalhar com o seu novo instrumento eléctrico SPARKY. Preste especial atenção aos textos que começam com a palavra “Atenção”. O seu instrumento eléctrico SPARKY possui qualidades que hão de facilitar o seu trabalho. Ao ser fabricado este instrumento eléctrico, maior atenção foi prestada à segurança, às qualidades de exploração e à fiabilidade, as quais fazem dele um instrumento fácil de manutenção e de exploração.



### Não deitar o instrumento eléctrico para o lixo comum!

Os resíduos de aparelhos eléctricos não se devem misturar com o lixo comum. Mande-os para reciclagem nos lugares destinados a isso. Ponha-se em contacto com as autoridades locais ou com um representante para consultar a forma de reciclagem.

### PROTECÇÃO DO MEIO AMBIENTE



Visando a protecção do meio ambiente, o instrumento eléctrico, os seus acessórios e embalagem têm de ser submetidos a uma adequada reelaboração para serem novamente utilizadas as matérias primas contidas neles.

Para facilitar a reciclagem, as peças feitas de materiais sintéticos levam a respectiva denotação.

## DESCRIÇÃO DOS SÍMBOLOS

Sobre a chapa com os dados do instrumento eléctrico estão denotados os símbolos especiais que fornecem importante informação sobre o artefacto ou recomendações para o seu uso.



Duplo isolamento para protecção.



Conexão roscada do veio de rectificação M14.



Conformidade com as directrizes europeias aplicáveis.



Está conforme com as exigências dos regulamentos da União Alfandegária.



Conformidade com as exigências dos documentos normativos ucranianos.



Leia a instrução para o uso.



Utilize sempre óculos protectores

YYYY-Www Período de fabrico, onde os símbolos variáveis são:


YYYY – ano de fabrico,

ww –a respectiva semana corrente do calendário

M

Rebaradora angular.

# Características técnicas

Modelo	M750 HD Compact	M750E HD Compact
Potência consumida	750 W	750 W
Numero de rotações nominal	10500 min <sup>-1</sup>	3500-10500 min <sup>-1</sup>
Rosca do veio	M14	M14
Comprimento da rosca do veio	20 mm	20 mm
Diâmetro interior do disco	22,23 mm	22,23 mm
Diâmetro máximo do disco	125 mm	125 mm
Espessura máx. do disco	6 mm	6 mm
Peso (EPTA procedimento 01/2014)	1,8 kg	1,9 kg
Classe de segurança (EN 60745-1) 	II	II

## INFORMAÇÃO SOBRE RUÍDO E VIBRAÇÕES

Os valores de medição averiguados conforme EN 60745.

### Produção de ruído

A-nível medido de pressão sonora $L_{pA}$	86 dB(A)	85 dB(A)
Indefinição $K_{pA}$	3 dB(A)	3 dB(A)
A-nível medido de potência sonora $L_{WA}$	97 dB(A)	96 dB(A)
Indefinição $K_{WA}$	3 dB(A)	3 dB(A)

### Utilize meios de protecção do ruído!

#### Produção de vibrações \*

Valor global das vibrações (soma vectorial pelos três eixos) determinada conforme EN 60745:

Lixagem de superfícies

Valor das vibrações produzidas $a_{h,AG}$	10,8 m/s <sup>2</sup>	10,6 m/s <sup>2</sup>
Indefinição $K_{AG}$	1,5 m/s <sup>2</sup>	1,5 m/s <sup>2</sup>

Lixagem com lixa

Valor das vibrações produzidas $a_{h,DS}$	<2,5 m/s <sup>2</sup>	
Indefinição $K_{DS}$	1,5 m/s <sup>2</sup>	

\* As vibrações foram determinadas consoante o p. 6.2.7 de EN 60745.

O nível das vibrações, indicado neste manual, foi determinado com base no teste indicado por EN 60745 e pode ser utilizado para a comparação de instrumentos eléctricos. O nível das vibrações pode ser utilizado para a avaliação prévia do grau de impacto.

O nível das vibrações declarado refere-se à utilização/função principal do instrumento. Caso o instrumento eléctrico seja utilizado para outros fins, ou forem utilizados outros acessórios, ou o instrumento não for bem tratado, o nível das vibrações diferenciar-se-á do declarado. Em tais casos o nível do impacto pode crescer consideravelmente dentro do período laboral total.

Ao avaliar o nível de impacto das vibrações, é preciso considerar também o tempo em que o instrumento está desligado, ou está ligado, mas sem funcionar. Tal pode diminuir consideravelmente o nível do impacto dentro do período laboral total.

Mantenha o instrumento eléctrico e os acessórios em bom estado. Cuide as mãos quentes durante o trabalho – isto vai diminuir o efeito nocivo do trabalho com instrumentos de vibração elevada.

O pó resultante do processamento dos materiais tais como pinturas com conteúdo de chumbo, certos tipos de madeiras, minerais e metais, pode ser nocivo para a saúde. O contacto directo ou a aspiração do pó pode causar reacções alérgicas e/ou doenças das vias respiratórias do trabalhador ou das pessoas que se encontram perto dele.

Alguns tipos de pó, por exemplo o de carvalho ou de faia consideram-se carcinogénicos, sobretudo em combinação com ingredientes utilizados no processamento da madeira, tais como cromado ou conservantes. O material que contém amianto tem de ser processado só por especialistas.

- Para conseguir um alto grau de despoejamento ao trabalhar com este instrumento eléctrico, utilize aspirador de pó destinada a captar pó de madeira ou pó de partículas minerais.

- Garanta a boa ventilação do posto de trabalho.

- Recomenda-se o uso de máscara protectora contra o pó com filtro da classe P2.

Cumpra as regras vigentes no Seu país referentes ao processamento dos diferentes materiais.

# Instruções gerais para a segurança de trabalho com Instrumentos eléctricos



**ATENÇÃO!** Devem ser lidas todas as indicações de advertência e todas as instruções. O desrespeito das advertências e instruções apresentadas abaixo pode causar choque eléctrico, incêndio e/ou graves lesões.

Guarde bem todas as advertências e instruções para futura referência.

O termo “Ferramenta eléctrica” utilizado a seguir nas indicações de advertência, refere-se a ferramentas eléctricas operadas com corrente de rede (com cabo de rede) e a ferramentas eléctricas operadas com bateria (sem cabo de rede).

## 1) Segurança da área de trabalho

- Mantenha a sua área de trabalho sempre limpa e bem iluminada. Desordem ou áreas de trabalho insuficientemente iluminadas podem levar a acidentes.
- Não trabalhar com a ferramenta eléctrica em áreas com risco de explosão, nas quais se encontrem líquidos, gases ou pós inflamáveis. Ferramentas eléctricas produzem faíscas, que podem inflamar pós ou vapores.
- Manter crianças e outras pessoas afastadas da ferramenta eléctrica durante a utilização. No caso de distração é possível que perca o controlo sobre o aparelho.

## 2) Segurança eléctrica

- A ficha de conexão da ferramenta eléctrica deve caber na tomada. A ficha não deve ser modificada de maneira alguma. Não utilizar uma ficha de adaptação junto com ferramentas eléctricas protegidas por ligação a terra. Fichas não modificadas e tomadas apropriadas reduzem o risco de um choque eléctrico.
- Evitar que o corpo possa entrar em contacto com superfícies ligadas a terra, como tubos, aquecimentos, fogões e frigoríficos. Há um risco elevado devido a choque eléctrico, se o corpo estiver ligado a terra.

- Manter o aparelho afastado de chuva ou humidade. A infiltração de água numa ferramenta eléctrica aumenta o risco de choque eléctrico.
- Não deverá utilizar o cabo para outras finalidades. Jamais utilizar o cabo para transportar a ferramenta eléctrica, para pendurá-la, nem para puxar a ficha da tomada. Manter o cabo afastado de calor, óleo, cantos afiados ou partes do aparelho em movimento. Cabos danificados ou emaranhados aumentam o risco de um choque eléctrico.
- Se trabalhar com uma ferramenta eléctrica ao ar livre, só deverá utilizar cabos de extensão apropriados para áreas exteriores. A utilização de um cabo de extensão apropriado para áreas exteriores reduz o risco de um choque eléctrico.
- Se não for possível evitar o funcionamento da ferramenta eléctrica em áreas húmidas, deverá ser utilizado uma disjuntor de corrente de avaria. A utilização de um disjuntor de corrente de avaria reduz o risco de um choque eléctrico.

## 3) Segurança de pessoas

- Esteja atento, observe o que está a fazer e tenha prudência ao trabalhar com a ferramenta eléctrica. Não utilizar uma ferramenta eléctrica quando estiver fadigado ou sob a influência de drogas, álcool ou medicamentos. Um momento de descuido ao utilizar a ferramenta eléctrica, pode levar a lesões graves.
- Utilizar equipamento de protecção pessoal e sempre óculos de protecção. A utilização de equipamento de protecção pessoal, como máscara de protecção contra pó, sapatos de segurança antiderrapantes, capacete de segurança ou protecção auricular, de acordo com o tipo e aplicação da ferramenta eléctrica, reduz o risco de lesões.
- Evitar uma colocação em funcionamento involuntária. Assegure-se de que a ferramenta eléctrica esteja desligada, antes de conectá-la a alimentação de rede e/ou ao acumulador, antes de levantá-la ou de transportá-la. Se tiver o dedo no interruptor ao transportar a ferramenta eléctrica ou se o aparelho for conectado a alimentação de rede enquanto estiver ligado, poderão ocorrer acidentes.
- Remover ferramentas de ajuste ou chaves de boca antes de ligar a ferramenta eléctrica. Uma ferramenta ou chave que

se encontre numa parte do aparelho em movimento pode levar a lesões.

- e) **Evite uma posição anormal. Mantenha uma posição firme e mantenha sempre o equilíbrio.** Desta forma é mais fácil controlar a ferramenta eléctrica em situações inesperadas.
- f) **Usar roupa apropriada. Não usar roupa larga nem jóias. Mantenha os cabelos, roupas e luvas afastadas de partes em movimento.** Roupas frouxas, cabelos longos ou jóias podem ser agarrados por peças em movimento.
- g) **Se for possível montar dispositivos de aspiração ou de recolha, assegure-se de que estejam conectados e utilizados correctamente.** A utilização de uma aspiração de pó pode reduzir o perigo devido ao pó.

#### 4) Utilização e manuseio cuidadoso de ferramentas eléctricas

- a) **Não sobrecarregue o aparelho. Utilize a ferramenta eléctrica apropriada para o seu trabalho. É melhor e mais seguro trabalhar com a ferramenta eléctrica apropriada na área de potência indicada.**
- b) **Não utilizar uma ferramenta eléctrica com um interruptor defeituoso. Uma ferramenta eléctrica que não pode mais ser ligada nem desligada, é perigosa e deve ser reparada.**
- c) **Puxar a ficha da tomada e/ou remover o acumulador antes de executar ajustes no aparelho, de substituir acessórios ou de guardar o aparelho. Esta medida de segurança evita o arranque involuntário da ferramenta eléctrica.**
- d) **Guardar ferramentas eléctricas não utilizadas fora do alcance de crianças. Não permita que pessoas que não estejam familiarizadas com o aparelho ou que não tenham lido estas instruções, utilizem o aparelho. Ferramentas eléctricas são perigosas se forem utilizadas por pessoas inexperientes.**
- e) **Tratar a ferramenta eléctrica com cuidado. Controlar se as partes móveis do aparelho funcionam perfeitamente e não emperram, e se há peças partidas ou danificadas que possam prejudicar o funcionamento da ferramenta eléctrica. Permitir que peças danificadas sejam reparadas antes da utilização. Muitos acidentes têm como causa, a manutenção insuficiente de ferramentas eléctricas.**

- f) **Manter as ferramentas de corte afiadas e limpas. Ferramentas de corte cuidadosamente tratadas e com cantos de corte afiados emperram com menos frequência e podem ser conduzidas com maior facilidade.**
- g) **Utilizar a ferramenta eléctrica, acessórios, ferramentas de aplicação, etc. conforme estas instruções. Considerar as condições de trabalho e a tarefa a ser executada. A utilização de ferramentas eléctricas para outras tarefas a não ser as aplicações previstas, pode levar a situações perigosas.**

#### 5) Serviço

- a) **Só permita que o seu aparelho seja reparado por pessoal especializado e qualificado e só com peças de reposição originais. Desta forma é assegurado o funcionamento seguro do aparelho.**

## Instruções adicionais para a segurança do trabalho com Rebarbadoras angulares

---

Instruções gerais para a lixagem com disco abrasivo, com lixa, limpeza com escova de arame, polimento e corte com disco abrasivo:

- a) **Este instrumento eléctrico pode ser utilizado como máquina de rebarbar com disco abrasivo, com lixa, com escova de arame, máquina de polir e máquina de corte com disco abrasivo. Leia todas as instruções para a segurança do trabalho, indicações e imagens que recebeu junto com o instrumento. O incumprimento das instruções para a segurança pode provocar lesões pela corrente eléctrica, incêndio e/ou ferimento sério.**
- b) **Este instrumento eléctrico não é adequado para polimento. Operações para as quais o instrumento não é destinado podem provocar perigo de ferimento. (M 750 HD Compact)**
- c) **Não use acessórios que não são permitidos nem recomendados pelo fabricante especialmente para este instrumento. O**

- facto de que você possa ajustar acessórios ao seu instrumento eléctrico não garante o uso seguro do Instrumento.*
- d) **As rotações nominais do acessório têm de ser pelo menos iguais aos indicados sobre o instrumento rotações máximas.** *Os acessórios que giram com velocidade maior do que a sua velocidade nominal podem ficar partidos e os seus pedaços a voarem.*
- e) **O diâmetro externo e a espessura do instrumento de trabalho têm de ficar nas marcas das dimensões indicadas para o seu instrumento eléctrico.** *Acessórios de dimensões inadequadas não podem ser assegurados e geridos bem.*
- f) **Ferramentas de trabalho com encaixe roscado devem caber exactamente na rosca do veio de rectificação.** *Para ferramentas de trabalho montadas com flange é necessário que o diâmetro do furo da ferramenta de trabalho tenha as dimensões apropriadas para o flange. Ferramentas de trabalho, que não são fixas exactamente na ferramenta eléctrica, giram de forma irregular, vibram fortemente e podem levar à perda de controlo.*
- g) **Não use acessórios danificados.** *Antes de cada uso verifique os acessórios – os discos abrasivos para superfícies dentadas e rachadas, os discos elásticos para rachaduras, rupturas ou desgaste sensível, as escovas de arame para fios afrouxados ou partidos. Se deixar cair o instrumento ou o acessório ao chão, verifique se está danificado ou monte um acessório novo. Depois de o acessório ter sido verificado e montado, ponha-se junto com os espectadores num lugar fora da superfície de rotação do acessório e deixe o instrumento trabalhar ao ralenti às rotações máximas durante 1 minuto. Normalmente esse tempo é suficiente para os acessórios danificados ficarem partidos.*
- h) **Use meios individuais de protecção.** *Segundo o caso concreto, use máscara protectora para a cara ou óculos protectores. Caso seja necessário, use máscara anti pó, meios de protecção do ouvido, luvas protectoras ou avental especial. Os meios de protecção dos olhos têm de proteger das partículas voantes surgidas nas diferentes operações. Os meios de protecção contra o pó e os gases têm de filtrar as partículas que surgem durante*
- o trabalho. A exposição prolongada a ruído forte pode provocar problemas auditivos.*
- i) **Mantenha os espectadores a uma distância segura da zona de trabalho.** *Cada pessoa que se encontra na zona de trabalho tem de usar meios individuais de protecção. É possível que aparas voantes da peça processada ou do acessório partido provoquem ferimento mesmo fora da zona imediata de trabalho.*
- j) **Pegue no instrumento só pelas superfícies isoladas quando está a realizar qualquer operação na qual o acessório cortante pode ter contacto com instalação eléctrica escondida ou com o cordão próprio.** *O contacto do acessório cortante com cabo sob tensão colocará também as partes metálicas descobertas sob tensão e o operário pode sofrer um choque eléctrico.*
- k) **Mantenha o cabo alimentador fora do alcance do acessório em funcionamento.** *Se perder o controlo sobre o instrumento, o cabo alimentador pode ficar cortado ou levar a sua mão para a área de rotação do instrumento.*
- l) **Nunca deixe o instrumento antes de o acessório ter parado definitivamente a rotação.** *O acessório girando pode apanhar o material processado e perder o controlo sobre o instrumento.*
- m) **Não deixe o instrumento trabalhar enquanto o estiver transportando.** *Contacto casual do acessório girando com a sua roupa pode apanhá-la e assim causar danos corporais.*
- n) **Limpe regularmente as aberturas de ventilação do instrumento.** *O ventilador do motor aspira pó no corpo do instrumento e a acumulação exagerada de pó de metal pode provocar risco de ferimento com a corrente eléctrica.*
- o) **Não use o instrumento perto de materiais inflamáveis.** *As faíscas podem acender esses materiais.*
- p) **Não use acessórios com os quais se exigem substâncias líquidas de arrefecimento no trabalho.** *O uso de água ou outras substâncias de arrefecimento pode causar avaria ou choque eléctrico.*
- **O instrumento tem de se usar só para o que for destinado.** *Qualquer outro uso diferente do que está descrito neste manual considerar-se-á uso incorrecto. A responsabilidade de qualquer avaria ou ferimento que decorrem do uso incorrecto*

*será assumida pelo consumidor e não pelo fabricante.*

- **O fabricante não assume a responsabilidade pelas alterações feitas no instrumento pelo consumidor, nem pelas avarias que decorrem dessas alterações.**
- **Ao trabalhar em ambiente poeirento, as aberturas de ventilação do instrumento têm de se manter limpas. Caso seja necessário limpá-las do pó acumulado, primeiro desligue o instrumento da corrente e use objectos não metálicos para limpar o pó procurando não danificar as peças internas do instrumento. O instrumento vai ficar sobreaquecido ao diminuir o arrefecimento devido à acumulação de pó nas aberturas de ventilação.**
- **O instrumento não pode ser usado ao ar livre em tempo de chuva, em ambiente húmido (depois de chuva) ou perto de líquidos facilmente inflamáveis. O local de trabalho tem de ficar bem iluminado.**

## **Outras instruções de segurança de todas as operações**

### **Ricochete (golpe contrário) e as instruções de segurança relacionadas com ele**

Ricochete é a reacção repentina em resultado de congestionamento ou bloqueamento dum acessório, digamos, disco abrasivo, disco elástico, escova de arame, etc. O congestionamento ou bloqueamento produz a paragem repentina da rotação do acessório, o qual, por sua vez, empurra o instrumento não controlado para o sentido contrário ao do sentido da rotação do instrumento no ponto do congestionamento. Por exemplo, se o disco abrasivo ficar congestionado ou bloqueado na peça, a borda do disco abrasivo inserido na peça fica ali e depois o disco pode-se partir ou provocar ricochete. O disco abrasivo salta no sentido do operário ou no sentido contrário dependendo isto do sentido da rotação do disco no lugar do bloqueamento. Nestas circunstâncias é possível que os discos abrasivos fiquem partidos. O ricochete é o resultado do uso e/ou exploração ou condições de trabalho incorrectos e pode ser evitado observando as medidas de segurança a seguir:

- a) **Pegue no instrumento bem, ocupe posição adequada e mantenha as mãos de modo que possa dominar a força do ricochete. Use sempre o punho adicional, se o instrumento for provido de tal para ter o maior controlo possível sobre a força do ricochete ou sobre o momento**

**de reacção na altura do accionamento. Mediante medidas de protecção adequadas, o operário pode dominar o momento de reacção e o ricochete.**

- b) **Nunca ponha as mãos perto do acessório girando. O acessório pode saltar sobre a Sua mão.**
- c) **Não fique na área da eventual deslocação do instrumento em caso de ricochete. O ricochete movimenta o instrumento em sentido contrário ao do movimento do disco abrasivo no lugar do bloqueamento.**
- d) **Quando está a processar ângulos, bordas afiadas, etc., trabalhe com a atenção elevada. Não permita que o acessório salte ou bloqueie a peça. No trabalho com ângulos, bordas afiadas, etc., existe o perigo de o acessório que gira fique congestionado e provoque perda de controlo ou ricochete.**
- e) **Não use discos em cadeia ou circulares para processar madeira. Esses acessórios provocam frequentemente ricochete ou perda de controlo sobre o instrumento.**
  - **Fixe a peça processada com um grampo ou de outro modo adequado.**

### **Instruções específicas para a segurança do trabalho de lixagem e corte com disco abrasivo.**

- a) **Use só os tipos de discos com o respectivo protector recomendados para o instrumento. Discos que não foram fabricados para esse instrumento não podem ser devidamente protegidos e não são seguros.**
- b) **Rebolas acotovelados devem ser montados de modo que a sua superfície retificadora não sobressaia do nível da borda da cobertura de protecção. Um rebolo montado de forma incorreta, que sobressaia do nível da borda da cobertura de protecção, não pode ser suficientemente protegido.**
- c) **O protector tem de se fixar bem ao instrumento e estar disposto de modo que garanta a segurança máxima, i.e., uma parte mínima possível do disco ficar aberta para com o operário. O protector tem de proteger o operário de partículas voantes, contacto casual com o disco e faíscas que poderiam incendiar a roupa.**
- d) **Os discos têm de ser usados apenas para as aplicações recomendadas. Por exemplo, nunca lixe com a superfície**



**lateral dum disco cortante.** Os discos cortantes são destinados a remoção de material com a borda do disco. Ao exercer pressão lateral sobre um disco deste tipo, ele pode ficar partido.

- e) **Use sempre flanges de compressão perfeitos de dimensão e forma adequadas para o disco escolhido.** Os flanges de compressão correctamente escolhidos fixam o disco e diminuem o perigo de ele ficar partido. Os flanges de compressão para discos cortantes podem ser diferentes dos flanges de compressão para outros discos.
- f) **Não use discos gastos de instrumentos eléctricos maiores.** O disco para um instrumento maior não é adequado para as revoluções mais aceleradas dum instrumento menor e pode ficar partido.
- **Observe sempre o sentido de rotação do disco.** A força de reacção é contrária ao sentido da rotação no lugar de lixagem ou corte, sendo uma premissa para a perda de controlo sobre o instrumento.
- **Mantenha sempre o instrumento de modo que as faíscas e o pó se dispersarem longe do corpo humano.** Os instrumentos eléctricos produzem faíscas que podem queimar a roupa ou as partes desprotegidas do corpo.
- **Não se admite lixagem e corte de construções metálicas recém-pintadas antes de a pintura ter secado.** Existe o perigo de a pintura ainda sem secar incendiar-se.
- **Não se admite cortar materiais inflamáveis (madeira, plásticos, etc.) e de construções pré-fabricadas do tipo “sanduíche” com recheio inflamável.** Existe o perigo de incêndio.
- **Não se admite lixagem e corte de equipamentos que trabalham sob pressão.** Existe o perigo de explosão.
- **Não se admite lixagem e corte de tanques, tubagens, aparelhos, etc.** nos quais há ou tem havido substâncias e materiais inflamáveis, sem ter tomado previamente as respectivas medidas de segurança contra incêndio e explosão. Existe o perigo de incêndio ou explosão.

### **Instruções específicas para a segurança do trabalho de corte com disco abrasivo**

- a) Evite congestionamento do disco cortante ou aplicação duma pressão exagerada. Não tente fazer cortes profundos

**de mais.** A sobrecarga no disco cortante aumenta o seu desgaste e a sua susceptibilidade para torcimento ou bloqueamento, daí a possibilidade de ricochete ou fractura do disco.

- b) **Não fique na zona diante ou detrás do disco girando.** Se o disco cortante no lugar do corte se vai afastando do seu corpo, no caso dum eventual ricochete empurraria o instrumento com o disco girando directamente para o seu corpo.
- c) **Caso o disco cortante tenha ficado congestionado ou por alguma razão Você tenha interrompido o trabalho, desligue o instrumento e mantenha-o imóvel até o disco ter deixado de girar definitivamente.** Nunca tente retirar o disco da secção enquanto girar, pois no caso contrário pode provocar ricochete. Descubra e elimine a causa do congestionamento.
- d) **Nunca ligue de novo o instrumento enquanto o disco cortante se encontrar ainda dentro da peça.** Deixe o disco cortante atingir as suas rotações máximas antes de introduzi-lo com cuidado da secção. Caso contrário, o disco pode ficar congestionado, escorregar da peça ou saltar para trás.
- e) **Segure com suportes adicionais as lajes ou peças de maiores dimensões para diminuir o risco de congestionamento e ricochete.** As peças de maiores dimensões ficam inclinadas em resultado do seu próprio peso. A peça tem de se apoiar pelos dois lados do disco, tanto perto da secção, como também nos seus extremos.
- f) **Esteja especialmente atento ao cortar canais em paredes existentes ou noutras superfícies muradas.** O disco que sobressai para frente pode cortar tubagens de gás ou de água, instalação eléctrica ou outros objectivos, o qual pode provocar ricochete.

### **Instruções específicas de segurança do trabalho de lixagem com lixa**

- a) **Não use folhas de lixa grandes de mais, observe as instruções do produtor quanto às dimensões da lixa.** Quando a folha de lixa sai para fora do disco elástico, pode ficar partido, provocar bloqueamento, factura da lixa ou ricochete.

### **Instruções específicas de segurança do trabalho de polimento**

- a) **Não admita que partes afrouxadas no**

**caso de lâ ou do cordão fixador girem livremente. Meta ou aperte os extremos livres do cordão fixador. Os cordões afrouxados que giram livremente podem-se envolver nos seus dedos ou prender-se à peça.**

### Instruções específicas de segurança do trabalho com escovas de arame

- a) **Tenha em conta que num processo de trabalho normal da escova de arame caem fios de arame. Não sobrecarregue os fios ao apertar exageradamente a escova. Os fios de arame voantes podem penetrar na roupa fina e/ou na pele.**
- b) **No trabalho com escova de arame recomenda-se o uso de protector, não admita que o protector e a escova de arame em forma de disco ou de taça entrem em contacto. As escovas de arame em forma de disco ou de taça podem aumentar o seu diâmetro sob a influência da pressão durante o trabalho ou da forças centrífugas.**

## Conhecimento do instrumento eléctrico

Antes de começar o trabalho com o instrumento, informe-se sobre todas as suas especificidades operacionais e condições de segurança. Use o instrumento e os seus acessórios só para o que forem destinados. Qualquer outra aplicação fica terminantemente proibida.

1. Veio de rectificação
- 2.1 Protector do disco rebarbador
- 2.2 Protector de disco cortante\*
3. Flange de apoio
- 4.1 Disco de rebarbador (utilizar só com protector para disco rebarbador)\*
- 4.2 Disco cortante (utilizar só com protector para disco cortante)\*
5. Porca de aperto
6. Punho adicional
7. Interruptor de ligar/desligar
8. Regulador electrónico das rotações (M 750E HD Compact)
9. Botão de bloqueio do veio

### ACESSÓRIOS QUE PODEM SER UTILIZADOS COM ESTE INSTRUMENTO ELÉCTRICO

10. Escova metálica

11. Prato abrasivo de borracha\*
12. Folha de lixar\*
13. Porca especial\*

\* Os acessórios adicionais desenhados nas figuras ou descritas na instrução não estão incluídos no conjunto do instrumento.

## Instruções para o trabalho

Estes instrumentos eléctricos alimentam-se unicamente por tensão alternada monofásica. Têm duplo isolamento conforme EN 60745 e IEC 60745 e podem juntar-se a tomadas sem terminais protectores. As radio perturbações correspondem à Directriz pela compatibilidade electromagnética.

Este instrumento eléctrico é destinado para cortar, desbastar e para escovar substâncias metálicas e de pedra sem utilizar água.

### ANTES DE COMEÇAR O TRABALHO

- O instrumento eléctrico pode fornecer-se com protector montado. Verifique sempre se o protector do disco esta correctamente colocado e bem apertado.
- O instrumento eléctrico pode fornecer-se com disco rebarbador ou cortante montado. Verifique se sempre o disco está correctamente colocado e bem apertado.
- Verifique se a tensão da rede eléctrica corresponde à que está indicada sobre a chapa com os dados técnicos do instrumento eléctrico.;
- Verifique em que posição se encontra o interruptor. O instrumento tem de se ligar e desligar da rede só com o interruptor desligado. Se meter a tomada na rede enquanto o interruptor estiver em posição de accionado, o instrumento accionar-se-á imediatamente, o qual pode resultar em acidente.
- Assegure-se da perfeição do cabo de alimentação e do pino de tomada. Se o cabo de alimentação está danificado, a sua substituição tem de se fazer pelo produtor ou por especialista de serviço autorizado por ele para evitar os perigos decorrentes dessa operação.



**ADVERTÊNCIA:** Desligue o pino da tomada antes de realizar quaisquer consertos, reparações ou manutenção, bem como nos casos de corte da tensão alimentadora.

- Ao utilizar discos de corte diamantados deverá assegurar-se de que a seta do sentido de rotação sobre o disco de corte diamantado coincida com o sentido de rotação da ferramenta elétrica (veja seta do sentido de rotação sobre o cabeçote de engrenagens).
- Verifique se o diâmetro e a espessura do disco não ultrapassam os indicados nos dados técnicos. A velocidade periférica admissível marcada sobre o disco não tem de ser menor de 80 m/s. Os discos têm de se conservar e o trabalho com eles tem de obedecer às instruções do seu produtor.
- Se a zona de trabalho estiver afastada da fonte de alimentação, use extensão quanto mais curto possível de secção adequada.
- Verifique se o punho adicional está correctamente colocado e bem apertado.

## ARRANQUE – PARAGEM

Arranque: O deslizador do interruptor de ligar/desligar (7) desloca-se para frente até que a sua parte dianteira fique afundada e bem afixada.  
Paragem: O extremo traseiro elevado do interruptor de ligar/desligar (7) aperta-se e se deixa voltar sozinho para trás até à posição inicial.

## REGULAMENTO ELECTRÓNICO DAS ROTAÇÕES (M 750E HD Compact)

Trabalho continuo a rotações baixas não está recomendado para os modelos M 750E HD Compact.

Girando o regulador electrónico (8), que se encontra na parte traseira da rebarbadora, as rotações regulam-se paulatinamente. As posições recomendáveis do regulador para as diferentes áreas de aplicação podem-se ver no quadro a seguir:

Área de aplicação	Posição do regulador
1. Rebarbagem de plásticos com disco de plástico e lixa	A - C
2. Rebarbagem de madeira e limpeza de áreas cobertas de verniz ou pintura	B - D
3. Rebarbagem de metal com disco de plástico e lixa	C - F
4. Limpeza de ferrugem com escova metálica	D - F
5. Limpeza tosca, corte de metal ou pedra	G
6. Polimento com disco de plástico e estojo de polimento	A - B

Modelos M 750E HD Compact tem pré-selecção electrónica e controlo de velocidade para:

- arranque gradual e limitação da corrente de arranque;
- Escolha previa e regulação das rotações.

## PROTECTOR DO DISCO



**ADVERTÊNCIA:** O protector do disco rebarbador (2.1) ou o protector do disco cortante (2.2), respectivamente para o disco rebarbador (4.1) ou para o disco cortante (4.2) tem de estar sempre montado na máquina!

A sua posição é diferente em função do lado no qual está montada a manipula complementar, bem como quando a máquina é montada em suporte.

## MUDANÇA DO DISCO

O veio de rectificação (1) da máquina rebarbadora afixa-se apertando o botão de bloqueio do veio (9), que se encontra na caixa redutora da máquina.



**ADVERTÊNCIA:** Não se permite apertar o botão com o veio em funcionamento.

Apertando o botão dobra-se o veio até ficar definitivamente afundado. A porca de aperto (5) desenrola-se com chave especial. O novo disco coloca-se sobre o flange de apoio (3) com as inscrições para cima, ao passo que a porca de aperto (5) enrola-se com a parte chata em sentido para o disco, utilizando a chave especial. Utilize as argolas de suporte de papel, se o disco está apetrechado delas. Depois da mudança do disco, ponha a máquina a trabalhar por volta de um minuto sem carga. Os discos vibrantes ou com rotação irregular têm de ser imediatamente substituídos.

A escova metálica 10 enrola-se directamente sobre o veio de rectificação (1) com a ajuda de uma chave-inglesa. (Verificar se o comprimento da rosca da escova é suficiente para abranger a rosca do veio).

A rebarbagem com lixa e o polimento fazem-se com o prato abrasivo de borracha (11), debaixo do qual se coloca a folha de lixar (12). O prato abrasivo de borracha (11) coloca-se sobre o flange de apoio (3) e aperta-se com a porca especial (13), com a qual está apetrechado. Caso seja utilizado disco operacional com argola inserida, ele enrola-se directamente no fuso, sem utilizar a porca de aperto (5), com a ajuda duma

chave-inglesa. O disco de porca inserida pode ser de esponja que contém resina, pode ser de polipenuretano com suporte de plástico no qual está inserida a porca, ao passo que a própria lamina de lixa ou feltro de lã liga-se ao disco de polipenuretano mediante um sistema de “colagem”. Depois de mudar o prato abrasivo de borracha ponha o instrumento a trabalhar com o novo disco por volta de um minuto sem carga. Os discos que vibram ou giram de modo irregular têm de ser imediatamente substituídos.

## **INSTRUÇÕES PARA A MONTAGEM DO PROTECTOR**

Antes da realização dos seguintes trabalhos, a máquina tem de estar desligada da rede de alimentação retirando o pino de tomada:

### **Montagem do protector (fig.1):**

- Dobre o anel preto de plástico (fig. 2), de modo que a fenda S do anel coincida com o entalhe onde cai o dente da alavanca de bloqueio L.

- Colocar o protector em posição não operacional (fig.2) de maneira que os quatro dentes coincidam com as quatro fendas no encaixe do rolamento (fig.3)

- Aperte o protector para baixo e dobre-o no sentido horário até à posição operacional desejada na qual o protector trava-se pela alavanca de travamento L.

### **Dobrar o protector para uma nova posição operacional:**

- Dobre o protector só no sentido horário até à posição operacional desejada na qual o protector trava-se pela alavanca de travamento L. (fig.4)

### **Remoção do protector**

- Dobre o protector em posição não operacional (fig.3) de maneira que os quatro dentes coincidam com as quatro fendas no encaixe do rolamento e retire-o para cima (fig.2).

## **PUNHO ADICIONAL**

Normalmente o punho adicional (6) coloca-se do lado esquerdo da máquina. Pode-se colocar do lado direito também, se tal for mais cómodo para o operador.

## **ROTAÇÃO DO CORPO DA MÁQUINA**

O corpo da máquina pode girar aos 90° ou aos 180°. A primeira posição aplica-se quando a máquina se utiliza principalmente para cortar e a segunda, quando o operador trabalha melhor com a mão esquerda. Em ambos os casos, a rotação

do corpo tem de se fazer por pessoas competentes no respectivo serviço autorizado de assistência de instrumentos manuais SPARKY.

## **RECOMENDAÇÕES**

Ao trabalhar com disco cortante, não apertar, nem oscilar. Trabalhar com avanço moderado, adequado para o material processado. É importante o sentido no qual se corta. O instrumento tem de trabalhar sempre com a marcha de frente. Não mover o instrumento noutra direcção, porque existe o perigo de exercer pressão fora do corte.

Ao cortar perfis e tubos quadrangulares, é melhor iniciar o corte do lado mais pequeno. Ao rebarbar, não apertar o instrumento sobre a superfície processada, mas mover o disco levemente para frente e para trás. Os metais ligeiros processam-se com discos especiais. O melhor resultado da rebarbagem tosca obtém-se sob inclinação de 30°- 40° entre o disco e a superfície processada. No caso da rebarbagem tosca não se admite o uso de discos para corte. Não se recomenda o uso de discos com espessura maior de 6 mm.

## **Manutenção**



**ADVERTÊNCIA:** Desligue sempre o instrumento da corrente quando vai efectuar qualquer revisão ou manutenção.

## **SUBSTITUIÇÃO DAS ESCOVAS**

Quando as escovas ficarem gastas, ambas têm de ser substituídas simultaneamente por escovas originais da oficina de serviço da SPARKY para assistência no prazo de garantia e fora dele.

## **REVISÃO GERAL**

Verifique regularmente todos os elementos de suporte e verifique se estão bem apertados. Caso algum parafuso tenha ficado afrouxado, aparafuse-o o imediatamente para evitar situações de risco.

Se o cabo alimentador estiver danificado, a substituição tem de se fazer pelo produtor ou seu especialista autorizado de oficina de serviço, para evitar os perigos da substituição.

## **LIMPEZA**

Para um trabalho seguro mantenha sempre limpo o instrumento e as aberturas de ventilação.

Verifique regularmente se na grelha da ventilação perto do motor eléctrico e dos comutadores não tenham penetrado pó ou corpos alheios. Use uma escova fina para remover o pó acumulado. Para proteger os olhos durante a limpeza use óculos protectores. Caso o corpo do instrumento precise de limpeza, use um pano macio húmido. Pode usar também algum detergente fraco.

Ao trabalhar num ambiente muito poeirento (corte de pedra), é obrigatório depois de cada jornada de trabalho (8 horas) limpar as aberturas de ventilação e o deslizador da máquina trabalhando ao ralenti com ar sob pressão ou dando golpes moderados, i.e., tocando/batendo ligeiramente ao redor das aberturas de ventilação com um objecto não metálico (fig.6a,6b).



**ADVERTÊNCIA:** Não se admite o uso de álcool, gasolina ou outros solventes. Nunca use substâncias corrosivas para limpar as partes de plástico.



**ADVERTÊNCIA:** Não se admite a entrada de água em contacto com o instrumento.

**IMPORTANTE!** Para garantir o trabalho seguro com o instrumento e a confiança nele, todas as actividades relacionadas com reparação, manutenção e regulação (incluindo a revisão e substituição das escovas) têm de se fazer nas oficinas de serviço autorizadas da SPARKY utilizando só peças de substituição originais.

## Garantia

O prazo de garantia dos instrumentos eléctricos SPARKY está indicado no cartão de garantia. Problemas surgidos em resultado do desgaste natural, sobrecarga ou utilização incorrecta, ficam excluídos dos deveres da garantia. Os problemas surgidos devido ao uso de materiais de baixa qualidade e/ou erros de fabricação, eliminam-se sem pagamento adicional mediante substituição ou reparação.

Reclamação por um instrumento eléctrico SPARKY defeituoso reconhece-se quando o instrumento for devolvido ao distribuidor ou for levado a uma oficina autorizada de assistência em prazo de garantia no seu estado inicial (montado).

## Observações

Leia atentamente toda a instrução para o uso, antes de começar a trabalhar com este aparelho. O fabricante reserva-se o direito de introduzir melhoras e modificações nos seus aparelhos, bem como modificar as especificações sem aviso.

As especificações podem variar de país para país.

# Spis treści

Wstęp .....	74
Dane techniczne .....	76
Ogólne instrukcje bezpieczeństwa przy pracy z elektronarzędziami .....	77
Dodatkowe wskazówki bezpieczeństwa przy pracy ze szlifierkami kątowymi .....	78
Zapoznanie się z elektronarzędziem .....	A/81
Wskazówki pracy .....	B/82
Konserwacja .....	84
Gwarancja .....	85

## ROZPAKOWANIE

Państwa produkt został zmontowany i zapakowany z należytą starannością, istnieje niewielkie prawdopodobieństwo, że urządzenie może być uszkodzone lub brakować części. Jeśli zostanie taki fakt stwierdzony nie należy używać urządzenia do momentu usunięcia braków. Praca niekompletnym urządzeniem może być przyczyną poważnych uszkodzeń ciała.

## MONTAŻ

Szlifierka kąтова jest dostarczana w opakowaniu i zmontowana, z wyjątkiem osłony tarczy oraz uchwytu dodatkowego.

## Wprowadzenie

Gratulujemy wyboru urządzenia SPARKY, zdolnego spełnić oczekiwania najbardziej wymagającego użytkownika. Urządzenie zostało wyprodukowane zgodnie z rygorystycznymi standardami jakości SPARKY, aby zapewnić najwyższą jakość funkcjonowania. To łatwe i bezpieczne w użytkowaniu urządzenie, odpowiednio stosowane i konserwowane, zapewni Państwu długie lata niezawodnej pracy.

### UWAGA!



Prosimy o dokładne zapoznanie się z niniejszą instrukcją obsługi przed użyciem urządzenia SPARKY, zwracając szczególną uwagę na ostrzeżenia i uwagi. Dzięki swoim cechom, urządzenie SPARKY zapewnia szybką i łatwą pracę. Bezpieczeństwo, niezawodność i wydajność były priorytetami przy konstruowaniu tego urządzenia aby zapewnić łatwość obsługi oraz utrzymania.



### Nie wyrzucać urządzeń elektrycznych razem z odpadami domowymi!

Zużyte urządzenia elektryczne nie mogą być wyrzucane wraz z odpadami z gospodarstwa domowego. Tam gdzie to możliwe, należy oddać zużyte urządzenie do punktu odzyskiwania surowców. Należy skontaktować się z władzami lokalnymi lub sprzedawcą w celu uzyskania informacji odnośnie odzyskiwania surowców.

## OCHRONA ŚRODOWISKA



Urządzenie, akcesoria oraz opakowanie powinny zostać odpowiednio posortowane przed recyklingiem. Części plastikowe są oznaczone odnośnie odpowiedniej kategorii odzyskiwania surowca.

## OPIS SYMBOLI

Tabliczka znamionowa urządzenia może przedstawiać symbole. Przedstawiają one ważne informacje o produkcie lub jego obsłudze.



Izolacja podwójna zabezpieczenia dodatkowego.



Gwint łącznikowy wrzeciona M14.



Zgodny z odpowiednimi dyrektywami europejskimi.



Spełnia wymagania przepisów Unii Celnej.



Zgodność z wymogami ukraińskich dokumentów normatywnych.



Zapoznać się z instrukcją obsługi.



Stosować zawsze okulary ochronne

YYYY-Www Okres produkcji, w którym zmiennymi symbolami są:  
YYYY- roku produkcji,  
ww – tydzień kalendarzowy.

M Szlifierka kąтова.



## Dane techniczne

Model	M750 HD Compact	M750E HD Compact
Moc	750 W	750 W
Znamionowa prędkość obrotowa	10500 min <sup>-1</sup>	3500-10500 min <sup>-1</sup>
Gwint łącznikowy wrzeciona	M14	M14
Długość gwintu wrzeciona	20 mm	20 mm
Średnica wewnętrzna tarczy szlifierskiej	22,23 mm	22,23 mm
Maksymalna średnica tarczy szlifierskiej	125 mm	125 mm
Maksymalna grubość tarczy szlifierskiej	6 mm	6 mm
Waga (wg procedury EPTA 01/2014)	1,8 kg	1,9 kg

Klasa bezpieczeństwa (EN 60745-1) 

II

II

### INFORMACJE O POZIOMIE HAŁASU I DRGAN

Wartości zmierzone zgodnie z normą EN 60745.

#### Emisja hałasu

A- zważony poziom ciśnienia dźwięku L <sub>pA</sub>	86 dB(A)	85 dB(A)
Nieokreśloność K <sub>pA</sub>	3 dB(A)	3 dB(A)
A- zważony poziom natężenia dźwięku L <sub>WA</sub>	97 dB(A)	96 dB(A)
Nieokreśloność K <sub>WA</sub>	3 dB(A)	3 dB(A)

Stosować środki ochrony przed hałasem!

#### Emisja drgań \*

Wartość łączna drgań (suma wektorowa z trzech kierunków) określona zgodnie z normą EN 60745:

Szlifowanie powierzchni

Wartość emitowanych drgań a <sub>r,AG</sub>	10,8 m/s <sup>2</sup>	10,6 m/s <sup>2</sup>
Nieokreśloność K <sub>AG</sub>	1,5 m/s <sup>2</sup>	1,5 m/s <sup>2</sup>

Szlifowanie papierem ściernym

Wartość emitowanych drgań a <sub>r,DS</sub>		<2,5 m/s <sup>2</sup>
Nieokreśloność K <sub>DS</sub>		1,5 m/s <sup>2</sup>

\* Drgania określone zgodnie z p. 6.2.7 normy EN 60745.

Podany w niniejszej instrukcji poziom drgań został zmierzony zgodnie z określoną przez normę EN 60745 procedurą i może być używany do porównywania urządzeń. Może być stosowany do wstępnego określenia ekspozycji.

Deklarowany poziom emisji drgań odnosi się do głównego zastosowania urządzenia. Jeżeli urządzenie zostanie przeznaczone do innych zastosowań, z innym osprzętem lub nie będzie należycie konserwowane, poziom emisji wibracji może się różnić. Może to znacznie zwiększyć poziom ekspozycji w łącznym czasie pracy.

Aby dokładnie określić poziom ekspozycji na drgania, należy także brać pod uwagę okresy gdy urządzenie jest wyłączone, lub gdy nawet jest włączone, ale nie wykorzystywane do pracy. Może to znacznie obniżyć poziom ekspozycji na drgania w łącznym czasie pracy.

Chronić urządzenie oraz osprzęt oraz dbać o zapewnienie ciepła dłoniom podczas pracy w celu obniżenia szkodliwego wpływu drgań.

Inne zastosowania takie jak cięcie lub szcztokowanie mogą mieć inne wartości emisji drgań.

Pył z takich materiałów jak np. farba zawierająca ołów, niektóre gatunki drewna, minerały oraz metal może być szkodliwy. Kontakt lub inhalacja pyłów może spowodować reakcje alergiczne i/lub choroby układu oddechowego u operatora lub osób znajdujących się w bezpośredniej bliskości.

Pewne odmiany pyłów sklasyfikowane są jako rakotwórcze np. pył dębowy czy bukowy w szczególności w połączeniu z dodatkami zawierającymi chromaty i środki konserwujące. Materiały zawierające azbest mogą być obrabiane jedynie przez specjalistów.

- Tam gdzie możliwe jest stosowanie odciągu pyłów należy je stosować.
- Miejsce pracy musi być dobrze wentylowane.
- Zaleca się stosowanie maski p.pyłowej lub filtrów klasy P2.

Przestrzegać przepisów krajowych odnośnie obrabianych materiałów.

# Ogólne instrukcje bezpieczeństwa przy pracy z elektronarzędziami



**UWAGA!** Należy zapoznać się z niniejszą ogólną instrukcją bezpieczeństwa oraz całą instrukcją obsługi. *Nie przestrzeganie niniejszych instrukcji może spowodować porażenie prądem, pożar i/lub poważne obrażenia.*

Zachować niniejsze instrukcje na przyszłość.

Określenie „elektonarzędzie” odnosi się zarówno do urządzeń zasilanych z sieci (przewodowych) jak i zasilanych bateriami (bezprowodowych).

## 1) Bezpieczeństwo w miejscu pracy

- Miejsce pracy musi być zawsze dobrze oświetlone i czyste. *Niedoświetlenie oraz nieład mogą być przyczyną wypadków.*
- Nie należy używać urządzenia w obecności palnych płynów, gazów i pyłów. *Podczas pracy urządzenia powstają iskry, które mogą zapalić pyły lub opary.*
- Dzieci i osoby postronne nie powinny znajdować się w miejscu pracy elektronarzędziami. *Brak skupienia może spowodować utratę kontroli nad urządzeniem.*

## 2) Bezpieczeństwo elektryczne

- Wtyczka urządzenia musi pasować do gniazda zasilającego. Nie wolno modyfikować wtyczki w jakikolwiek sposób. Nie stosować żadnych adapterów w przypadku elektronarzędzi wymagających uziemienia. *Nie modyfikowane wtyczki oraz gniazda zasilające redukuje ryzyko porażenia prądem.*
- Unikać kontaktu z uziemionymi przedmiotami takimi jak, rury, grzejniki, piece i lodówki. *Ryzyko porażenia prądem wzrasta gdy ciało użytkownika zostanie uziemione.*
- Nie narażać urządzenia na kontakt z deszczem lub wilgocią. *Woda wnikać do urządzenia zwiększa ryzyko porażenia prądem.*
- Traktować przewód zasilający zgodnie z przeznaczeniem. Nigdy nie stosować przewodu do przenoszenia, przeciągania lub odłączania urządzenia od zasilania.

Chronicznie przewód przed źródłem ciepła, olejami, przedmiotami o ostrych brzegach, ruchomymi częściami urządzeń. *Uszkodzony lub splątany przewód zwiększa ryzyko porażenia prądem.*

- Podczas pracy na zewnątrz należy zawsze stosować odpowiedni przewód przedłużający przystosowany do pracy na zewnątrz. *Stosowanie przewodu przeznaczonego do pracy na zewnątrz zmniejsza ryzyko porażenia prądem.*
- Jeżeli nie ma możliwości uniknięcia pracy elektronarzędziem w wilgotnym środowisku, należy stosować zasilanie wyposażone w wyłącznik różnicowoprądowy. *Stosowanie wyłącznika różnicowoprądowego redukuje ryzyko porażenia prądem.*

## 3) Bezpieczeństwo osobiste

- Zawsze należy pracować w należyłym skupieniu i kierować się rozsądkiem. Nie używać urządzenia będąc zmęczonym lub pozostając pod wpływem narkotyków, alkoholu lub będąc w trakcie leczenia. *Chwila nieuwagi podczas pracy urządzeniem może być przyczyną poważnych uszkodzeń ciała.*
- Stosować wyposażenie ochronne. Zawsze używać ochrony oczu. *Wyposażenie takie jak maska p.pyłowa, buty na podszewie antypoślizgowej, kask, ochronniki słuchu, stosowane w odpowiednich warunkach, redukuje zagrożenie uszkodzenia ciała.*
- Unikać przypadkowego włączenia urządzenia. Upewnić się, że wyłącznik znajduje się w położeniu „wyłączony” przed podłączeniem urządzenia do źródła zasilania lub baterii. *Przenoszenie urządzenia trzymając za wyłącznik lub podłączając je do zasilania z wyłącznikiem w pozycji: „włączone” może być przyczyną wypadków.*
- Usunąć wszelkie klucze przed włączeniem urządzenia. *Pozostawienie klucza w rotującej części urządzenia może spowodować obrażenia ciała.*
- Nie przeceniać własnych możliwości. Zawsze dbać o odpowiednie oparcie dla nóg oraz balans. *Zapewni to lepszą kontrolę w nieoczekiwanych sytuacjach.*
- Stosować odpowiednie ubranie. Nie nosić luźnych ubrań ani biżuterii. Nie zbliżać włosów, ubrania ani rękawic roboczych do ruchomych części urządzenia. *Luźne ubranie, biżuteria lub długie włosy*

mogą utkwic w ruchomych częściach urządzenia.

- g) Jeśli urządzenie jest wyposażone w adapter odprowadzania pyłów, należy sprawdzić czy jest odpowiednio podłączony i używany. Stosowanie systemu odprowadzania pyłów może obniżyć niebezpieczeństwa związane z pyleniem.

#### 4) Używanie i konserwacja urządzenia

- a) Nie przeciążać urządzenia. Stosować odpowiednie urządzenie do każdej pracy. Należy użyć dobrego urządzenia wykona pracę lepiej i bezpieczniej w trybie do jakiego zostało zaprojektowane
- b) Nie używać urządzenia jeśli włącznik nie działa. Każde urządzenie z uszkodzonym włącznikiem jest niebezpieczne i musi zostać naprawione.
- c) Zawsze należy odłączyć urządzenie od zasilania lub odłączyć baterie przed zmianą ustawień, wymianą akcesoriów lub odłożeniem po pracy. Takie działanie zmniejszy ryzyko przypadkowego włączenia urządzenia.
- d) Nieużywane urządzenie należy chronić przed dziećmi oraz nie zezwalać niepowołanym osobom nie znającym tego urządzenia lub niniejszej instrukcji na pracę tym urządzeniem. Elektronarzędzia są niebezpieczne w rękach nieprzeszkolonych osób.
- e) Konserwować elektronarzędzia. Sprawdzając połączenia części ruchomych, ewentualne uszkodzenia oraz inne czynniki mogące mieć wpływ na działanie urządzenia. W przypadku stwierdzenia uszkodzenia należy naprawić urządzenie przed dalszym użytkowaniem. Wiele wypadków spowodowanych jest nienależytą konserwacją urządzenia.
- f) Narzędzia tnące zawsze muszą być ostre. Odpowiednio konserwowane narzędzia tnące z ostrymi krawędziami rzadziej się zacinają w obrabianym materiale i są łatwiejsze w obsłudze.
- g) Niniejsze urządzenie oraz osprzęt do niego muszą być używane zgodnie z niniejszą instrukcją obsługi oraz w zakresie przewidzianym dla danego typu urządzenia. Zawsze należy brać pod uwagę rodzaj pracy do wykonania oraz warunki panujące w miejscu pracy. Użycie elektronarzędzi do celów innych niż opisane w niniejszej instrukcji obsługi może spowodować niebezpieczne sytuacje.

#### 5) Serwis

- a) Niniejsze urządzenie należy serwisować wyłącznie w wykwalifikowanych serwisach z wykorzystaniem oryginalnych części zamiennych. Takie postępowanie zapewni należyte bezpieczeństwo elektronarzędzia.

## Dodatkowe wskazówki przy pracy ze szlifierkami kątowymi

**Ogólne wskazówki bezpieczeństwa przy szlifowaniu tarczą ścierną, szlifowaniu papierem ściernym, szczotkowaniu szczotką drucianą, polerowanie i cięcie tarczą ścierną:**

- a) Niniejsze elektronarzędzie można używać jako szlifierki z tarczą ścierną, papierem ściernym, szczotką drucianą, polerki i maszyny do cięcia z tarczą ścierną. Przeczytaj wszystkie wskazówki bezpieczeństwa, instrukcje, rysunki i dane, które otrzymałeś razem z maszyną. Nieprzestrzeganie wskazówek bezpieczeństwa może spowodować porażenie prądem, pożar i/lub poważne skaleczenie.
- b) Niniejsze elektronarzędzie nie nadaje się do polerowania. Operacje, do których elektronarzędzie nie jest przeznaczone mogą spowodować niebezpieczeństwo i skaleczenie. (M 750 HD Compact)
- c) Nie stosować osprzętu, który nie został specjalnie zaprojektowany i zalecony przez producenta urządzenia. Sam fakt możliwości przyłączenia osprzętu do urządzenia nie zapewnia bezpiecznego użytkowania.
- d) Określona prędkość obrotowa osprzętu musi być conajmniej równa maksymalnej prędkości określonej na urządzeniu. Osprzęt obracający się szybciej od określonej na nim prędkości może pęknąć i rozpaść się.
- e) Zewnętrzna średnica oraz grubość osprzętu musi zawierać się w zakresie przeznaczonym dla danego urządzenia. Niewłaściwie dobrany pod względem rozmiarów osprzęt nie może być należycie kontrolowany i chroniony.

- f) Narzędzia robocze z wkładką gwintowaną muszą dokładnie pasować na gwint na wrzecionie. W przypadku narzędzi roboczych, mocowanych przy użyciu kołnierza średnica otworu narzędzia roboczego musi być dopasowana do średnicy kołnierza. *Narzędzia robocze, które nie mogą być dokładnie osadzone na elektronarzędziu, obracają się nierównomiernie, bardzo mocno wibrują i mogą spowodować utratę kontroli nad elektronarzędziem.*
- g) Nie używać uszkodzonego osprzętu. Przed każdym użyciem sprawdzać osprzęt: tarcze ścierne pod względem pęknięć i wyszczerbień, podkładki pod względem pęknięć, uszkodzeń gwintu lub nadmiernego zużycia, szczotki druciane pod względem poluzowanych i pękniętych drutów. W przypadku upuszczenia urządzenia lub osprzętu, sprawdzić pod względem uszkodzeń lub zastosować nieuszkodzony osprzęt. Po sprawdzeniu i zamocowaniu osprzętu, ustawić się oraz ew. inne osoby poza zasięgiem płaszczyzny obracającego się osprzętu i włączyć urządzenie z maksymalną prędkością na minutę. *W przypadku uszkodzenia, osprzęt powinien się rozpaść podczas tej próby testowej.*
- h) Stosować wyposażenie ochronne. W zależności od wykonywanych czynności używać osłonę twarzy, okulary ochronne. W zależności od potrzeb stosować maskę p. pyłową, ochronniki słuchu, rękawice oraz fartuch roboczy zdolne zatrzymać małe cząstki powstające w czasie pracy. *Ochrona wzroku powinna móc zatrzymać odpadki powstające przy różnego rodzaju pracach. Maskę p. pyłową musi zapewnić filtrację cząsteczek powstających podczas pracy. Długa ekspozycja na intensywny hałas może spowodować uszkodzenie słuchu.*
- i) Osoby towarzyszące powinny znajdować się w bezpiecznej odległości od miejsca pracy. Każda osoba znajdująca się w miejscu pracy powinna stosować wyposażenie ochronne. *Fragmenty obrabianego materiału lub uszkodzonego osprzętu mogą spowodować obrażenia także poza bezpośrednim miejscem pracy.*
- j) Podczas prac, przy których elektronarzędzie mogłyby natrafić na ukryte przewody elektryczne lub na własny przewód, należy je trzymać tylko za izo-
- lowaną rękojęść. Pod wpływem kontaktu osprzętu z przewodami będącymi pod napięciem, wszystkie części metalowe elektronarzędzia mogą również znaleźć się pod napięciem i spowodować porażenie prądem operatora.*
- k) **Chronić przewód przed obracającym się osprzętem.** *W wypadku utraty kontroli, przewód może zostać przecięty lub zaczepiony i wciągnięty wraz z ręką operatora do obracającego się osprzętu.*
- l) **Nigdy nie odkładać urządzenia przed całkowitym zatrzymaniem się osprzętu.** *Obracający się osprzęt może zahaczyć się o podłoże i spowodować utratę kontroli.*
- m) **Nie przenosić włączonego urządzenia.** *Przypadkowy kontakt z obracającym się osprzętem może spowodować wkręcenie się w ubranie i uszkodzenie ciała.*
- n) **Regularnie oczyszczać otwory wentylacyjne urządzenia.** *Zbytne nagromadzenie pyłów wewnątrz obudowy może spowodować zagrożenie.*
- o) **Nie używać urządzenia w pobliżu materiałów łatwopalnych.** *Iskry mogą spowodować zapłon.*
- p) **Nie stosować osprzętu wymagającego chłodzenia cieczą.** *Stosowanie wody lub innych płynów chłodzących może spowodować porażenie prądem.*
- **Urządzenie może być stosowane wyłącznie zgodnie z przeznaczeniem.** *Każde zastosowanie inne niż opisane w niniejszej instrukcji będzie traktowane jako niezgodne z przeznaczeniem. Użytkownik, a nie producent będzie odpowiedzialny za wszelkie uszkodzenia lub obrażenia wynikłe z użycia niezgodnego z przeznaczeniem.*
  - **Producent wyklucza wszelką odpowiedzialność w przypadku dokonania jakichkolwiek zmian w urządzeniu przez użytkownika oraz uszkodzeń wynikłych z tych zmian.**
  - **Podczas pracy w zapyłonym środowisku, należy dbać o czystość otworów wentylacyjnych.** *W przypadku konieczności oczyszczenia pyłu, należy w pierwszej kolejności odłączyć urządzenie od zasilania (do usuwania pyłu należy stosować przyrządy niemetaliczne) oraz dbać o nieuszkodzenie części wewnętrznych. Urządzenie ulegnie przegrzaniu w wyniku osłabienia chłodzenia spowodowanego zablokowaniem otworów wentylacyjnych.*

## Dalsze instrukcje bezpieczeństwa do wszystkich zastosowań.

Odbicie urządzenia w wyniku blokady osprzętu w obrabianym materiale i związane z tym zagrożenia.

Odbicie urządzenia występuje w wyniku zakleszczenia lub zablokowania obracającej się tarczy, podkładek, szczerok lub innych akcesoriów w obrabianym materiale. Zablokowanie powoduje gwałtowne zatrzymanie obracającego się osprzętu co sprawia, że urządzenie w sposób niekontrolowany gwałtownie obróci się w kierunku przeciwnym do obrotów osprzętu.

Na przykład, jeśli tarcza zahaczy się lub zablokuje w obrabianym materiale, krawędź zablokowanej tarczy zagłębiając się w materiale może spowodować, że tarcza "wyskoczy" lub odbije się. Tarcza może wyskoczyć w stronę do operatora lub od operatora w zależności od kierunku ruchu w momencie zablokowania. Tarcze ściernie mogą w takich warunkach także pęknąć.

Odbicie urządzenia jest wynikiem błędnego zastosowania i/lub niepoprawnej obsługi i można go uniknąć stosując zalecenia opisane poniżej.

- a) **Mocno trzymać urządzenie i zachować pozycję ciała pozwalającą kontrolować siły odbicia. Zawsze używać uchwytu dodatkowego co zapewni maksymalną kontrolę w przypadku odbicia lub reakcji bezwładnościowej podczas rozruchu.** *Jeśli zostaną zastosowane odpowiednie środki zapobiegawcze operator jest w stanie kontrolować siły reakcji bezwładnościowej podczas rozruchu lub odbicia.*
- b) **Nigdy nie zbliżać dłoni do rotującego osprzętu.** *Akcesoria mogą niespodziewanie odbić w stronę zbliżonej dłoni.*
- c) **Nie ustawiać się w pozycji w kierunku której występuje prawdopodobieństwo odbicia urządzenia.** *Odbicie spowoduje obrót urządzenia w kierunku przeciwnym do obrotu tarczy w miejscu zablokowania.*
- d) **Ze szczególną ostrożnością obrabiać narożniki, ostre krawędzie itp. Unikać odbijania i blokowania osprzętu.** *Narożniki, ostre krawędzie ułatwiają zablokowanie osprzętu co może spowodować utratę kontroli lub odbicie urządzenia.*
- e) **Nie stosować tarcz z łańcuchem do cięcia drewna ani zębatych tarcz tnących.** *Takie tarcze powodują częste zagrożenie odbiciem i utratą kontroli nad urządzeniem.*
  - **Mocować obrabiany detal w imadle lub w inny odpowiedni sposób.**

## Specjalne wskazówki bezpieczeństwa przy szlifowaniu oraz cięciu:

- a) **Używać wyłącznie zalecanych do danego urządzenia typów tarcz oraz odpowiedniej osłony.** *Tarcze inne niż przeznaczone do danego modelu nie są odpowiednio chronione i są niebezpieczne.*
- b) **Tarcze szlifierskie wygięte należy mocować w taki sposób, aby ich powierzchnia szlifująca nie wystawała poza krawędź pokrywy ochronnej.** *Niefachowo osadzona tarcza szlifierska, wystająca poza krawędź pokrywy ochronnej nie może być wystarczająco osłonięta.*
- c) **Oslona tarczy musi być mocno dokręcona i ustawiona tak aby jak najmniejsza część odsłoniętej tarczy była skierowana w stronę operatora.** *Oslona tarczy chroni operatora przed ewentualnymi odłamkami tarczy i przypadkowym kontaktem z obracającą się tarczą oraz iskrami, które mogą podpalić ubranie.*
- d) **Należy używać tarczy wyłącznie zgodnie z przeznaczeniem.** *Np. nie wolno szlifować płaszczyzną tarczy przeznaczonej do cięcia. Tarcze ściernie do cięcia przeznaczane są do cięcia obwodowego, siły przykładane z boku mogą spowodować rozpad tych tarcz podczas pracy.*
- e) **Zawsze używać nieuszkodzonych flansz o kształcie i średnicy odpowiadającej dobranej tarczy.** *Poprawnie dobrane flansze dokładnie zabezpieczają tarczę redukując możliwość jej uszkodzenia. Flansze tarcz do cięcia mogą się różnić od flansz tarcz do szlifowania.*
- f) **Nie stosować zużytych tarcz od większych urządzeń.** *Tarcza przeznaczona do większych urządzeń nie jest przystosowana do większych prędkości obrotowych mniejszych urządzeń i może się rozpaść.*
  - **Zawsze zwracać uwagę na kierunek obrotu tarczy.** *Reakcja bezwładnościowa jest skierowana przeciwnie do kierunku obrotów w miejscu zablokowania i może spowodować utratę kontroli nad urządzeniem.*
  - **Urządzenie należy zawsze prowadzić w taki sposób aby iskry oraz pył były kierowane od ciała operatora.** *Niniejsze urządzenia powodują powstawanie isker, które mogą przypalić ubrania lub oparzyć nieosłonięte części ciała.*
  - **Nie wolno szlifować ani ciąć świeżo malowanych struktur metalowych zanim**



farba całkowicie wyschnie. Występuje ryzyko zapalenia mokrej farby.

- Nie wolno ciąć materiałów łatwopalnych (drewno, plastik, itp.) ani struktur paneLOWYCH z łatwopalnym wypełnieniem. Występuje ryzyko wzniesienia pożaru.
- Nie wolno szlifować ani ciąć wyposażenia znajdującego się pod ciśnieniem. Występuje ryzyko wybuchu.
- Nie wolno, bez podjęcia specjalnych kroków zapobiegających zapłonowi lub wybuchowi, szlifować ani ciąć zbiorników, rurociągów, wyposażenia, itp. zawierających obecnie lub w przeszłości substancje łatwopalne. Występuje ryzyko pożaru lub eksplozji.

#### **Dodatkowe instrukcje bezpieczeństwa podczas cięcia tarczami ściernymi:**

- a) Nie blokować ani nie stosować zbyt silnego nacisku na tarczę tnącą. Nie wykonywać zbyt głębokich cięć. Zbyt duży nacisk na tarczę zwiększa obciążenie urządzenia oraz podatność na wygięcie lub zablokowanie tarczy w materiale. Zwiększa się także możliwość odbicia lub pęknięcia tarczy.
- b) Nie ustawiać się w jednej linii z płaszczyzną obracającej się tarczy. W wypadku gdy tarcza obraca się w kierunku od operatora, w przypadku zablokowania tarczy, urządzenie "odbije" się w stronę użytkownika.
- c) W przypadku zacięcia się tarczy lub potrzeby przerwania cięcia, należy wyłączyć urządzenie i trzymać nieruchomo do momentu całkowitego zatrzymania. Ze względu na niebezpieczeństwo odbicia, nie wolno wyjmować obracającej się tarczy z naciętego materiału. Podczas cięcia, sprawdzać i korygować położenie tarczy w celu wyeliminowania zablokowania jej w otworze.
- d) Nie wznawiać cięcia z tarczą w wyciętej szczelinie. Uruchomić urządzenie i na pełnych obrotach wprowadzić ponownie do nacięcia. Tarcza może się zablokować, wysunąć lub odbić jeśli uruchomi się urządzenie w obrabianym materiale.
- e) Ustawiać panele oraz wszystkie duże materiały na podporach, tak aby zminimalizować ryzyko odbicia lub zablokowania tarczy. Duże elementy uginają się pod własną wagą. Podpory należy umieścić pod obrabianym materiałem w pobliżu linii cięcia oraz po obu stronach tarczy przy

krawędziach materiału.

- f) Zachować szczególną ostrożność przy nacięciach w ścianach lub innych nieprzeźroczystych miejscach. Tarcza może napotkać i przeciąć przewody gazowe lub wodne, elektryczne lub inne mogące spowodować odbicie.

#### **Dodatkowe instrukcje bezpieczeństwa podczas szlifowania papierami ściernymi:**

- a) Nie stosować tarcz papieru ściernego o zbyt dużej średnicy. Przestrzegać zaleceń producenta odnośnie doboru papieru ściernego. Zbyt duży papier wystający poza podkładkę szlifującą grozi skaleczeniem i może spowodować zahaczenie, rozdarcie lub odbicie urządzenia.

#### **Specyficzne instrukcje bezpieczeństwa podczas polerowania:**

- a) Nie dopuszczać swobodnego obracania rozluźnionych części futerału z wełny lub mocującego sznura. Wsunąć je do futerału lub przymocować swobodne końcówki sznura mocującego. Rozluźnione obracające się sznury służące do mocowania mogą się wplątać między palce lub zahaczyć o detal.

#### **Instrukcje bezpieczeństwa podczas pracy szczotką drucianą:**

- a) Należy być świadomym, że nawet podczas normalnej pracy, pojedyncze druty mogą odpadać od szczotki. Nie przeciążać szczotek poprzez zbyt mocny nacisk. Elementy szczotki z łatwością mogą przebić lekkie ubranie i/lub skórę.
- b) W przypadku zalecenia pracy z ostoną, należy dbać o to aby nie doszło do jej kontaktu ze szczotką. Tarcza lub szczotka z drutu może zwiększać swoją średnicę ze względu na obciążenia oraz siłę odśrodkową.

## **Zapoznanie się z elektronarzędziem**

Przed przystąpieniem do pracy elektronarzędziem należy zapoznać się z wszystkimi operacyjnymi specyfikacjami i warunkami bezpieczeństwa.

Używać elektronarzędzia i jego osprzętu tylko zgodnie z ich przeznaczeniem. Każde inne za-

stosowanie jest stanowczo zakazane.

1. Wrzeciono
- 2.1 Ośłona tarczy szlifowania
- 2.2 Ośłona tarczy tnącej
3. Kołnierz oporowy
- 4.1 Tarcza do szlifowania (Używać wyłącznie z osłoną tarczy do szlifowania!)\*
- 4.2 Tarcza tnąca (Używać wyłącznie z osłoną tarczy tnącej!)\*
5. Kołnierz mocujący
6. Uchwyt dodatkowy
7. Wyłącznik
8. Regulator elektroniczny obrotów (M 750E HD Compact)
9. Przycisk do blokowania wrzeciona

## **OSPRZĘT WSPÓŁPRACUJĄCY Z NI-NIEJSZYM URZĄDZENIEM**

10. Szczotka druciana\*
11. Plastikowa (gumowa) podkładka\*
12. Arkusz papieru ściernego lub futerał do polerowania\*
13. Specjalna nakrętka\*

\* Ukazane na ilustracjach lub opisane w tekście akcesoria nie są zawarte w dostawie.

## **Wskazówki pracy**

Niniejsze elektronarzędzia są zasilane wyłącznie jednofazowym prądem zmiennym. Są podwójnie izolowane zgodnie z normami EN 60745, IEC 60745-1 i mogą być zasilane z uziemnionych bądź niezziemnionych źródeł. Tłumienie zakłóceń radiowych zgodnie z dyrektywą EMC. Urządzenie jest przeznaczone do cięcia, żdźnierania i szcztokowania głównie metali bez zastosowania wody.

### **PRZED PRZYSTĄPIENIEM DO PRACY**

- Urządzenie może być wyposażone fabrycznie w osłonę. Upewnić się, że osłona została zamontowana prawidłowo i dokładnie ustawiona przed pierwszym i każdym kolejnym uruchomieniem.
- Urządzenie może być wyposażone fabrycznie w tarczę. Upewnić się, że tarcza została zamontowana prawidłowo i dokładnie dokręcona przed pierwszym i każdym kolejnym uruchomieniem.
- Upewnić się czy źródło zasilania odpowiada wartościom podanym na tabliczce znamionowej z danymi technicznymi urządzenia.
- Zawsze sprawdzać pozycję wyłącznika. Urządzenie wolno podłączyć do źródła zasilania dopiero wtedy gdy włącznik/wyłącznik znajduje się w pozycji "Wyłączone".

Urządzenie zostanie podłączone do gniazda gdy włącznik/wyłącznik znajduje się w pozycji "Włączone" to natychmiast rozpocznie pracę, co może spowodować poważny wypadek.

- Sprawdzać czy przewód i wtyczka nie są uszkodzone. Jeśli konieczna jest wymiana przewodu, aby uniknąć niebezpieczeństwa należy tego dokonać w autoryzowanym serwisie producenta.



**UWAGA!** Zawsze urządzenie wyłączyć i wtyczkę odłączyć od gniazda zasilania przed każdą regulacją oraz wykonaniem jakichkolwiek prac serwisowych i konserwacyjnych bądź przy zaniku napięcia zasilania.

- Używając diamentowych tarcz tnących, należy zwrócić uwagę, by strzałka wskazująca kierunek, umieszczona na tarczy odpowiadała kierunkowi obrotów elektronarzędzia (por. strzałkę wskazującą kierunek obrotu, umieszczoną na głowicy elektronarzędzia).
- Sprawdzić czy średnica oraz grubość tarczy nie przekracza wartości podanych na tabliczce znamionowej. Prędkość obwodowa wskazana na tarczy nie może być niższa niż 80 m/s. Tarcze należy przechowywać zgodnie z zaleceniami producenta.
- W przypadku pracy w miejscu odległym od źródła zasilania, należy stosować możliwie najkrótszy przewód przedłużający o odpowiednim przekroju.
- Sprawdzić czy uchwyt dodatkowy jest poprawnie zamontowany i odpowiednio dokręcony.

### **WŁĄCZANIE-WYŁĄCZANIE**

**Włączanie:** Suwak wyłącznika 7 nacisnąć na tylną część, następnie przesunąć do przodu w kierunku strzałki, aż jego przednia część wpadnie i zostanie zablokowana.

**Wyłączenie:** Tylny wzniesiony koniec wyłącznika 7 wcisnąć i pozostawić by samorzutnie wrócił do tyłu w pozycji wyjściowej.

### **REGULACJA ELEKTRONICZNA OBROTÓW (M 750E HD Compact)**

Nie jest zalecana przedłużająca się praca przy obniżonych obrotach: M 750E HD Compact.

Obracając regulatorem elektronicznym 8, znajdującym się na tylnej części maszyny do szlifowania, obroty regulują się płynnie. Zalecane



pozycje regulatora elektronicznego w różnych zastosowaniach ukazano na poniżej:

#### **Zakres zastosowania      Pozycja regulatora**

- |   |              |
|---|--------------|
| 1. Szlifowanie tworzyw sztucznych tarczą plastikową i papierem ściernym | <b>A - C</b> |
| 2. Szlifowanie drewna oraz czyszczenie powłoki lakieru lub farby        | <b>B - D</b> |
| 3. Szlifowanie metalu tarczą plastikową i papierem ściernym             | <b>C - F</b> |
| 4. Usuwanie rdzy szczotką metalową                                      | <b>D - F</b> |
| 5. Zgrubne oczyszczanie, cięcie metalu lub kamienia                     | <b>G</b>     |
| 6. Polerowanie tarczą plastikową i futerałem do polerowania             | <b>A - B</b> |

Modele M 750E HD Compact mają elektronikę pełnozakresową do:

- płynnego uruchomienia i ograniczenia prądu rozruchu;
- doboru wstępnego i regulacji obrotów.

### **OSŁONA TARCZY**



**UWAGA:** Osłona 2.1 do tarczy szlifowania lub osłona 2.2 do tarczy tnącej (odpowiednio do tarczy szlifowania 4.1 lub tarczy tnącej 4.2) musi być zawsze zamontowana na urządzeniu!

Pozycja osłony jest różna w zależności od strony ustawienia dodatkowego uchwytu przy zamontowaniu urządzenia do stojaka.

### **WYMIANA TARCZY**

Wrzeciono 1 szlifierki blokuje się wciskając przycisk 9 znajdujący się na obudowie przekładni urządzenia.



**UWAGA:** Nie wolno wciskać przycisku 9 przy obracającym się wrzecionie.

(Przy wciśniętym przycisku wrzeciono obraca się do wyraźnego wpadnięcia). Mocujący kołnierzyk 5 odkręcić specjalnym kluczem. Nową tarczę ustawić na kołnierzyk oporowy 3 napisami do góry, a kołnierzyk mocujący 5 zakręcić płaską stroną do tarczy, posługując się specjalnym kluczem. Stosować należy papierowe krążki podkładowe, jeżeli je dostarczono wraz z tarczą. Po wymianie tarczy, uruchomić maszynę wraz z nową tarczą przez około minutę bez żadnego obciążenia. Wibrujące lub nierównomiernie obracające się tarcze należy niezwłocznie wymienić. Szczotkę metalową 10 nakręca się bezpośrednio na

wrzeciono 1 za pomocą klucza maszynowego. (Sprawdzić, czy długość gwintu szczotki jest wystarczająco długa by obiać gwint wrzeciona..

Szlifowanie papierem ściernym oraz polerowanie wykonywane są tarczą plastikową (gumową) 11, pod którą zakłada się arkusz papieru ściernego do polerowania 12. Tarczę plastikową 11 zakłada się na kołnierzyk oporowy 3 i przykręca specjalną nakrętką 13, którą znajduje się na wyposażeniu. W razie zastosowania tarczy roboczej z założonym kołnierzykiem, należy ją przykręcić wprost do wrzeciona bez stosowania kołnierzyka mocującego 5, przy pomocy klucza maszynowego. Tarcza z założonym kołnierzykiem może być wykonana z gąbki zawierającej żywicę, może być tarczą piano poliuretanową z nośną wkładką plastikową, do której włożono nakrętkę, a polerujący arkusz papieru ściernego lub filc wełniany mocuje się do tarczy piano poliuretanowej za pomocą systemu przyklejającego. Po wymianie tarczy plastikowej (gumowej) maszynę uruchomić i pozostawić by popracowała wraz z nową tarczą około jednej minuty bez obciążenia. Wibrujące lub nierównomiernie obracające się tarcze należy niezwłocznie wymienić.

### **WSKAZÓWKI MONTAŻU OSŁONY**

Przed wykonaniem następujących czynności urządzenie należy wyłączyć z sieci zasilania, wyjmując wtyczkę.

Zakładanie osłony (rys.1)

- Obrócić czarny pierścień plastikowy (rys. 2), tak by szczelina S pierścienia pokryła się z wycięciem, do którego wpada ząb dźwigni zamykającej L.

- Obrócić osłonę w pozycji nieroboczej (Rys.2) tak by cztery zęby zbiegły się z czterema nacięciami w gnieździe łożyska (Rys.3).

- Wcisnąć osłonę w dół i obrócić zgodnie z ruchem wskazówek zegara do wymaganej pozycji roboczej i zamocować osłonę za pomocą dźwigni L.

Obrót osłony w nowej pozycji roboczej

- Obracać osłonę tarczy zgodnie z ruchem wskazówek zegara tylko do osiągnięcia pozycji roboczej i zamocować osłonę za pomocą dźwigni L.

Zdejmowanie osłony

- Obrócić osłonę tarczy w pozycji nieroboczej (Rys.3) tak aby cztery zęby zbiegły się z wcięciami w gnieździe łożyska a następnie ją zdjąć (Rys.2).

## UCHWYT DODATKOWY

Uchwyt dodatkowy 6 montuje się przeważnie z lewej strony urządzenia. Można go także umieścić po prawej stronie, jeżeli tak jest wygodniej operatorowi.

## OBRÓT OBUDOWY URZĄDZENIA

Obudową urządzenia można obrócić o 90° lub 180°. Pierwsza pozycja jest stosowana, gdy maszyna jest użytkowana przeważnie do cięcia, a druga pozycja, gdy operator posługuje się lepiej lewą ręką. W obu przypadkach obracanie obudowy powinien przeprowadzić uprawniony serwis do napraw ręcznych narzędzi elektrycznych SPARKY.

## ZALECENIA

Przy pracy tarczą tnącą nie wywierać nacisku, nie poruszać tarczy poprzecznie do linii cięcia. Stosować umiarkowany nacisk w zależności od obrabianego materiału.

Istotne znaczenie ma kierunek cięcia. Maszynę należy przesuwac w kierunku odwrotnym do obracania się tarczy. W przeciwnym razie, istnieje zagrożenie, by tarcza w sposób niekontrolowany wyskoczyła z nacięcia.

Przy cięciu kształtowników i rur o przekroju prostokątnym zaleca się cięcie rozpocząć z najmniejszej strony. Przy szlifowaniu nie dociskać urządzenia do obrabianej powierzchni, przesuwać urządzenie płynnie do przodu i do tyłu. Lekkie metale obrabiane są specjalnymi tarczami. Najlepszy rezultat przy zgrubnym szlifowaniu uzyskuje się przy nachyleniu 30° - 40° między tarczą a obrabianą powierzchnią. Przy zgrubnym szlifowaniu nie są stosowane tarcze tnące. Stosowanie tarcz o grubości powyżej 6 mm jest zalecane.

## Konserwacja



**UWAGA:** Zawsze wyłączać elektroniczne urządzenie, wyjmować wtyczkę z gniazda przed dokonaniem czynności z zakresu sprawdzenia lub konserwacji.

## WYMIANA SZCZOTEK

Po zużyciu szczotek, parę szczotek należy wymienić razem na oryginalne szczotki w serwisie SPARKY.

## SPRAWDZENIE OGÓLN

Sprawdzać regularnie wszystkie elementy mocujące i upewnić się czy zostały mocno dokręcone. W przypadku rozluźnienia jakiegos wkrętu należy go natychmiast dokręcić, w celu uniknięcia sytuacji ryzykownych.

W razie uszkodzenia kabla zasilania, jego wymiana powinna być przeprowadzona przez producenta lub jego serwisowego specjalistę dla uniknięcia ewentualnych zagrożeń przy wymianie.

Dla bezpiecznej pracy utrzymywać maszynę i otwory wentylacyjne zawsze w stanie czystości. Sprawdzać regularnie czy w otwory wentylacyjne blisko silnika elektrycznego lub koło przełączników nie przedostał się pył lub obce ciała. Używać miękkiego pędzla do usunięcia nagromadzonego pyłu. W celu ochrony oczu podczas czyszczenia stosować okulary ochronne.

W razie konieczności czyszczenia korpusu maszyny, wytrzeć go miękką zwilżoną ścierką. Można użyć łagodnego preparatu do mycia.

## CZYSZCZENIE

Zawsze utrzymywać urządzenie i otwory wentylacyjne w czystości.

Regularnie sprawdzać otwory wentylacyjne i miejsca wokół włącznika. Za pomocą miękkiej szczotki lub sprężonego powietrza usuwać zebrany pył. Podczas czyszczenia stosować ochronę oczu.

W razie konieczności, zewnętrzne części plastikowe mogą być czyszczone wilgotną szmatką z łagodnym detergentem.

Podczas pracy w środowisku szczególnie zapyłonym (obróbka kamienia) należy otwory wentylacyjne oczyszczać po każdym dniu pracy (co 8 godzin) przedmuchiując sprężonym powietrzem lub ostukując delikatnie w pobliżu otworów wentylacyjnych za pomocą niemetalowego przedmiotu. Podczas oczyszczania urządzenie powinno być włączone bez obciążenia (Rys.6a, 6b).



**UWAGA!** Nigdy nie stosować alkoholu, benzyny ani innych środków czyszczących. Nigdy nie używać substancji żrących do czyszczenia części plastikowych.



**UWAGA!** Nie dopuszczać do kontaktu urządzenia z wodą.

**WAŻNE!** Aby zapewnić bezpieczeństwo i niezawodność urządzenia, naprawy, konserwacje i regulacje (łącznie z kontrolą i wymianą szczotek) powinny być przeprowadzane w autoryzowanych serwisach z zastosowaniem oryginalnych części zamiennych.

## Gwarancja

---

Okres gwarancji elektronarzędzi SPARKY jest określony w karcie gwarancyjnej produktu.

Usterki spowodowane normalnym zużyciem, przeciążeniem lub niewłaściwą obsługą, nie podlegają gwarancji.

Uszkodzenia wynikłe z wady materiałowej lub błędów produkcyjnych zostaną usunięte bezpłatnie w drodze naprawy lub wymiany urządzenia.

Reklamacje uszkodzonych urządzeń SPARKY zostaną rozpatrzone jeśli zostaną dostarczone w stanie w jakim stwierdzono wadę, nie rozmontowane, wraz z dokumentem zakupu i kartą gwarancyjną do autoryzowanego serwisu lub punktu sprzedaży.

## Informacja

---

Przed użyciem należy dokładnie przeczytać niniejszą instrukcję.

Narzędzia SPARKY są stale ulepszane w związku z tym otrzymany produkt może nieznacznie różnić się od tego ukazanego w niniejszej instrukcji. Producent zapewnia sobie prawo do wprowadzania zmian bez uprzedzenia.

Specyfikacja może się różnić w zależności od kraju.

# Содержание

Введение .....	86
Технические данные .....	88
Общие указания по технике безопасности при работе с электроинструментами .....	89
Дополнительные указания по работе с углошлифовальными машинами .....	91
Знакомство с электроинструментом .....	A/95
Указания по работе .....	B/95
Поддержка .....	97
Гарантия .....	99

## РАСПАКОВКА

В соответствие с общепринятыми технологиями крупносерийного производства, почти не существует риска поломки Вашего электроинструмента, или отсутствия какой-либо из его частей. Если вы все же установите повреждение, не используйте электроинструмент до тех пор, пока дефектная часть не будет заменена, а неисправность - устранена. Нарушение этой рекомендации может привести к серьезному трудовому инциденту.

## СБОРКА

Углошлифовальная машина поставляется в упаковке, в полностью собранном виде, за исключением предохранителя и дополнительной рукоятки.

## Введение

Новоприобретенный Вами электроинструмент SPARKY превзойдет Ваши ожидания. Его производство подчиняется высоким стандартам качества SPARKY, отвечающим строгим требованиям потребителя. Удобный для обслуживания и безопасный в эксплуатации, этот электроинструмент при правильном употреблении будет служить безотказно долгие годы.

## ПРЕДОСТЕРЕЖЕНИЕ!



Прочтите внимательно и целиком инструкцию по эксплуатации перед использованием новоприобретенного электроинструмента SPARKY. Обратите специальное внимание на параграфы, обозначенным словом "Предостережение". У Вашего электроинструмента SPARKY много качеств, которые облегчают работу. При разработке этого инструмента основное внимание было направлено на безопасность, эксплуатационные качества и надежность, которые облегчают его обслуживание и эксплуатацию.



### **Не выбрасывать электроинструменты вместе с бытовыми отбросами!**

Отбросы электрических изделий нельзя собирать вместе с бытовыми отбросами. Они должны быть рециклированы на местах, предназначенных специально для этих целей. Просим обратиться к местным властям или к нашему представителю для получения информации насчет рециклирования.

## ЗАЩИТА ОКРУЖАЮЩЕЙ СРЕДЫ



Для предохранения окружающей среды электроинструменты, принадлежности и упаковки должны быть переработаны подходящим образом для повторно использования содержащихся в них материалов. Для облегчения процесса рециклирования детали, сделанные из искусственных материалов, обозначены соответствующим способом.

## ОПИСАНИЕ СИМВОЛОВ

На табличке с данными электроинструмента нанесены специальные символы, содержащие важную информацию о продукте или инструкции по использованию.



Двойная изоляция для дополнительной защиты.



Присоединительная резьба шпинделя M14.



Соответствует релевантным европейским директивам.



Соответствует требованиям правил Таможенного союза.



Соответствует требованиям украинским нормативным документам.



Ознакомьтесь с инструкцией по эксплуатации.



Всегда надевайте защитные очки.

YYYY-Www    Период производства, где переменные символы означают:  
YYYY - год производства,  
ww – очередная календарная неделя.

M                Углошлифовальная машина.

# Технические данные

Модель	M750 HD Compact	M750E HD Compact
Потребляемая мощность	750 W	750 W
Номинальное число оборотов	10500 min <sup>-1</sup>	3500-10500 min <sup>-1</sup>
Соединительная резьба шпинделя	M14	M14
Длина резьбы шпинделя	20 mm	20 mm
Внутренний диаметр шлифовального диска	22,23 mm	22,23 mm
Максимальный диаметр шлифовального диска	125 mm	125 mm
Максимальная толщина шлифовального диска	6 mm	6 mm
Вес (ЕРТА процедура 01/2014)	1,8 kg	1,9 kg
Класс защиты (EN 60745-1) 	II	II

## ИНФОРМАЦИЯ О ШУМЕ И ВИБРАЦИЯХ

Показатели замерены согласно EN 60745.

### Уровень выделяемого шума

A-взвешенный уровень звуковой нагрузки L <sub>рА</sub>	86 dB(A)	85 dB(A)
Неопределенность K <sub>рА</sub>	3 dB(A)	3 dB(A)
A- взвешенный уровень звуковой мощности L <sub>вА</sub>	97 dB(A)	96 dB(A)
Неопределенность K <sub>вА</sub>	3 dB(A)	3 dB(A)

### Используйте средства для защиты от шума!

#### Уровень вибрации \*

Общий уровень вибраций (сумма векторов по трем осям), определенная согласно EN 60745:

Шлифование поверхностей		
Показатель вибраций a <sub>рАГ</sub>	10,8 m/s <sup>2</sup>	10,6 m/s <sup>2</sup>
Неопределенность K <sub>АГ</sub>	1,5 m/s <sup>2</sup>	1,5 m/s <sup>2</sup>
Шлифование наждачной бумагой		
Показатель вибраций a <sub>рДС</sub>		<2,5 m/s <sup>2</sup>
Неопределенность K <sub>ДС</sub>		1,5 m/s <sup>2</sup>

\* Уровень Вибраций определен согласно п. 6.2.7 EN 60745.

Указанный в настоящую инструкцию уровень вибраций измерен в соответствии с установленную EN 60745 методику испытаний и может использоваться для сравнения электроинструментов. Уровень вибраций может использоваться для предварительной оценки воздействия.

Указанный уровень вибраций дан при условии использования инструмента по его прямому назначению. В тех случаях, когда электроинструмент используется для других целей, с другими принадлежностями, уровень вибраций может отличаться от указанного. В этих случаях уровень воздействия может значительно возрасти в рамках общего периода работы.

Для точной оценки воздействия вибраций во время определенного периода работы необходимо учитывать промежутки времени, в которые электроинструмент выключен, либо хотя и включен, но фактически не используется. Это может существенно сократить воздействия вибраций в течение всего периода работы.

Сохраняйте электроинструмент и его принадлежности в хорошем состоянии. Во время работы старайтесь сохранять руки теплыми - это поможет уменьшить вредное воздействие при работе с повышенной вибрацией.

При других операциях, например распилу абразивным диском или зачистке проволочными щетками, уровень вибраций может отличаться от представленных замеров.

Пыль материалов, как с краски с содержанием свинца, некоторых сортов древесины, минералов и металла может быть вредной для здоровья. Прикосновение к пыли и попадание пыли в дыхательные пути может вызвать аллергические реакции и/или заболевания дыхательных путей оператора или находящегося вблизи персонала.

Определенные виды пыли, как из дуба и бука, считаются канцерогенными, особенно, совместно с присадками для обработки древесины (хромат, средство для защиты древесины). Материал с содержанием асбеста разрешается обрабатывать только специалистам.

- По возможности применяйте отсос пыли.
  - Следите за хорошей вентиляцией.
  - Рекомендуется пользоваться дыхательной защитной маской с фильтром класса P2.
- Соблюдайте действующие в Вашей стране предписания для обрабатываемых материалов.

## Общие указания по безопасности при работе с электроинструментами



**ПРЕДОСТЕРЕЖЕНИЕ!** Прочитайте все предупреждения и указания по безопасности. Несоблюдение предупреждений и указаний по безопасности может привести к поражению электрическим током, от пожара и/или серьезные ранения.

Сохраните все предупреждения и указания для дальнейшего использования.

Термин “электроинструмент” во всех указанных ниже предупреждениях касается вашего электроинструмента, с питанием от сети (с кабелем) и/или электроинструмент с питанием от аккумуляторной батареи (без кабеля).

### 1) Безопасность рабочего места

- а) Содержите рабочее место в чистоте и хорошо освещенным. Беспорядок и недостаточное освещение являются предпосылками трудовых инцидентов.
- б) Не работайте с электроинструментами во взрывоопасной атмосфере при наличии воспламеняющихся жидкостей, газов или пыли. Электроинструменты создают искры, которые могут воспламенить пыль или пары.
- в) Держите детей и посторонних лиц на расстоянии, когда работаете с электроинструментом. Рассеивание может привести к потере контроля с Вашей стороны.

### 2) Электрическая безопасность

- а) Штепселя электроинструментов должны соответствовать контактным гнездам. Никогда не меняйте штепсель каким-либо способом. Не используйте какие-либо адаптерные

штепселя для электроинструментов с защитным заземлением. Использование оригинальных штепселей и соответствующим им контактов уменьшает риск от удара электрическим током.

- б) Избегайте соприкосновения тела с землей или с заземленными поверхностями, такими как трубы, радиаторы, кухонные плиты и холодильники. Если ваше тело заземлено, существует повышенный риск поражения электрическим током.
  - в) Не оставляйте электроинструменты под дождем или во влажной среде. Проникновение воды в электроинструменты повышает риск от поражения электрическим током.
  - г) Используйте кабель по назначению. Никогда не используйте кабель для переноса электроинструмента, натягивания или отключения штепселя из контактного гнезда. Держите кабель далеко от тепла, масла, острых углов или движущихся частей. Поврежденные или запутанные кабели повышают риск от поражений электрическим током.
  - д) Во время наружной работы с электроинструментом используйте удлинитель, подходящий для этих целей. Использование удлинителя, предназначенного для внешних /наружных/ работ, уменьшает опасность от поражения электрическим током.
  - е) В случае, если работа с электроинструментом во влажной среде неизбежна, используйте предохранительное устройство, которое задействовано от остаточного тока для прерывания подачи тока. Использование предохранительного устройства уменьшает риск от поражения электрическим током.
- ### 3) Личная безопасность
- а) Будьте бдительны, работайте с повышенным вниманием и проявляйте благоразумие, когда работаете с электроинструментом. Не используйте электроинструмент, когда вы устали



или находитесь под влиянием наркотиков, алкоголя или медикаментов. Момент невнимания при работе с электроинструментом может привести к серьезной производственной травме.

- b) **Используйте индивидуальные средства защиты.** Носите всегда защитные очки. Индивидуальные средства защиты, такие как маска против пыли, нескользящая обувь, защитный шлем или средства для защиты слуха, используемые в конкретных условиях, снижают риск от производственных травм.
  - c) **Избегайте невольного пуска инструмента.** Убедитесь, что выключатель находится в положение „выключено“ перед включением к источнику питания и/или аккумуляторной батарее перед тем, как его возьмете в руки или переносите. Ношение электроинструмента с пальцем на выключателе или подключение к источнику питания электроинструмента с выключателем во включенном положении является предпосылкой для производственной травмы.
  - d) **Удалите каждый ключ для затягивания или гаечный ключ перед включением электроинструмента.** Ключ для затягивания или гаечный ключ, прикрепленный к вращающейся части электроинструмента, может привести к трудовому инциденту.
  - e) **Не перетягивайтесь.** Поддерживайте правильное положение и равновесие в течение всей работы. Это позволит лучше управлять электроинструментом при неожиданных ситуациях.
  - f) **Носите подходящую рабочую одежду.** Не носите широкую одежду или украшения. Держите свои волосы, одежду и перчатки далеко от движущихся частей. Широкая одежда, бижутерия или длинные волосы могут попасть в движущиеся части.
  - g) **Если электроинструмент снабжен приспособлением для пыли, убедитесь, что они правильно установлены и правильно используются.** Использование этих устройств может снизить связанные с пылью опасности.
- 4) Эксплуатация и уход за электроинструментами**
- a) **Не перегружайте электроинструмент.** Используйте правильно выбранный электроинструмент согласно его пред-

назначению. Правильно подобранный электроинструмент работает лучше и безопасней для объявленного режима работы, для которого он спроектирован.

- b) **Не используйте электроинструмент в случае, если выключатель не переключается во включенное и исключенное положение.** Каждый электроинструмент, который не может управляться с помощью его выключателя, опасен и подлежит ремонту.
- c) **Отключите штепсель от электросети перед тем, как начать любые настройки, перед заменой принадлежностей или перед тем, как убрать электроинструмент для хранения.** Эти меры предосторожности снижают риск невольного пуска электроинструмента.
- d) **Сохраняйте неиспользованные электроинструменты в местах, недоступных для детей и не позволяйте обслуживающему персоналу, который не знаком с электроинструментом или инструкциями по эксплуатации, работать с ним.** Электроинструменты являются опасными в руках необученных потребителей.
- e) **Проверяйте электроинструменты.** Проверяйте, работают ли нормально и движутся ли свободно движущиеся части, находятся ли в целости и исправности части, а также проверьте все прочие обстоятельства, которые могут неблагоприятно повлиять на работу электроинструмента. Если он поврежден, электроинструмент необходимо отремонтировать перед его дальнейшим использованием. Много инцидентов причиняются от плохо обслуженных электроинструментов.
- f) **Поддерживайте режущие инструменты острыми и чистыми.** Правильно поддерживаемые режущие инструменты с острыми режущими углами реже блокируются и проще управляются.
- g) **Используйте электроинструмент, принадлежности и части инструмента и т.д. в соответствии с этими инструкциями и способом, предусмотренным для конкретного типа электроинструмента, имея в виду рабочие условия и работу, которую необходимо выполнять.** Использование электроинструмента для работы не по предна-

значению может привести к опасной ситуации.

#### 5) Обслуживание

- a) Ремонтуйте ваш электроинструмент у квалифицированного специалиста по ремонту, при этом используйте только оригинальные запасные части. Это обеспечивает сохранение безопасности электроинструмента.

## Дополнительные указания по работе с углошлифовальными машинами

Общие указания безопасности по шлифованию абразивным диском, шлифованию наждачной бумагой, чистке с проволочными щетками, полированию и резке абразивным диском:

- a) Настоящий электроинструмент может использоваться в качестве шлифовальной машины с абразивным диском, с наждачной бумагой, с проволочными щетками, полировальной машины и машины для нарезки с абразивным диском. Прочитайте внимательно все указания по безопасности, инструкции, иллюстрации и данные, которые Вы получили с электроинструментом. Несоблюдение указаний по безопасности может привести к поражению электрическим током, возникновению пожара и/или получению серьезных травм.
- b) Настоящий электроинструмент не пригоден для полирования. Выполнение работ, для которых настоящий электроинструмент не предусмотрен, может стать причиной опасностей и травм. (M 750 HD Compact)
- c) Не пользуйтесь принадлежностями, которые не разрешены и не рекомендуются производителем специально для данного электроинструмента. Возможность крепления принадлежности к Вашему электроинструменту, не гарантирует безопасного применения.
- d) Допустимое число оборотов принадлежности должно быть не менее

указанного на электроинструменте максимального числа оборотов. Принадлежности, которые вращаются со скоростью, превышающей их номинальную скорость, могут разбиться и разлететься в пространстве.

- e) Наружный диаметр и толщина рабочего инструмента должны быть не менее указанных размеров Вашего электроинструмента. Принадлежности с неподходящими размерами не могут быть защищены или контролироваться в достаточной степени.
- f) Сменные рабочие инструменты с резьбой должны точно подходить к резьбе шлифовального шпинделя. В сменных рабочих инструментах, монтируемых с помощью фланца, диаметр отверстий рабочего инструмента должен подходить к диаметру отверстий во фланце. Сменные рабочие инструменты, которые не точно крепятся на электроинструменте, вращаются неравномерно, очень сильно вибрируют и могут выйти из-под контроля.
- g) Не применяйте поврежденные принадлежности. Перед каждым использованием проверяйте принадлежности - шлифовальные диски на зазубрины и трещины, эластичные диски на трещины, разрывы или сильный износ, проволочные щетки на незакрепленные или поломанные проволоки. При случайном падении электроинструмента или принадлежности, проверяйте инструмент на повреждения или установите неповрежденную принадлежность. После проверки и установки принадлежности, Вы и находящиеся вблизи лица, займите место за пределами плоскости вращения принадлежности и оставьте электроинструмент поработать на максимальных оборотах на холостом ходу в течение одной минуты. Обычно этого времени достаточно для того, чтобы поврежденные принадлежности сломались.
- h) Применяйте средства индивидуальной защиты. В зависимости от конкретного случая, пользуйтесь защитным щитком для лица или защитными очками. В случае необходимости используйте противопылевой респиратор, средства защиты слуха,

защитные печатки или специальный халат, который задерживает мелкие частицы от шлифовальной принадлежности или обрабатываемой детали. Средства для защиты глаз должны защищать их от различных летящих предметов, возникающих при различных операциях. Противопылевой респиратор и газозащитные маски органов дыхания должны задерживать при работе пыль. Продолжительное воздействие сильного шума может привести к потере слуха.

- i) Следите за тем, чтобы все лица находились на безопасном расстоянии от Вашего рабочего участка. Каждое лицо, находящееся в пределах рабочего участка, должно носить средства индивидуальной защиты. Летящие осколки от обрабатываемых деталей или от сломанной принадлежности могут отлететь в сторону и причинить травму даже за пределами непосредственного рабочего участка.
- j) В случае потенциальной возможности касания режущей принадлежности до скрытой электропроводки или до собственного питающего шнура, держите электроинструмент только за изолированные поверхности рукояток. Контакт принадлежности с токоведущим проводом ставит под напряжение также открытые металлические части электроинструмента и может привести к поражению оператора электрическим током.
- k) Держите шнур подключения питания в стороне от вращающейся принадлежности. Если Вы потеряете контроль над электроинструментом, то шнур может быть порезан или захвачен вращающейся частью и Ваша кисть может попасть под вращающийся инструмент.
- l) Никогда не выпускайте электроинструмент из рук, пока принадлежность полностью не прекратит вращаться. Вращающаяся принадлежность может задевать обрабатываемый материал и в результате Вы потеряете контроль над электроинструментом.
- m) Выключайте электроинструмент при транспортировке. Ваша одежда может быть случайно захвачена принадлежностью, что может нанести Вам травму.
- n) Регулярно очищайте вентиляцион-

ные отверстия электроинструмента. Вентилятор электродвигателя засасывает пыль в корпус, а чрезмерное скопление металлической пыли может привести к опасности от поражения электрическим током.

- o) Не пользуйтесь электроинструментом вблизи горючих материалов. Искры могут воспламенить эти материалы.
- p) Не применяйте принадлежности, работа с которыми требует использование охлаждающих жидкостей. Применение воды или других охлаждающих жидкостей может привести к поражению или удару электрическим током.
  - Электроинструмент следует использовать только по назначению. Любое другое применение, отличающееся от указанного в данной инструкции, считается неправильным применением. Ответственность за любое повреждение или ранение, вызванное неправильным употреблением, несет потребитель, а не производитель.
  - Производитель не несет ответственность в случае внесенных потребителем в электроинструмент изменений или за повреждения, вызванные такими изменениями.
  - При работе в пыльной среде вентиляционные отверстия машины следует поддерживать в чистоте. Если необходимо удалить пыль, вначале следует отключить электропитание. Удалять пыль следует неметаллическими предметами для чистки пыли, предохраняя внутренние детали машины от повреждений. Электроинструмент будет перегреваться при нарушении охлаждения вследствие пыльных вентиляционных отверстий.

## Другие указания по безопасности всех операций

**Обратный удар (отскок) и связанные с ним указания по безопасности**

Обратный удар - это внезапная реакция, являющаяся следствием заклинивания или блокировки принадлежности, например шлифовального диска, эластичного диска, проволочной щетки и т.п. Заклинивание или блокировка водит до внезапной остановки вращения принадлежности, которое со своей стороны выталкивает неконтролируемый

электроинструмент в сторону, противоположную направлению вращения рабочего инструмента в точке заклинивания.

Например, если шлифовальный диск заклинит или блокирует в деталь (заготовку) то погруженная в заготовку кромка шлифовального диска застревает, вследствие чего диск может сломаться или спровоцировать отскок. Шлифовальный диск отскакивает к оператору или от него, в зависимости от направления вращения диска в месте блокировки. В этом случае шлифовальные диски могут сломаться.

Обратный удар является следствием неправильного использования и/или неправильной эксплуатации или условий работы с электроинструментом, и может быть предотвращен благодаря нижеописанным мерам предосторожности.

- a) **Держите крепко электроинструмент, примите подходящую позу и поставьте руки таким образом, чтоб Вы смогли противодействовать силе обратного удара. Всегда используйте дополнительную рукоятку при ее наличии, чтобы как можно лучше противодействовать и осуществлять контроль над силой отскока или реактивным моментом при запуске. Благодаря правильным мерам предосторожности оператор может овладеть реактивным моментом и отскоком.**
- b) **Ваши руки никогда не должны быть вблизи вращающейся принадлежности. Принадлежность может отскочить и попасть на Ваши руки.**
- c) **Держитесь в стороне от участка, в котором электроинструмент может двигаться при обратном ударе. Отскок ведет электроинструмент в направлении, противоположное движению шлифовального диска в месте блокировки.**
- d) **При обработке углов, острых кромок и проч., работайте с повышенным вниманием. Не позволяйте принадлежности отскакивать или блокировать деталь. При обработке углов и острых кромок имеется вероятность заклинивания вращающейся принадлежности, что может причинить потерю контроля или отскок.**
- e) **Не используйте цепные или циркулярные диски для обработки древесины. Данные принадлежности часто являются причиной отскока или потери контроля над электроинструмен-**

том.

- **Фиксируйте положение обрабатываемой детали в тисках или иным подходящим способом.**

### **Специальные указания по безопасности по шлифованию и резанию абразивным диском**

- a) **Используйте только рекомендованные для данного электроинструмента диски с предвиденным для них предохранителем. Диски, не предусмотренные для данного электроинструмента, не могут быть достаточно экранированы и небезопасны.**
- b) **Изогнутые шлифовальные круги необходимо монтировать таким образом, чтобы их шлифовальная поверхность не выступала за край защитного кожуха. Неправильно монтированный шлифовальный круг, выступающий за край защитного кожуха, не прикрывается достаточным образом.**
- c) **Защитный кожух должен закрепляться надежно к электроинструменту и настроен так, чтобы обеспечивать максимальную безопасность, т.е. в сторону оператора должна быть открыта как можно меньшая часть диска. Защитный кожух должен защищать оператора от осколков, случайного контакта с диском и искр, которые смогли бы поджечь одежду.**
- d) **Диски необходимо применять только для рекомендуемых работ. Например, никогда не шлифуйте боковой поверхностью отрезного диска. Отрезные диски предназначены для съема материала по кромке диска. Боковое давление на такой диск может привести к его поломке.**
- e) **Всегда применяйте неповрежденные затягивающие фланцы с подходящими размерами и формой для выбранного диска. Правильно выбранные затягивающие фланцы закрепляют диск и уменьшают вероятность его поломки. Затягивающие фланцы для отрезных дисков могут различаться от затягивающих фланцев для других видов дисков.**
- f) **Не используйте изношенные диски, предназначенные для электроинструментов более крупных габаритов. Диск для больших электроинструментов не подходит для более высоких**

скоростей малых электроинструментов и может сломаться.

- **Всегда соблюдайте направление движения диска.** Реактивная сила действует в противоположном вращению направлении в месте шлифовки или резки, и является предпосылкой потери контроля над электроинструментом.
- **Удерживайте машину таким образом, чтобы искры и пыль при шлифовке отскакивали в сторону от вас.** Электроинструменты образуют искры, которые могут прожечь одежду или незащищенные части тела.
- **Не допускается шлифовка и резка свежеекрасочных металлических конструкций с невысохшей краской.** Существует опасность воспламенения невысохшей краски.
- **Не допускается резка горимых материалов (дерева, пластмассы и пр.), а также панельных конструкций типа “сэндвич”, наполненных возгораемым наполнителем.** Существует опасность возникновения пожара.
- **Не допускается шлифовка и резка сооружений, работающих под давлением.** Существует опасность возникновения эксплозии.
- **Не допускается шлифовка и резка резервуаров, трубопроводов, аппаратов и др., в которых имеются, или имелись возгораемые или легко воспламеняемые вещества и материалы, без предварительных специальных мер противопожарной и взрывоопасной безопасности.** Существует опасность возникновения пожара или эксплозии.

### Специальные указания по безопасности при резке с абразивным диском

- a) Избегайте заклинивания отрезного диска или чрезмерного давления на него. Не пытайтесь выполнять слишком глубокие резы. Перегрузка отрезного диска увеличивает возможность его изнашивания и склонность к перекосу или блокировке, а оттуда - и возможность обратного удара (отскока) или поломки диска.
- b) **Не стойте в участке перед и за вращающимся диском.** Если отрезной диск в месте резки отдалается от Ваше-

го тела, то в случае обратного удара электроинструмент с вращающимся диском может отскочить прямо на Вас.

- c) При заклинивании отрезного диска или по какой-либо причине Вам пришлось прекратить работу, выключите электроинструмент и держите его неподвижно до полного окончания вращения диска. Никогда не пытайтесь вынуть еще вращающийся диск из разреза, так как это может привести к обратному удару. Установите и отстраните причину заклинивания.
- d) Никогда не включайте повторно электроинструмент, до тех пор, пока отрезной диск находится еще в заготовке. Дайте отрезному диску достичь полного числа оборотов перед тем, как внимательно продолжите резание. В противном случае диск может засесть, выскочить из детали или отскочить.
- e) Плиты или детали с большими размерами необходимо подстраховать дополнительными опорами в целях уменьшения опасности заклинивания и обратного удара. Детали больших размеров могут провисать под тяжестью собственного веса. Деталь должна лежать на опорах с двух сторон диска, как вблизи разреза, так и по краям детали.
- f) Будьте особенно осторожны при выполнении резов с „погружением” в существующие стены или другие непросматриваемые (замурованные) участки. Погружающийся внутрь диск может порезать газопроводные или водопроводные трубы, электрическую проводку или другие объекты, что может привести к обратному удару.

### Специальные указания по безопасности при шлифовании наждачной бумагой

- a) Не применяйте шлифовальные листы чрезмерно больших размеров, соблюдайте указания производителя о размерах наждачной бумаги. Шлифовальный лист, который выступает за край эластичного диска, может разорваться и тем самым привести к блокировке, разрыву листа или отскоку.



## Специальные указания по безопасности при полировании:

- a) Не допускайте, чтобы свободные части от пылесборника из шерсти или закрепляющий шнур могли свободно вращаться. Приберите в пылесборник /мешочек для пыли/ или затяните свободные концы закрепляющего шнура. Свободно висящие шнуры для закрепления пылесборника могут обмотать Ваши руки или зацепиться за деталь.

## Специальные указания по безопасности при работе с проволочными щетками:

- a) Имейте в виду, что даже при нормальной работе с проволочных щеток падает проволока. Не перегружайте проволоку чрезмерным усилием прижатия. Отлетающие куски проволоки легко проникают через тонкую одежду и/или кожу.
- b) Если при работе с проволочной щеткой рекомендуется использовать защитный кожух, не допускайте соприкосновения кожаной с дисковой (тарельчатой) или чашечной щеткой. Тарельчатые или чашечные проволочные щетки могут увеличивать свой диаметр под воздействием усилия прижатия и центробежных сил.

## Знакомство с электроинструментом

До начала работы, ознакомьтесь со всеми оперативными особенностями электроинструмента и условиями техники безопасности. Используйте электроинструмента и его принадлежности только по назначению. Любое другое приложение категорически запрещено

1. Шпиндель
- 2.1. Предохранитель для шлифовального диска
- 2.2. Предохранитель для отрезного диска\*
3. Опорный фланец
- 4.1. Шлифовальный диск (Использовать только вместе с предохранителем для шлифовального диска!)\*
- 4.2. Отрезной диск (Использовать только вместе с предохранителем для отрезного диска!)\*

5. Зажимный фланец
6. Дополнительная рукоятка
7. Выключатель
8. Электронный регулятор скорости вращения (M 750E HD Compact)
9. Стопор шпинделя

## ПРИНАДЛЕЖНОСТИ, КОТОРЫЕ МОГУТ ИСПОЛЬЗОВАТЬСЯ НА ЭТОМ ЭЛЕКТРОИНСТРУМЕНТЕ

10. Металлическая щетка\*
11. Пластмассовый (резиновый) диск\*
12. Лист шкурки или полировальный чехол\*
13. Гайка специальная\*

\* Изображенные на рисунках или описанные в тексте дополнительные аксессуары не поставляются вместе с инструментом.

## Указания по работе

Эти электроинструменты подключаются только в однофазное непостоянное напряжение. Имеют двойную изоляцию согласно EN 60745 и IEC 60745-1 и могут подключаться к контактам без защитных клемм. Радиопомехи соответствуют Директивы Европейского парламента и Совета относительно электромагнитной совместимости. Этот электроинструмент предназначен для резки, шлифовки и чистки металлов без использования воды.

## ДО НАЧАЛА РАБОТ

- Машина может быть оснащена предохранителем фабрично. Убедитесь, что предохранитель установлен правильно и надежно зафиксирован перед первым и каждым последующим использованием.
- Машина может быть оснащена диском фабрично. Убедитесь, что диск установлен правильно и надежно зафиксирован перед первым и каждым последующим использованием
- Проверьте соответствие напряжения электросети с обозначенными на табличке техническими данными электроинструмента.
- Проверьте положение выключателя. Электроинструмент следует подключать и отключать от сети питания только при выключенном выключателе. Если вставить штепсель в розетку при выключенном выключателе, электроинструмент немедленно приводится в действие, что может привести к ранению.

- Убедитесь в исправности кабеля питания и штепселя. Если кабель поврежден, во избежание возможных рисков, его замену осуществляет только производитель или его сервисный специалист.



**ПРЕДОСТЕРЕЖЕНИЕ:** Всегда отключайте электроинструмент и вынимайте штепсель из розетки перед тем, как приступить к любой настройке, обслуживанию или поддерживанию, а также в случае отсутствия электрического напряжения.

- При применении алмазных отрезных кругов следите за тем, чтобы стрелка направления вращения на алмазном отрезном круге соответствовала направлению вращения электроинструмента (см. стрелку на редукторной головке).
- Проверьте соответствие диаметра и толщины диска указанным техническим данным. Обозначенные на диске допустимые показатели периферийной скорости не должны быть ниже 80 м/с. Диски следует хранить согласно инструкциям производителя.
- Если зона работ удалена от источника питания, используйте наиболее короткий возможный удлинитель с подходящим сечением.
- Проверьте правильность и надежность монтажа дополнительной рукоятки.

## ПУСК - ОСТАНОВКА

- Пуск: Ползун выключателя 7 нажимается в задней части и после этого перемещается вперед по направлению стрелки до момента, пока его передняя часть не попадет в углубление и не застынет.

- Останов: Задний, приподнятый край ползуна 7 нажимается и оставляется самостоятельно вернуться в исходное положение.

## ЭЛЕКТРОННОЕ РЕГУЛИРОВАНИЕ СКОРОСТИ ВРАЩЕНИЯ (М 750E HD Compact)

Не рекомендуется продолжительная работа на пониженных оборотах со следующими машинами: М 750E HD Compact.

Вращением электронного регулятора 8, расположенного на задней стороне шлифовальной электроинструмента, плавно регулируется скорость вращения. Рекомендации о положении регулятора в зависимости от обрабатываемого материала указаны в сле-

дующей таблице:

Область применения	Положение регулятора
1. Шлифовка пластмасс пластмассовым диском и шкуркой	<b>A - C</b>
2. Шлифовка дерева и очистка лакокрасочных покрытий	<b>B - D</b>
3. Шлифовка металла пластмассовым диском и шкуркой	<b>C - F</b>
4. Очистка ржавчины металлической щеткой	<b>D - F</b>
5. Грубая очистка, резка металла или камня	<b>G</b>
6. Полировка пластмассовым диском и мешочком для полирования	<b>A - B</b>

Модели М 750E HD Compact оснащены двуполупериодной электроникой для:

- Плавного пуска и ограничения пускового тока;
- предварительной настройки скорости вращения и регулирования числа оборотов;

## ЗАЩИТНЫЙ КОЖУХ



**ПРЕДОСТЕРЕЖЕНИЕ:** Предохранитель 2.1 для шлифовального диска, или предохранитель 2.2 для отрезного диска (соответственно, для шлифовального диска 4.1 или для отрезного диска 4.2) должен быть всегда монтирован на инструменте!

Положение кожуха зависит от того, с какой стороны находится дополнительная рукоятка.

## СМЕНА ДИСКА

Шпиндель 1 шлифовальной машины фиксируется нажатием кнопки 9, расположенной на редукторной коробке машины.



**ПРЕДОСТЕРЕЖЕНИЕ:** Не допускается нажатие кнопки 9 во время вращения шпинделя.

(При нажатой кнопке шпиндель поворачивается до отчетливого утопания.) Зажимный фланец 5 открчивается специальным ключом. Новый диск устанавливается на опорном фланце 3 лицевой стороной вверх, а фланец 5 завинчивается плоской стороной к диску специальным ключом. Применяйте бумажные подставные шайбы, если диск ими укомплектован. После смены диска необходимо проверить работу углошлифовальной машины на холостом ходу в течение одной минуты. При вибрации или биениях следует



немедленно поменять диск. Металлические щетки 10 привинчиваются непосредственно к шпинделю 1 с помощью гаечного ключа. (Проверьте соответствует ли длина резьбы щеточной насадки глубине резьбовой посадки шпинделя.)

Шлифовка шкуркой и полировка осуществляются посредством пластмассового (каучукового) диска 11, на который предназначенная для полировки шкурка 12 надевается в виде чехла. Пластмассовый диск 11 устанавливается на опорном фланце 3 и притягивается специальной гайкой 13, входящей в комплект изделия. При использовании диска со вставным фланцем, его посаживают непосредственно на шпиндель, без затяжной гайки 5, с помощью гаечного ключа. Диск со вставным фланцем может быть изготовлен из смолосодержащей губки, пенополиуретана с несущим пластмассовым вкладышем с гайкой, причем собственно полировальный лист шкурки или войлока крепят к диску с помощью системы "липучки". После замены диска запустите инструмент поработать вхолостую на минутку, без нагрузки. Вибрирующие или неравномерно вращающиеся диски следует тут же заменить.

## УКАЗАНИЯ ПО МОНТАЖУ ЗАЩИТНОГО КОЖУХА

Перед выполнением следующих операций штепсель должен быть выключен из электросети.

### Установка защитного кожуха (Рис. 1)

- Поверните черное пластмассовое кольцо (рис. 2) так, чтобы прорезь S кольца совпала с прорезью, в которую попадает зубец рычага L.

- Установите защитный кожух в нерабочее положение (Рис.2) так, чтобы четыре фиксирующих зубца вошли в пазы гнезда подшипника (Рис.3).

- Поверните защитный кожух только по часовой стрелке в требуемое рабочее положение, в котором кожух защитный заблокируется рычагом блокировки L..

### Установка кожуха в новом рабочем положении

- Поверните защитный кожух только по часовой стрелке в требуемое рабочее положение, в котором кожух защитный заблокируется рычагом блокировки L..

### Демонтаж кожуха

- Поверните защитный кожух в нерабочее положение (Рис.3) так, чтобы четыре

фиксирующих зубца вошли в пазы гнезда подшипника (Рис.2) и вытащите его наверх.

## ДОПОЛНИТЕЛЬНАЯ РУКОЯТКА

Обычно дополнительная рукоятка 6 устанавливается с левой стороны углошлифовальной машины. Ее можно поставить и с правой стороны, если так удобнее работать.

## РАЗВОРОТ КОРПУСА

Корпус углошлифовальной машины можно развернуть на 90 или 180 градусов. Первое положение в основном нужно при резке, а второе, когда работающий хорошо владеет левой рукой. В обоих случаях это должно быть сделано в сервисном центре для электроинструмента SPARKY.

## РЕКОМЕНДАЦИИ

Во время резки не упражняйтесь натиск и не перемещайте диск поперек разреза. Применяйте умеренный натиск, соответствующий обрабатываемому материалу.

Соблюдайте направление резки. Машину следует направлять в сторону, обратную вращению диска. В противном случае существует опасность неконтролируемого выхода диска за рамки разреза.

При резке профилей и труб с прямоугольным сечением, рекомендуется начинать резку с наименьшей стороны.

При шлифовке не прижимайте машину к обрабатываемой поверхности, двигайте диск плавно вперед-назад. Легкие металлы следует обрабатывать специальными дисками. Наилучший результат при грубой шлифовке достигается при 30° - 40-градусном наклоне между диском и обрабатываемой поверхностью. При грубой шлифовке не допускается использование дисков для резки. Использование дисков толщиной более 6 мм не рекомендуется.

## Обслуживание



**ПРЕДОСТЕРЕЖЕНИЕ:** Всегда выключайте электроинструмент и вынимайте штепсель из розетки перед тем, как приступить к любой проверке или обслуживанию.

## ЗАМЕНА ЩЕТОК

В случае изнашивания, щетки следует одновременно заменить на новые оригинальные щетки в сервисе SPARKY (гарантийный и вне-гарантийный ремонт).

## ОБЩАЯ ПРОВЕРКА

Регулярно проводите проверку всей креплений - они должны быть крепко затянуты. В случае, если какой-либо винт откручен, его следует немедленно закрутить во избежание опасности.

В случае повреждения кабеля питания, его замену должен произвести изготовитель или его сервисный специалист, во избежание опасности.

## УХОД

Для обеспечения безопасной работы всегда поддерживайте в чистоте и машину, и ее вентиляционные отверстия.

Регулярно проверяйте вентиляционные отверстия электродвигателя или переключателей на наличие пыли или чужеродных тел. Используйте мягкую щетку и/или струю воздуха для удалений пыли. Во избежание повреждения глаз, во время ухода за устройством пользуйтесь защитными очками.

Если корпус машины загрязнен, протрите его мягкой влажной салфеткой. Можно использовать слабый моющий препарат.

При работе в сильно запыленной среде (резка камня) необходимо после каждой рабочей смены (каждые 8 ч работы) чистить вентиляционные отверстия и переключатель при машине на холостом ходу с помощью сжатого воздуха или легкого постукивания неметаллическом предмете около вентиляционных отверстий (Рис. 6а, 6б).



**ПРЕДОСТЕРЕЖЕНИЕ:** Не допускается употребление спирта, бензина и прочих растворителей. Никогда не пользуйтесь разъедающими препаратами для чистки пластмассовых частей



**ПРЕДОСТЕРЕЖЕНИЕ:** Не допускается попадание и контакт устройства с водой.

**ВАЖНО!** В целях обеспечения безопасности работы электроинструмента и его надежности, все ремонтные работы, обслуживание и

регулировку устройства (включительно проверку и замену щеток) следует проводить в специализированных сервисах SPARKY, используя исключительно оригинальные запасные части.

## Гарантия

---

Гарантийный срок электроинструментов SPARKY указан в гарантийной карте.

Неисправности, появившиеся в результате естественного изнашивания, перегрузки или неправильной эксплуатации, не входят в гарантийные обязательства.

Неисправности, появившиеся вследствие применения некачественных материалов и/или из-за производственных ошибок, устраняются без дополнительной оплаты путем замены или ремонта.

Рекламации дефектного электроинструмента SPARKY принимаются в том случае, если машина будет возвращена поставщику, или специализированному гарантийному сервису в не разобранном (первоначальном) состоянии.

## Замечания

---

Внимательно прочтите всю инструкцию по эксплуатации перед тем, как приступить к использованию этого изделия.

Производитель сохраняет за собой право вносить в свои изделия улучшения и изменения, а также изменять спецификации без предупреждения.

Спецификации для разных стран могут различаться.

## Зміст

Введення .....	100
Технічні дані .....	102
Загальні вказівки з безпеки при роботі з електроприладами .....	103
Додаткові вказівки по роботі з кутошліфувальними машинами .....	105
Ознайомлення з електроінструментом .....	A/108
Вказівки щодо роботи .....	B/109
Обслуговування .....	111
Гарантія .....	112

### РОЗПАКУВАННЯ

У відповідності з загальноприйнятими технологіями великосерійного виробництва, майже не існує ризику поломки Вашого електроінструменту, або відсутності будь-якої з його частин. Якщо ви все ж таки встановите пошкодження, не використовуйте електроінструмент до тих пір, поки дефектна частина не буде замінена, а несправність - усунена. Порушення цієї рекомендації може призвести до серйозного трудового інциденту.

### ЗБІРКА

Кутошліфувальна машина постачається в упаковці, у повністю зібраному вигляді, за винятком запобіжника і додаткової рукоятки.

## Введення

Придбаний Вами електроінструмент SPARKY перевершить Ваші очікування. Він зроблений у відповідності до високих стандартів якості SPARKY, що відповідають суворим вимогам споживача. Його легко обслуговувати і він безпечний при експлуатації, при правильному використанні цей електроінструмент буде служити Вам довгі роки.

### ЗАСТЕРЕЖЕННЯ!



Прочитайте уважно і цілком інструкцію з експлуатації, перед використанням новопродбаного електроінструменту SPARKY. Зверніть спеціальну увагу на параграфи, позначених словом "Застереження". У Вашого електроінструменту SPARKY багато якостей, які полегшують роботу. При розробці цього інструменту основну увагу було направлено на безпеку, експлуатаційні якості і надійність, які полегшують його обслуговування і експлуатацію.



#### **Не викидайте електроінструменти разом з побутовими відходами!**

Відходи від електричних виробів не варто збирати разом з побутовими відходами. Будь ласка, викидайте в місцях, призначених для цього. Зв'яжіться з місцевою владою або представником для консультації щодо повторної переробки.

### ОХОРОНА НАВКОЛИШНЬОГО СЕРЕДОВИЩА



З урахуванням охорони навколишнього середовища електроінструмент, належності й упаковка повинні надати відповідній переробці для повторного використання сировини, що міститься в них. Для полегшення повторної переробки деталей, зроблених з штучних матеріалів, вони позначені відповідним чином.

## ОПИС СИМВОЛІВ

Табличка з даними електродріля містить спеціальні символи. Вони є важливою інформацією про використання інструмента та його характеристики.



Подвійна ізоляція для додаткового захисту.



Приєднувальна різьба шпінделя М14.



Відповідає чинним європейським директивам.



Відповідає регламентам Митного союзу.



Відповідає вимогам українських нормативних документів.



Ознайомтеся з інструкцією з експлуатації.




Завжди надягайте захисні окуляри.

YYYY-Www Термін виробництва, де змінними символами є:  
YYYY - рік випуску,  
ww - черговий календарний тиждень.

M Кутошліфувальна машина.

## Технічні дані

Модель	M750 HD Compact	M750E HD Compact
Споживана потужність	750 W	750 W
Номинальна кількість обертів	10500 min <sup>-1</sup>	3500-10500 min <sup>-1</sup>
З'єднувальна різьба шпинделя	M14	M14
Довжина нарізу шпинделя	20 mm	20 mm
Внутрішній діаметр шліфувального диска	22,23 mm	22,23 mm
Максимальний діаметр шліфувального диска	125 mm	125 mm
Максимальна товщина шліфувального диска	6 mm	6 mm
Вага (ЕРТА процедура 01/2014)	1,8 kg	1,9 kg
Клас захисту (EN 60745-1) 	II	II
<b>ІНФОРМАЦІЯ ПРО ШУМ ТА ВІБРАЦІЇ</b>		
Показники заміряні згідно EN 60745.		
<b>Рівень шуму, що виділяється</b>		
А-зважений рівень звукове навантаження L <sub>PA</sub>	86 dB(A)	85 dB(A)
Невизначеність K <sub>PA</sub>	3 dB(A)	3 dB(A)
А-зважений рівень звукової потужності L <sub>WA</sub>	97 dB(A)	96 dB(A)
Невизначеність K <sub>WA</sub>	3 dB(A)	3 dB(A)
<b>Використовуйте засоби для захисту від шуму!</b>		
<b>Рівень вібрацій *</b>		
Загальний рівень вібрацій (сума векторів у трьох напрямках), визначена згідно EN 60745:		
Шліфування поверхонь		
Показник вібрацій a <sub>h,AG</sub>	10,8 m/s <sup>2</sup>	10,6 m/s <sup>2</sup>
Невизначеність K <sub>AG</sub>	1,5 m/s <sup>2</sup>	1,5 m/s <sup>2</sup>
Шліфування наждачним папером		
Показник вібрацій a <sub>h,DS</sub>		<2,5 m/s <sup>2</sup>
Невизначеність K <sub>DS</sub>		1,5 m/s <sup>2</sup>
* Рівень вібрацій визначений згідно п. 6.2.7 EN 60745.		

Вказаний в інструкції рівень вібрацій виміряний відповідно до встановлених EN 60745 методик випробувань, і може використовуватися для порівняння електроінструментів. Рівень вібрацій може використовуватися для попередньої оцінки впливу.

Зазначений рівень вібрацій надано за умови використання інструменту за його прямим призначенням. У тих випадках, коли електроінструмент використовується для інших цілей, з іншими речами, рівень вібрацій може відрізнятися від зазначеного. У цих випадках рівень впливу може значно зрости в рамках загального періоду роботи.

Для точної оцінки впливу вібрацій, під час певного періоду роботи необхідно враховувати проміжки часу, в які електроінструмент вимкнено, або хоча і включений, але фактично не використовується. Це може істотно скоротити вплив вібрацій протягом всього періоду роботи.

Зберігайте електроінструмент і його речі в гарному стані. Під час роботи намагайтеся зберігати руки теплими - це допоможе зменшити шкідливий вплив при роботі з підвищеною вібрацією.

Пил матеріалів, наприклад - фарби з вмістом свинцю, деяких сортів деревини, мінералів і металу може бути шкідливим для здоров'я. Дотик до пилу і потрапляння пилу в дихальні шляхи може викликати алергічні реакції та / або захворювання дихальних шляхів оператора або персоналу, що знаходиться поблизу.

Певні види пилу, наприклад, з дуба та бука, вважаються канцерогенними, особливо, спільно з присадками для обробки деревини (хромат, засіб для захисту деревини, тощо). Матеріал з вмістом азбесту дозволяється обробляти тільки фахівцям.

- По можливості застосовуйте відсмоктування пилу.
- Для досягнення максимально високої ефективності збирання пилу при роботі з даним приладом, використовуйте пиლოსос, призначений для збору пилу з деревини або для пилу з деревини та / або мінерального пилу.
- Слідкуйте за хорошою вентиляцією.

- Рекомендується користуватися дихальною захисною маскою з фільтром класу P2. Дотримуйтесь розпорядження щодо оброблюваних матеріалів, що діють у Вашій країні.

## Загальні вказівки з безпеки при роботі з електроприладами



**ЗАСТЕРЕЖЕННЯ!** Прочитайте всі попередження і вказівки з безпеки. Недодержання попереджень і вказівок з безпеки може призвести до ураження електричним струмом, пожежі та / або важкого поранення.

**Збережіть всі попередження та вказівки для подальшого використання.**

Термін “електроприлад” у всіх зазначених нижче попередженнях стосується вашого електроприладу, з живленням від мережі (з кабелем), та / або електроприладу з живленням від акумуляторної батареї (без кабелю).

### 1) Безпека робочого місця

- а) Утримайте робоче місце в чистоті і добре освітленим. Безлад і недостатнє освітлення є передумовою виникнення трудових інцидентів.
- б) Не працюйте з електроприладами у вибухонебезпечній атмосфері при наявності займистих рідин, газів або пилу. Електроприлади створюють іскри, що можуть займати пил або пари.
- в) Тримайте дітей та сторонніх осіб на відстані, коли працюєте з електроприладом. Розсіювання уваги може призвести до втрати контролю з Вашого боку.

### 2) Електрична безпека

- а) Штепселі електроприладів повинні відповідати контактним гніздам. Ніколи не змінюйте штепсель у будь-який спосіб. Не використовуйте будь-які адаптерні штепселі для електроприладів із захисним заземленням. Використання оригінальних штепселів і відповідних їм контактів зменшує ризик удару електричним струмом.
- б) Уникайте дотику тіла з землею або заземленими поверхнями, такими як труби, радіатори, кухонні плити та

холодильники. Якщо ваше тіло заземлене, існує підвищений ризик ураження електричним струмом.

- в) Не залишайте електроприлади під дощем або у вологому середовищі. Проникнення води в електроприлади підвищує ризик ураження електричним струмом.
- г) Використовуйте кабель за призначенням. Ніколи не використовуйте кабель для перенесення електроприладу, натягування або відключення штепселя з контактної гнізда. Тримайте кабель далеко від тепла, олії, гострих кутів, що рухаються. Пошкоджені або заплутані кабелі підвищують ризик поразок електричним струмом.
- д) Під час зовнішніх робіт використовуйте подовжувач, що підходить для цих цілей. Використання подовжувача, призначеного для зовнішніх робіт, зменшує небезпеку від ураження електричним струмом.
- е) У випадку, якщо робота з електроприладом у вологому середовищі неминуча, використовуйте запобіжний пристрій, який робить на залишковому струмі для переривання подачі струму. Використання запобіжного пристрою зменшує ризик ураження електричним струмом.

### 3) Особиста безпека

- а) Будьте пильні, працюйте з підвищеною увагою і проявляйте розсудливість, коли працюєте з електроприладом. Не використовуйте електроприлад, коли ви стомлені, або під впливом наркотиків, алкоголю, медикаментів, тощо. Одна мить не уваги при роботі з електроприладом може призвести до серйозної виробничої травми.
- б) Використовуйте індивідуальні засоби захисту. Носіть завжди захисні окуляри. Індивідуальні засоби захисту, такі як маска проти пилу, неслизьке взуття, захисний шолом або засоби для захисту слуху, що використовуються в конкретних умовах, знижують ризик виникнення виробничих травм.
- в) Уникайте мимовільного пуску інструменту. Переконайтеся, що вимикач



знаходиться в положенні “вимкнено” перед включенням в джерело живлення та / або акумуляторної батареї, перед тим, візьмете в руки або переносите. Носіння електроприладу з пальцем на вимикачі або підключення до джерела живлення електроінструменту з вимикачем у включеному положенні є передумовою для виробничої травми.

- d) **Видаліть кожен гайковий ключ перед включенням електроприладу.** Ключ для затягування або гайковий ключ, прикріплений до частини електроприладу, що обертається, може призвести до трудового інциденту.
- e) **Не простягайтесь занадто. Підтримуйте правильне положення і рівновагу протягом всієї роботи.** Це дозволить краще керувати електроприладом у несподіваних ситуаціях.
- f) **Носіть придатний одяг. Не носіть широкий одяг або прикраси.** Тримайте своє волосся, одяг і рукавички далеко від рухомих частин. Широкий одяг, біжутерія та довге волосся можуть потрапити в рухомі частини.
- g) **Якщо електроприлад має пристосування для пилу, переконайтеся, що воно правильно встановлено і правильно використовується.** Використання цих пристроїв може знизити пов'язані з пилом небезпеки.

#### 4) Експлуатація і догляд за електроприладами

- a) **Не перевантажуйте електроприлад.** Використовуйте правильно вибраний електроприлад згідно з його призначенням. Правильно підібраний електроприлад працює краще і безпечніше для оголошеного режиму роботи, для якого він спроектований.
- b) **Не використовуйте електроприлад у випадку, якщо вимикач не переходить у включену і виключену позицію.** Кожен електроприлад, який не може управлятися за допомогою вимикача, є небезпечним і підлягає ремонту.
- c) **Вимкніть штепсель від електромережі перед тим, як почати будь-які налаштування, перед заміною приладдя або перед тим, як прибрати електроприлад для зберігання.** Ці запобіжні заходи знижують ризик мимовільного пуску електроприладу.
- d) **Зберігайте невикористані електроприлади в місцях, недоступних для**

дітей, і не дозволяйте користуватися ним обслуговуючому персоналу, який не знайомий з електроприладом або інструкціями з експлуатації. Електроприлади є небезпечними в руках ненавчених споживачів.

- e) **Перевіряйте електроприлади.** Перевіряйте, чи працюють нормально і рухаються вільно рухомі частини, чи знаходяться в цілості і справності усі частини, а також перевіряйте всі інші обставини, які можуть негативно вплинути на роботу електроприладу. У разі ушкоджень електроприлад необхідно відремонтувати перед його подальшим використанням. Багато інцидентів заподіюються у випадку поганого обслуговування електроприладів.
  - f) **Підтримуйте різучі інструменти гострими і чистими.** Правильно підтримані різучі інструменти з гострими кутами рідше блокуються і простіше управляються.
  - g) **Використовуйте електроприлад, приналежності (комплектуючі) і частини інструменту і т.д. відповідно до цих інструкцій та у засіб, передбачений для конкретного типу електроприладу, маючи на увазі робочі умови і роботу, яку необхідно виконувати.** Використання електроприладу для роботи не за призначенням може призвести до небезпечної ситуації.
- #### 5) Технічне обслуговування
- a) **Ремонтуйте ваш електроприлад у кваліфікованого фахівця з ремонту, причому використовуйте тільки оригінальні запасні частини.** Це забезпечує безпеку електроприладу.

## Додаткові вказівки по роботі з кутошліфувальними машинами

Загальні вказівки безпеки по шліфуванню абразивним диском, шліфуванню наждачним папером, чищенню з дротяними щітками, поліруванню і різанню абразивним диском:

- a) Цей електроінструмент може використовуватися в якості шліфувальної машини з абразивним диском, із наждачним папером, із дротяними щітками і машини для нарізання з абразивним диском. Прочитайте уважно всі вказівки з безпеки, інструкції, ілюстрації і дані, які Ви отримали з електроінструментом. *Недотримання вказівок із безпеки може призвести до ураження електричним струмом, виникнення пожежі та/або отримання серйозних травм.*
- b) Цей електроінструмент не придатний для полірування. Виконання робіт, для яких цей електроінструмент не передбачений, може стати причиною небезпек і травм. *(M 750 HD Compact)*
- c) Не використовуйте приладдя, не дозволене і не рекомендоване виробником спеціально для даного електроінструмента. *Можливість кріплення приладдя до Вашого електроінструменту не гарантує безпечного використання.*
- d) Допустима кількість обертів приладдя повинна бути не менше максимального числа обертів, зазначеного на електроінструменті. *Приладдя, що обертається зі швидкістю, що перевищує цю номінальну швидкість, може розбитися і розлетітися навколо.*
- e) Зовнішній діаметр і товщина робочого інструмента повинні бути не менше зазначених розмірів Вашого електроінструменту. *Приладдя з невідповідними розмірами не може бути безпечним або контролюватися у достатній мірі.*
- f) Вставні робочі інструменти з різьбою повинні точно пасувати до різьби шліфувального шпинделя. У вставних робочих інструментах, які монтуються за допомогою фланця, діаметр отвору вставного робочого інструмента пови-

нен пасувати до прийомного діаметра фланця. *Вставні робочі інструменти, що не точно кріпляться на електроінструменті, обертаються нерівномірно, сильно вібрують і можуть призвести до втрати контролю над ними.*

- g) Не використовуйте пошкоджене приладдя. Перед кожним використанням перевіряйте приладдя: шліфувальні диски - на щербини і тріщини, еластичні диски - на тріщини, розриви або сильний знос, дротяні щітки - на незакріплені або поломані дроти. У разі випадкового падіння електроінструменту або приладдя, перевірте інструмент на наявність пошкоджень або встановіть неушкоджене приладдя. Після перевірки й встановлення приладдя, Ви та особи, що знаходяться поблизу, мають зайняти місце за межами площини обертання приладдя і дати електроінструменту попрацювати на максимальних обертах на неробочому ходу протягом однієї хвилини. *Зазвичай цього часу достатньо для того, щоб пошкоджене приладдя зламалося.*
- h) Застосовуйте засоби індивідуального захисту. В залежності від конкретного випадку, користуйтеся захисним щитком для обличчя або захисними окулярами. У разі необхідності використовуйте протипиловий респіратор, засоби захисту слуху, захисні рукавиці або спеціальний халат, який затримує дрібні частинки від шліфувального приладдя або оброблюваної деталі. *Засоби для захисту очей повинні захищати їх від різних предметів, що летять під час виконання різних операцій. Протипиловий респіратор і газозахисні маски органів дихання повинні затримувати пил під час роботи. Тривалий вплив сильного шуму може призвести до втрати слуху.*
- i) Слідкуйте за тим, щоб інші особи перебували на безпечній відстані від Вашої робочої ділянки. Кожна особа, що перебуває у межах робочої ділянки, повинна носити засоби індивідуального захисту. *Летючі осколки від оброблюваних деталей або від зламаного приладдя можуть відлетіти убік і заподіяти травму навіть за межами безпосередньої робочої ділянки.*



ним заходам безпеки оператор може контролювати реактивний момент і відскік.

- b) Ваші руки ніколи не повинні знаходитись поблизу приладдя, що обертається. Приладдя може відскочити і потрапити на Ваші руки.
- c) Тримайтеся осторонь від ділянки, по якій електроінструмент може рухатися у разі зворотного удару. Відскік веде електроінструмент у напрямку, протилежному рухові шліфувального диска у місці блокування.
- d) Під час обробки кутів, гострих кромок та іншого, працюйте з підвищеною увагою. Не дозволяйте приладдю відскакувати або блокувати деталь. Під час обробки кутів і гострих кромок існує ймовірність заклинювання приладдя, що обертається, що може призвести до втрати контролю або відскоку.
- e) Не використовуйте ланцюгові або циркулярні диски для обробки деревини. Дане приладдя часто є причиною відскоку або втрати контролю над електроінструментом.
  - Фіксуйте положення оброблюваної деталі у лещатах або іншим відповідним способом.

### Спеціальні вказівки з безпеки по шліфуванню та різанню абразивним диском

- a) Використовуйте тільки рекомендовані для даного електроінструмента диски з передбачуваним для них запобіжником. Диски, не передбачені для даного електроінструмента, не можуть бути достатньо екрановані і небезпечні.
- b) Вигнуті шліфувальні круги потрібно монтувати таким чином, щоб їх робоча поверхня не виступала за край захисного кожуха. Неправильно встановлений шліфувальний круг, що виступає за край захисного кожуха, не захищений достатнім чином.
- c) Захисний кожух повинен закріплюватися надійно до електроінструменту і налаштований так, щоб забезпечувати максимальну безпеку, тобто у бік оператора повинна бути відкрита як можна менша частина диску. Захисний кожух має захищати оператора від уламків, випадкового контакту з диском і іскор, які змогли б підпалити одяг.

- d) Диски необхідно застосовувати тільки для рекомендованих робіт. Наприклад, ніколи не шліфуйте бічною поверхнею відрізного диска. Відрізнi диски призначені для знімання матеріалу по кромці диска. Бічний тиск на такий диск може привести до його поломки.
- e) Завжди застосовуйте неушкоджені фланці для затягнення з відповідними розмірами і формою для обраного диска. Правильно обрані фланці, що затягають закріплюють диск і зменшують вірогідність його поломки. Фланці, що затягають для відрізнних дисків можуть відрізнятись від фланців, що затягають для інших видів дисків.
- f) Не використовуйте зношені диски, призначені для електроінструментів більших габаритів. Диск для великих електроінструментів не підходить для більш високих швидкостей малих електроінструментів і може зламатися.
  - Завжди дотримуйтесь напрямку руху диска. Реактивна сила діє у протилежному обертанню напрямку у місці шліфування або різання, й є передумовою втрати контролю над приладом.
  - Утримуйте машину таким чином, щоб іскри та пил під час шліфування відскакували вбік від вас. Електроінструменти утворюють іскри, які можуть пропалити одяг або незахищені частини тіла.
  - Не допускається шліфування та різання свіжофарбованих металевих конструкцій із невисохлою фарбою. Існує небезпека займання невисохлої фарби.
  - Не допускається різання горючих матеріалів (дерева, пластмаси тощо), а також панельних конструкцій типу "сандвіч", наповнених займистим наповнювачем. Існує небезпека виникнення пожежі.
  - Не допускається шліфування та різання споруд, що працюють під тиском. Існує небезпека вибуху.
  - Не допускається шліфування та різання резервуарів, трубопроводів, апаратів тощо, в яких є, або були займисті або легко займисті речовини і матеріали, без попередніх спеціальних заходів протипожежної і вибухонебезпечної безпеки. Існує небезпека виникнення пожежі або вибуху.

## Спеціальні вказівки з безпеки під час різання з абразивним диском

- a) Уникайте заклинювання відрізного диску або надмірного тиску на нього. Не намагайтеся виконувати надто глибокі порізи. *Перевантаження відрізного диска збільшує можливість його зношування і схильність до перекосу або блокування, а звідси - і можливість зворотного удару (відскоку) або полонки диска.*
- b) Не стійте на ділянці перед і за диском, що обертається. *Якщо відрізний диск у місці різання віддаляється від Вашого тіла, то у разі зворотного удару електроінструмент із обертювм диском може відскочити прямо на Вас.*
- c) У разі заклинювання відрізного диска або якщо з якоїсь причини Вам довелося припинити роботу, вимкніть електроінструмент і тримайте його нерухомо до повного зупинення обертання диска. Ніколи не намагайтеся вийняти диск, що ще обертається з розрізу, так як це може привести до зворотного удару. *Встановіть й усуньте причину заклинювання.*
- d) Ніколи не включаєте повторно електроінструмент, до тих пір, поки відрізний диск знаходиться ще у заготівці. Дайте відрізаному диску досягти повного числа обертів перед тим, як уважно продовжити різання. *В іншому випадку диск може засісти, вискочити з деталі або відскочити.*
- e) Плити або деталі з великими розмірами необхідно підстрахувати додатковими опорами з метою зменшення небезпеки заклинювання і зворотного удару. *Деталі великих розмірів можуть провисати під вагою власної ваги. Деталь повинна лежати на опорах із двох сторін диска, як поблизу розрізу, так і по краях деталі.*
- f) Будьте особливо обережні під час виконання розрізів із "зануренням" в існуючі стіни або інші ділянки, що не проглядаються (замуровані). *Диск, що занурюється всередину, може порізати газопровідні або водопровідні труби, електричну проводку або інші об'єкти, що може привести до зворотного удару.*

## Спеціальні вказівки з безпеки під час шліфування наждачним папером

- a) Не застосовуйте шліфувальні листи з надмірно великими розмірами, дотримуйтеся вказівок виробника щодо розмірів наждачного паперу. *Шліфувальний лист, який виступає за край еластичного диска, може розірватися і таким чином привести до блокування, розриву листа або відскоку.*

## Спеціальні вказівки з безпеки під час полірування:

- a) Не допускайте, щоб вільні частини від пілозбірника з вовни або закріплюючий шнур могли вільно обертатися. Приберіть у пілозбірник/мішечок для пилу/ або затягніть вільні кінці закріплюючого шнура. *Шнури для закріплення пілозбірника, що вільно звисають, можуть обмотати Ваші руки або зачепитися за деталь.*

## Спеціальні вказівки з безпеки під час роботи з дротяними щітками:

- a) Майте на увазі, що навіть під час нормальної роботи з дротяних щіток падає дрiт. Не перевантажуйте дрiт надмірним зусиллям притиснення. *Шматки дроту, що відлітають, легко проникають через тонкий одяг та/або шкіру.*
- b) Якщо під час роботи з дротяною щіткою рекомендується використання захисного кожуху, не допускайте зіткнення кожуха з дисковою (тарілчастою) або чашковою щіткою. *Тарілчасті або чашкові дротяні щітки можуть збільшувати свій діаметр під впливом зусилля притиснення і відцентрових сил.*

## Ознайомлення з електроінструментом

Перед початком роботи, ознайомтеся з усіма функціональними особливостями електроінструменту й умовами техніки безпеки. Використовуйте електроінструмент і приладдя тільки за призначенням. Будь-яке інше застосування категорично заборонене.



1. Шпindelь
- 2.1 Запобіжник для шліфувального диску
- 2.2 Запобіжник для відрізного диску\*
3. Опорний фланець
- 4.1 Шліфувальний диск (Використовувати тільки разом із запобіжником для шліфувального диску!)\*
- 4.2 Відрізний диск (Використовувати тільки разом із запобіжником для відрізного диску!)\*
5. Фланець для затискання
6. Додаткова рукоятка
7. Вимикач
8. Електронний регулятор обертів (M 750E HD Compact)
9. Стопор шпindelя

## ПРИЛАДДА, ЩО МОЖЕ ВИКОРИСТОВУВАТИСЯ НА ЦЬОМУ ЕЛЕКТРОІНСТРУМЕНТІ

10. Металева щітка \*
11. Пластмасовий (гумовий) диск \*
12. Лист шкурки або полірувальний чохол \*
13. Спеціальна гайка \*

\* Зображені на малюнках або описані у тексті додаткові аксесуари не поставляються разом із інструментом.

## Вказівки щодо роботи

Ці електроінструменти під'єднуються тільки до однофазної непостійної напруги. Мають подвійну ізоляцію згідно EN 60745 і IEC 60745-1 і можуть підключатися до контактів без захисних клем. Радіоперешкоди відповідають Директиві Європейського парламенту та Ради щодо електромагнітної сумісності. Цей електроінструмент призначений для різання, шліфування і чищення металів без використання води.

### ДО ПОЧАТКУ РОБІТ

- Машина може бути оснащена запобіжником фабрично. Переконайтеся, що запобіжник встановлений правильно і надійно зафіксований перед першим і кожним наступним використанням.
- Машина може бути оснащена диском фабрично. Переконайтеся, що диск встановлений правильно і надійно зафіксований перед першим і кожним наступним використанням

- Перевірте відповідність напруги електромережі щодо позначених на таблиці технічним даним електроінструменту.
- Перевірте положення вимикача. Електроінструмент слід підключати та відключати від мережі живлення тільки якщо вимикач вимкнений. Якщо вставляєте штепсель у розетку, а вимикач перебуває в увімкненому положенні, електроінструмент негайно почне працювати, що може привести до поранення.
- Переконайтеся у справності кабелю живлення і штепселя. Якщо кабель пошкоджений, для уникнення можливих ризиків його заміну здійснює тільки виробник або його сервісний фахівець.



**ЗАСТЕРЕЖЕННЯ:** Завжди відключайте електроінструмент та виймайте штепсель із розетки перед будь-яким налаштуванням, обслуговуванням або підтриманням роботи, а також у разі відсутності електричної напруги.

- При використанні алмазних відрізних дисків слідкуйте за тим, щоб стрілка напрямку обертання на алмазному відрізному диску відповідала напрямку обертання електроприладу (див. стрілку напрямку обертання на головці редуктора)
- Перевірте відповідність діаметру і товщини диска зазначеним технічним даним. Позначені на диску припустимі показники периферійної швидкості не повинні бути нижче 80 m/s. Диски слід зберігати згідно з інструкціями виробника.
- Якщо зона робіт віддалена від джерела живлення, використовуйте найкоротший подовжувач із відповідним перерізом.
- Перевірте правильність і надійність монтажу додаткової рукоятки.

### ПУСК - ЗУПИНКА

**Пуск:** Важіль вимикача (7) натискається у задній частині і після цього переміщується вперед у напрямку стрілки до моменту, поки його передня частина не потрапить у заглиблення і не застопориться.

**Зупинка:** Задній, підведений край важеля 7 натискається і залишається для самостійного повернення у початкове положення.



## ЕЛЕКТРОННЕ РЕГУЛЮВАННЯ ШВИДКОСТІ ОБЕРТАННЯ (М 750E HD Compact)

Не рекомендується тривала робота на низьких обертах із наступними машинами:

М 750E HD Compact.

Шляхом обертання електронного регулятора (8), розташованого на задній стороні шліфувального електроінструменту, плавно регулюється швидкість обертання. Рекомендації про положення регулятора у залежності від оброблюваного матеріалу вказані у таблиці:

Область застосування	Положення регулятора
----------------------	----------------------

- |  |              |
|--|--------------|
| 1. Шліфування пластмас<br>пластмасовий диск із шкуркою           | <b>A - C</b> |
| 2. Шліфування дерева й очищення<br>лакофарбованого покриття      | <b>B - D</b> |
| 3. Шліфування металу<br>пластмасовий диск із шкуркою             | <b>C - F</b> |
| 4. Очищення металічної іржі<br>щіткою                            | <b>D - F</b> |
| 5. Грубе очищення, різання металу<br>або каменя                  | <b>G</b>     |
| 6. Полірування пластмасовим диском<br>і мішечком для полірування | <b>A - B</b> |

Моделі М 750E HD Compact оснащені двонапівперіодною електронікою для:

- Плавного пуску й обмеження пускового струму;
- Попереднього налаштування швидкості обертання і регулювання числа обертів;

## ЗАХИСНИЙ КОЖУХ



**ЗАСТЕРЕЖЕННЯ:** Запобіжник 2,1 для шліфувального диска, або запобіжник 2,2 для відрізного диска (відповідно, для шліфувального диска 4,1 або для відрізного диска 4,2) повинен бути завжди встановлений на інструменті!

Положення кожуха залежить від того, з якого боку знаходиться додаткове руків'я.

## ЗМІНА ДИСКА

Шпindel 1 шліфувальної головки фіксується натисканням кнопки 9, розміщеної на редукторній коробці машини.



**ЗАСТЕРЕЖЕННЯ:** Не допускається натискання кнопки 9 під час обертання шпінделя.

(У разі натиснутої кнопки шпindel повертається до виразного вдавнення.) Фланець, що затискує 5 відкручується спеціальним ключем. Новий диск встановлюється на опорному фланці 3 лицьовим боком вгору, а фланець 5 загвинчується пласкою стороною до диска спеціальним ключем. Застосовуйте паперові підставні шайби, якщо диск ними укомплектований. Після зміни диска необхідно перевірити роботу кутошліфувальної машини на холостому ходу протягом однієї хвилини. У разі вібрації або биття слід негайно поміняти диск.

Металеві щітки 10 пригвинчуються безпосередньо до шпінделя 1 за допомогою гайкового ключа. (Перевірте чи відповідає довжина різби щіткової насадки глибини різьбової посадки шпінделя.)

Шліфування шкуркою і полірування здійснюються за допомогою пластмасового (каучукового) диска 11, на який призначена для полірування шкурка 12 надівається у вигляді чохла. Пластмасовий диск 11 встановлюється на опорному фланці 3 і притягається спеціальною гайкою 13, що входить в укомплектування виробу. Під час використання диска зі вставним фланцем, його насаджують безпосередньо на шпindel, без гайки, що затягує 5, за допомогою гайкового ключа. Диск із вставним фланцем може бути виготовлений із губки, що містить смолу, пінополіуретана з несучим пластмасовим вкладишем із гайкою, причому власне полірувальний лист шкурки або повсті кріплять до диска за допомогою системи "ліпучки". Після заміни диска запустіть інструмент попрацювати вхолосту на хвилину, без навантаження. Вібруючі або диски, що обертаються нерівномірно, слід тут же замінити.

## ВКАЗІВКИ ПО МОНТАЖУ ЗАХИСНОГО КОЖУХА

Перед виконанням наступних операцій штепсель повинен бути вимкнений із електромережі.

**Установка захисного кожуха (Рис.1)**

- Поверніть чорне пластмасове кільце (Рис. 2) так, щоб проріз S кільця збігся з прорізом, в який потрапляє зубець важеля L.

- Встановіть захисний кожух у неробочий стан (Рис.2) так, щоб чотири зубця, що фіксують, увійшли у пази гнізда підшипника (рис.3).

- Натиснути запобіжник вниз і повернути його за годинниковою стрілкою в бажану ро-

бочу позицію, в якій запобіжник заблокується важелем L.

#### **Установка кожуха у новому робочому положенні**

- Повернути запобіжник за годинниковою стрілкою і встановити в бажану робочу позицію, в якій запобіжник заблокується важелем L (Рис. 4).

#### **Демонтаж кожуха**

- Встановіть запобіжник в неробочу позицію (Рис. 3), так, щоб чотири зубці збіглися з чотирма порожнинами гнізда підшипників, і вийміть його вгору (Рис. 2).

### **ДОДАТКОВА РУКОЯТКА**

Зазвичай додаткова рукоятка (6) встановлюється з лівого боку кутошліфувальної машини. Її можна поставити і з правого боку, якщо так зручніше тому, хто працює.

### **РОЗВОРОТ КОРПУСУ**

Корпус кутошліфувальної машини можна розвернути на 90 або 180 градусів. Перше положення в основному потрібно під час різання, а друге, коли особа, що працює добре володіє лівою рукою. В обох випадках це повинно бути зроблено у сервісному центрі для електроінструмента SPARKY.

### **РЕКОМЕНДАЦІЇ**

Під час різання не зменшуйте натиск і не переміщуйте диск поперек розрізу. Застосовуйте помірний натиск, що відповідає оброблюваному матеріалу.

Дотримуйтесь напрямку різання. Машину слід направляти у бік, зворотний обертанню диска. В іншому випадку існує небезпека неконтрольованого виходу диска за рамки розрізу.

Під час різання профілів і труб із прямокутним перетином, рекомендується починати різання з найменшої сторони.

Під час шліфування не притискайте машину до оброблюваної поверхні, рухайте диск плавно вперед-назад. Легкі метали слід обробляти спеціальними дисками. Найкращий результат під час грубого шліфування досягається при 30° - 40-градусному нахилі між диском й оброблюваною поверхнею. Під час грубого шліфування не допускається використання дисків для різання. Використання дисків завтовшки більше 6 мм не рекомендується.

## **Обслуговування**



**ЗАСТЕРЕЖЕННЯ:** Завжди ви-микайте електроінструмент та виймайте штепсель із розетки перед тим, як розпочати будь-яку перевірку або обслуговування.

### **ЗАМІНА ЩІТОК**

У разі зношування, щітки слід одночасно замінити на нові оригінальні щітки у сервісі SPARKY (гарантійний та поза-гарантійний ремонт).

### **ЗАГАЛЬНА ПЕРЕВІРКА**

Регулярно здійснюйте перевірку всіх кріплень - вони повинні бути міцно затягнуті. У випадку, якщо будь-який гвинт відкритий, його слід негайно закрутити щоб уникнути небезпеки.

У разі пошкодження кабелю живлення, його заміну повинен здійснити виробник або його сервісний фахівець, щоб уникнути небезпеки.

### **ДОГЛЯД**

Для забезпечення безпечної роботи завжди підтримуйте у чистоті і машину, й її вентиляційні отвори.

Регулярно перевіряйте вентиляційні отвори електродвигуна або перемикачів на наявність пилу або сторонніх тіл. Використовуйте м'яку щітку та/або струмінь повітря для видалення пилу. Щоб уникнути пошкодження очей, під час догляду за пристроєм користуйтеся захисними окулярами.

Якщо корпус машини забруднений, протріть його м'якою вологою серветкою. Можна використовувати слабкий миючий засіб.

Під час робіт в дуже курнійому середовищі (різка каменю) необхідно в обов'язковому порядку кожен робочий день (8 робочих годин) очищати вентиляційні отвори і бігунок на холостому ходу машини повітряним струменем під тиском або помірним постукуванням біля вентиляційних отворів не металевим предметом (рис.6a,6b).



**ЗАСТЕРЕЖЕННЯ:** Не допускається застосування спирту, бензину та інших розчинників. Ніколи не користуйтеся їдкими препаратами для чищення пластмасових частин.



**ЗАСТЕРЕЖЕННЯ:** Не допускається попадання і контакт пристрою з водою.

**ВАЖЛИВО!** З метою забезпечення безпеки роботи електроінструменту і його надійності, всі ремонтні роботи, обслуговування і регулювання пристрою (враховуючи перевірку і заміну щіток) слід проводити у спеціалізованих сервісах SPARKY, використовуючи виключно оригінальні запасні частини.

## Гарантія

---

Гарантійний термін електроприладів SPARKY вказаний в гарантійній карті.

Несправності, що з'явилися в результаті природного зношування, перевантаження або неправильного користування, не входять до гарантійних зобов'язань.

Несправності, що з'явилися внаслідок застосування неякісних матеріалів та / або через виробничі помилок, усуваються без додаткової оплати шляхом заміни або ремонту.

Рекламації дефектного електроприладу SPARKY приймаються у тому випадку, якщо прилад буде повернуто постачальнику, або спеціалізованому гарантійного сервізу в не розібраному (початковому) стані.

## Примітки

---

Уважно прочитайте всю інструкцію з експлуатації, перед тим, як приступити до використання виробу.

Виробник зберігає за собою право вносити у свої вироби поліпшення і зміни, а також змінювати специфікації без попередження.

Специфікації для різних країн можуть відрізнятися.

## Съдържание

Въведение .....	113
Технически данни .....	115
Общи указания за безопасност при работа с електроинструменти .....	116
Допълнителни указания за безопасност при работа с ъглошлифовъчни машини .....	118
Запознаване с електроинструмента .....	A/121
Указания за работа .....	B/122
Поддръжка .....	124
Гаранция .....	125

### РАЗОПАКОВАНЕ

В съответствие с общоприетите технологии на едросерийно производство е малко вероятно Вашият електроинструмент да бъде неизправен или някоя от частите му да липсва. Ако забележите, че нещо не е наред, не работете с електроинструмента, докато повредената част не бъде заменена или неизправността не бъде отстранена. Неспазването на тази препоръка може да доведе до сериозна трудова злополука.

### СГЛОБЯВАНЕ

Ъглошлифовъчната машина се доставя опакована и сглобена, с изключение на предпазителя и допълнителната ръкохватка.

## Въведение

Новопридобитият от Вас електроинструмент SPARKY ще надхвърли Вашите очаквания. Той е произведен в съответствие с високите стандарти на качеството на SPARKY, отговарящи на строгите изисквания на потребителя. Лесен за обслужване и безопасен при експлоатация, при правилна употреба този електроинструмент ще Ви служи надеждно дълги години.

### ПРЕДУПРЕЖДЕНИЕ!



Внимателно прочетете цялата инструкция за използване преди да използвате новопридобития си електроинструмент SPARKY. Обърнете специално внимание на текстовете, които започват с думата “Предупреждение”. Вашият електроинструмент SPARKY притежава много качества, които ще улеснят Вашата работа. При разработката на този електроинструмент най-голямо внимание е обърнато на безопасността, експлоатационните качества и надеждността, които го правят лесен за поддръжка и експлоатация.



#### Не изхвърляйте електроинструменти заедно с битовите отпадъци!

Отпадъците от електрически изделия не трябва да се събират заедно с битовите отпадъци. Моля, рециклирайте на местата, предназначени за това. Свържете се с местните власти или представител за консултация относно рециклирането.

### ОПАЗВАНЕ НА ОКОЛНАТА СРЕДА



С оглед опазване на околната среда електроинструментът, принадлежностите и опаковката трябва да бъдат подложени на подходяща преработка за повторно използване на съдържащите се в тях суровини.

За облекчаване на рециклирането детайлите, произведени от изкуствени материали, са обозначени по съответния начин.

## ОПИСАНИЕ НА СИМВОЛИТЕ

Върху табелката с данни на електроинструмента са означени специални символи. Те предоставят важна информация за изделието или инструкции за неговото ползване.



Двойна изолация за допълнителна защита.



Присъединителна резба на вретеното M14.



Съответства на приложимите европейски директиви.



Съответства на изискванията на регламентите на Митническия съюз.



Съответства на изискванията на украинските нормативни документи.



Запознайте се с инструкцията за използване.




Винаги носете защитни очила.

YYYY-Www    Период на производство, където променливи символи са:  
YYYY - година на производство,  
ww - поредна календарна седмица.

M                Ъглошлифовъчна машина.

## Технически данни

Модел	M750 HD Compact	M750E HD Compact
Консумирана мощност	750 W	750 W
Обявена скорост на въртене	10500 min <sup>-1</sup>	3500-10500 min <sup>-1</sup>
Присъединителна резба на вретеното	M14	M14
Дължина на резбата на вретеното	20 mm	20 mm
Вътрешен диаметър на шлифовъчния диск	22,23 mm	22,23 mm
Максимален диаметър на шлифовъчния диск	125 mm	125 mm
Максимална дебелина на шлифовъчния диск	6 mm	6 mm
Тегло (ЕРТА процедура 01/2014)	1,8 kg	1,9 kg

Клас на защита (EN 60745-1) 

II

II

### ИНФОРМАЦИЯ ЗА ШУМ И ВИБРАЦИИ

Стойностите са измерени съгласно EN 60745.

#### Излъчване на шум

A-претеглено ниво на звуково налягане $L_{pA}$	86 dB(A)	85 dB(A)
Неопределеност $K_{pA}$	3 dB(A)	3 dB(A)
A-претеглено ниво на звукова мощност $L_{WA}$	97 dB(A)	96 dB(A)
Неопределеност $K_{WA}$	3 dB(A)	3 dB(A)

#### Използвайте средства за защита от шума!

#### Излъчване на вибрации \*

Обща стойност на вибрациите (векторна сума по трите оси), определена съгласно EN 60745:

Шлифване на повърхнини		
Стойност на излъчените вибрации $a_{h,AG}$	10,8 m/s <sup>2</sup>	10,6 m/s <sup>2</sup>
Неопределеност $K_{AG}$	1,5 m/s <sup>2</sup>	1,5 m/s <sup>2</sup>
Шлифване с шкурка		
Стойност на излъчените вибрации $a_{h,DS}$		<2,5 m/s <sup>2</sup>
Неопределеност $K_{DS}$		1,5 m/s <sup>2</sup>

\* Вибрациите са определени съгласно т. 6.2.7 на EN 60745.

Посоченото в тази инструкция ниво на вибрации е измерено в съответствие с методиката за изпитване, указана в EN 60745 и може да се използва за сравняване на електроинструменти. Нивото на вибрации може да се използва за предварителна оценка на степента на въздействие. Декларираното ниво на вибрации се отнася за основното предназначение на електроинструмента. В случаите, при които електроинструментът се използва за друго предназначение, с други принадлежности или ако електроинструментът не се поддържа добре, нивото на вибрации може се различава от посоченото. В тези случаи нивото на въздействие може значително да нарасне в границите на общия период на работа.

При оценката на нивото на въздействие на вибрации трябва също да се отчита времето, през което електроинструментът е изключен или е включен, но не се използва. Това може значително да понижи нивото на въздействие в границите на общия период на работа.

Поддържайте електроинструмента и принадлежностите в добро състояние. Пазете ръцете си топли по време на работа - това ще намали вредното въздействие при работа с повишени вибрации.

При други операции, например рязане с абразивен диск или почистване с телени четки, излъчените вибрации могат да имат други стойности.

Прахът, отделян при обработването на материали като оловосъдържащи бои, някои видове дървесина, минерали и метали, може да бъде опасен за здравето. Допирът или вдишването на праха може да предизвика алергични реакции и/или заболявания на дихателните пътища на оператора или на намиращи се в близост лица.

Някои видове прах, например от дъб или бук, се считат за канцерогенни, особено в комбинация с добавки за обработка на дървесина (хромат, консерванти). Материал, който съдържа азбест, трябва да се обработва само от специалисти.

- Когато това е възможно, използвайте прахоотвеждане.

- Осигурете добра вентилация на работното място.
  - Препоръчва се използването на защитна маска за прах с филтър клас P2.
- Спазвайте действащите във вашата страна разпоредби за обработване на съответните материали.

## Общи указания за безопасност при работа с електроинструменти



**ПРЕДУПРЕЖДЕНИЕ!** Четете всички предупреждения и указания за безопасност. Неспазването на предупрежденията и указанията за безопасност може да предизвика поражение от електрически ток, пожар и/или сериозно нараняване.

Запазете всички предупреждения и указания за бъдещо ползване.

Терминът "електроинструмент" във всички описани по-долу предупреждения се отнася до вашия електроинструмент, захранван от мрежата (с шнур) и/или електроинструмент, захранван от акумулаторна батерия (без шнур).

### 1) Безопасност на работното място

- а) Поддържайте работното място чисто и добре осветено. Безпорядъкът и недостатъчното осветление са предпоставка за трудови злополуки.
- б) Не работете с електроинструменти в експлозивни атмосфери при наличие на запалими течности, газове или прах. Електроинструментите образуват искри, които могат да възпламенят праха или парите.
- в) Дръжте децата и страничните лица на разстояние, когато работите с електроинструмент. Разсейването може да доведе до загуба на контрол от Ваша страна.

### 2) Електрическа безопасност

- а) Щепселите на електроинструментите трябва да съответстват на контактите. Никога не променяйте щепсела по какъвто и да било начин. Не използвайте каквито и да са адаптерни щепсели за електроинструменти със защитно заземяване. Употребата на непроме-

нени щепсели и съответстващите им контакти намалява риска за поражение от електрически ток.

- б) Избягвайте допир на тялото до земя или до заземени повърхности, такива като тръби, радиатори, кухненски печки и хладилници. Ако тялото ви е заземено, съществува повишен риск от поражение от електрически ток.
  - в) Не излагайте електроинструментите на дъжд или във влажна среда. Проникването на вода в електроинструмента повишава риска от поражение от електрически ток.
  - г) Използвайте шнура по предназначение. Никога не използвайте шнура за носене на електроинструмента, опъване или изваждане на щепсела от контактното гнездо. Дръжте шнура далече от топлина, масло, остри ръбове или движещи се части. Увредени или оплетени шнурове повишават риска за поражение от електрически ток.
  - д) При работа с електроинструмента на открито, използвайте удължител, подходящ за работа на открито. Използването на удължител, подходящ за работа на открито, намалява риска от поражение от електрически ток.
  - е) Ако работата с електроинструмента във влажна среда е неизбежна, използвайте предпазно устройство, задействано от остатъчен ток, за прекъсване на захранването. Използването на предпазно устройство намалява риска от поражение от електрически ток.
- ### 3) Лична безопасност
- а) Бъдете бдителни, работете с повишено внимание и проявявайте благодарумие, когато работите с електроинструмент. Не използвайте електроинструмента, когато сте уморени или под влияние на наркотици, алкохол или медикаменти. Момент на невнимание при работа с електроинструмент може да предизвика сериозна трудова злополука.
  - б) Използвайте лични предпазни средства. Носете винаги средства за



защита на очите. Лични предпазни средства, като маска против прах, неплъзгащи се безопасни обувки, защитен шлем или средства за защита на слуха, използвани при конкретните условия, намаляват риска от трудови злополуки.

- c) Избягвайте неволно пускане. Убедете се, че прекъсвачът е в изключено положение преди включване към източник на захранване и/или акумулаторна батерия, преди да го вземете или пренасяте. Носенето на електроинструмент с пръст върху прекъсвача или свързването към източник на захранване на електроинструмент с прекъсвач във включено положение е предпоставка за трудова злополука.
- d) Отстранете всеки ключ за затягане или гаечен ключ преди включване на електроинструмента. Ключ за затягане или гаечен ключ, прикрепен към въртяща се част на електроинструмента, може да предизвика трудова злополука.
- e) Не се пресягайте. Поддържайте правилен стоен и равновесие през цялото време. Това позволява по-добро управление на електроинструмента при неочаквани ситуации.
- f) Носете подходящо работно облекло. Не носете широки дрехи или бижута. Дръжте косите си, дрехите и ръкавиците далеч от движещи се части. Широки дрехи, бижута или дълги коси могат да се захванат от движещи се части.
- g) Ако електроинструментът е снабден с приспособления за засмукване и улавяне на прах, убедете се, че те са свързани и правилно използвани. Използването на тези устройства може да намали свързаните с прах опасности.

#### 4) Използване и грижи за електроинструментите

- a) Не претоварвайте електроинструмента. Използвайте правилно избрания електроинструмент според приложението. Правилно избраният електроинструмент работи по-добре и по-безопасно при обявения режим на работа, за който е проектиран.
- b) Не използвайте електроинструмента, ако прекъсвачът не превключва във

включено и изключено положение. Всеки електроинструмент, който не може да бъде управляван с прекъсвач, е опасен и трябва да бъде ремонтиран.

- c) Разединете щепсела от захранващата мрежа преди да извършите всякакви настройки, преди замяна на принадлежностите или преди да приберете електроинструмента за съхранение. Тези предпазни мерки за безопасност намаляват риска от неволно пускане на електроинструмента.
  - d) Съхранявайте неизползваните електроинструменти на места, недостъпни за деца и не позволявайте на обслужващи лица, които не познават електроинструмента или не са запознати с тези инструкции, да работят с него. Електроинструментите са опасни в ръцете на необучени потребители.
  - e) Поддържайте електроинструментите. Проверявайте движещите се части дали функционират нормално и се движат свободно, целостта и изправността на частите, както и за всякакво друго обстоятелство, което може неблагоприятно да повлияе на работата на електроинструмента. Ако е повреден, електроинструментът трябва да бъде ремонтиран преди по-нататъшно използване. Много злополуки са причинени от лошо поддържани електроинструменти.
  - f) Поддържайте режещите инструменти остри и чисти. Правилно поддържаните режещи инструменти с остри режещи ръбове е по-малко вероятно да блокират и са по-лесни за управление.
  - g) Използвайте електроинструмента, принадлежностите и частите на инструмента и т.н. в съответствие с тези инструкции и по начин, предвиден за конкретния тип електроинструмент, като вземате предвид работните условия и работата, която трябва да се извършва. Използването на електроинструмента за работа, различна от тази, за която е проектиран, може да предизвика опасна ситуация.
- #### 5) Обслужване
- a) Поддържайте вашия електроинструмент при квалифициран специалист по ремонт, като използвате само оригиналните резервни части. Това осигурява запазването на безопасността на електроинструмента.

## Допълнителни указания при работа с ъглошлифовъчни машини

Общи указания за безопасност при шлифование с абразивен диск, шлифование с шкурка, почистване с телена четка, полиране и рязане с абразивен диск:

- a) Този електроинструмент може да се използва като шлифовъчна машина с абразивен диск, с шкурка, с телена четка, полираща машина и машина за рязане с абразивен диск. Прочетете всички указания за безопасност, инструкции, изображения и данни, които сте получили с машината. *Неспазването на указанията за безопасност може да предизвика поражение от електрически ток, пожар и/или сериозно нараняване.*
- b) Този електроинструмент не е подходящ за полиране. *Операции, за които електроинструментът не е предназначен, могат да създадат опасност и да предизвикат нараняване. (M 750 HD Compact)*
- c) Не използвайте принадлежности, които не са разрешени и препоръчани от производителя специално за този електроинструмент. *Фактът че можете да закрепите принадлежността на Вашия електроинструмент, не гарантира безопасна употреба.*
- d) Номиналните обороти на принадлежността трябва да са най-малко равни на посочените върху електроинструмента максимални обороти. *Принадлежността, които се въртят със скорост, по-висока от тяхната номинална скорост, могат да се счупят и парчетата им да се разлетят.*
- e) Външният диаметър и дебелината на работния инструмент трябва да бъдат в границите на указаните размери на Вашия електроинструмент. *Принадлежността с неподходящи размери не могат да бъдат защитени или управлявани добре.*
- f) Резбата на работните инструменти, които се монтират, трябва да съответства на резбата на вретеното на шлифовъчната машина. За работни инструменти,

монтирани чрез фланци, присъединителният отвор на работния инструмент трябва да пасне на фиксиращия диаметър на фланеца. *Работни инструменти, които не пасват на монтажната метална част на електроинструмента, се въртят неуравновесено, вибрират прекомерно и може да предизвикат загуба на контрол.*

- g) Не използвайте повредени принадлежности. Преди всяка употреба проверявайте принадлежностите - шлифовъчните дискове за нащърбване и пукнатини, еластичните дискове за пукнатини, разкъсване или силно износване, телените четки за разхлабени или начупени нишки. Ако изтървете електроинструмента или принадлежността, проверете за повреда или монтирайте неповредена принадлежност. След като принадлежността е проверена и монтирана, застанете заедно със страничните лица извън равнината на въртене на принадлежността и оставете електроинструмента да работи с максимални обороти на празен ход в продължение на една минута. *Обикновено това време е достатъчно за повредените принадлежности да се счупят.*
- h) Носете лични предпазни средства. В зависимост от конкретния случай, използвайте предпазен щит за лице или защитни очила. Ако е необходимо, използвайте прахозащитна маска, средства за защита за слуха, защитни ръкавици или специална престилка, която да задържа малките частици от шлифовъчната принадлежност или обработвания детайл. *Средствата за защита на очите трябва да предпазват от възникналите при различните операции хвърчащи отломки. Прахозащитните и газозащитните маски трябва да филтрират отделяните при работа частици. Продължителното излагане на силен шум може да предизвика загуба на слуха.*
- i) Дръжте страничните лица на безопасно разстояние от зоната на работа. Всяко лице, намиращо се в зоната на работа, трябва да носи лични предпазни средства. *Възможно е хвърчащи отломки от обработвания детайл или от счупена принадлежност да предизвикат нараняване и извън границите*

на непосредствената зона на работа.

- j) **Дръжте електроинструмента само за изолираните повърхности за захващане** когато извършвате операция, при която режещата принадлежност може да допре до скрита ел. инсталация или до собствения шнур. *Допирът на режещата принадлежност до проводник под напрежение ще постави откритите метални части на електроинструмента под напрежение и операторът ще получи токов удар.*
- k) **Дръжте охранявания кабел извън обсега на действие на въртящата се принадлежност.** *Ако изгубите контрол над електроинструмента, охраняващият кабел може да бъде срянзан или да увлече дланта или ръката Ви в обсега на въртящия се инструмент.*
- l) **Никога не оставяйте електроинструмента преди принадлежността да е напълно спряла да се върти.** *Въртящата се принадлежност може да захване обработвания материал и да загубите контрол над електроинструмента.*
- m) **Не оставяйте електроинструмента да работи, докато го носите.** *Случаен допир на въртящата се принадлежност до облеклото Ви може го захване и тя да нарани тялото Ви.*
- n) **Почиствайте редовно вентилационните отвори на електроинструмента.** *Вентилаторът на електродвигателя засмуква прах в корпуса, а прекомерното натрупване на метален прах може да предизвика опасност за поражение от електрически ток.*
- o) **Не използвайте електроинструмента в близост до горими материали.** *Искрите могат да възпламяят тези материали.*
- p) **Не използвайте принадлежности, работата с които изисква течни охлаждащи средства.** *Използването на вода или други течни охлаждащи средства може да доведе до поражение или удар от електрически ток.*
- **Електроинструментът трябва да се използва само по предназначение.** *Всякаква друга употреба, различаваща се от описаната в тази инструкция, ще се счита за неправилна употреба. Отговорността за всякаква повреда или нараняване, произтичащи от неправилна употреба, ще се носи от по-*

*требителя, а не от производителя.*

- **Производителят не носи отговорност за извършени от потребителя промени** върху електроинструмента или за повреди, предизвикани от подобни промени.
- **При работа в запрашена среда вентилационните отвори на машината трябва да се поддържат чисти.** *Ако се наложи да бъдат почиствани от прах, първо изключете захранването и използвайте неметални предмети за почистването на праха, като внимавате да не повредите вътрешните детайли на машината. Електроинструментът ще прегрее при намалено охлаждане в следствие на запрашените вентилационни отвори.*
- **Електроинструментът е предназначен за работа в помещения и зони с нормална пожарна опасност** съгласно "НАРЕДБА № 13-1971 за строително-технически правила и норми за осигуряване на безопасност при пожар". *Не се допуска използването му във взривоопасна и пожароопасна среда, при температура на околния въздух над 40°C, в особено влажна среда, при наличие на валежи и в химически активна среда. Работното място трябва да е добре осветено.*

## **Други указания за безопасност за всички операции**

### **Отскок (обратен удар) и свързаните с него указания за безопасност**

Отскок е внезапната реакция вследствие на заклиняване или блокиране на принадлежност, например шлифовъчен диск, еластичен диск, телена четка и т.н. Заклиняването или блокирането води до внезапно спиране на въртенето на принадлежността, което от своя страна изтласква неконтролируемия електроинструмент в посока обратна на посоката на въртене на работния инструмент в точката на заклиняване.

Например ако шлифовъчният диск се заклини или блокира в детайла, ръбът на шлифовъчния диск, който е врязан в детайла, засяда и вследствие на това дискът може да се счупи или да предизвика отскок. Шлифовъчният диск отскача към или от оператора, в зависимост от посоката на въртене на диска в мястото на блокиране. При тези обстоятелства е възмож-

но шлифовъчните дискове да се счупят.

Отскокът е резултат от неправилна употреба и/или неправилна експлоатация или условия на работа с електроинструмента и може да се предотврати чрез описаните по-долу подходящи предпазни мерки.

- a) **Дръжте здраво електроинструмента, вземете подходяща стойка и поставете ръцете си така, че да можете да овладеете силата на отскока. Винаги използвайте допълнителната ръкохватка, ако електроинструментът е снабден с такава, за да имате възможно най-голям контрол над силата на отскока или реактивния момент при пускане. Чрез подходящи предпазни мерки операторът може да овладее реактивния момент и отскока.**
- b) **Никога не поставяйте ръцете си в близост до въртящата се принадлежност. Принадлежността може да отскочи върху ръката Ви.**
- c) **Не заставайте в областта, в която електроинструментът би се придвижил при отскок. Отскокът задвижва електроинструмента в посока, противоположна на движението на шлифовъчния диск, в мястото на блокиране.**
- d) **Когато обработвате ъгли, остри ръбове и др., работете с повишено внимание. Не позволявайте принадлежността да отскача или да блокира в детайла. При обработката на ъгли и остри ръбове има вероятност въртящата се принадлежност да се заклини, с което да предизвика загуба на контрол или отскок.**
- e) **Не използвайте верижни или циркулярни дискове за обработване на дървесина. Тези принадлежности често предизвикват отскок или загуба на контрол над електроинструмента.**
  - **Фиксирайте обработвания детайл в менгеме или по друг подходящ начин.**

### **Специфични указания за безопасност при шлифване и рязане с абразивен диск**

- a) **Използвайте само препоръчаните за електроинструмента видове дискове с предвиден за тях предпазител. Дискове, за които електроинструментът не е проектиран, не могат да бъдат подходящо защитени и не са безопасни.**

- b) **Шлифовъчната повърхнина на дисковете с изпъкнал център, трябва да бъде монтирана под равнината на борда на предпазителя. Неправилно монтиран шлифовъчен диск, който се издава над равнината на борда на предпазителя, не може да бъде адекватно защитен.**
- c) **Предпазителят трябва да се закрепва надеждно към електроинструмента и да е разположен така, че да осигурява максимална безопасност, т.е. възможно най-малка част от диска да е открита към оператора. Предпазителят трябва да предпазва оператора от отломки, случаен контакт с диска и искри, които биха могли да подпалят облеклото.**
- d) **Дисковете трябва да се използват само за препоръчаните приложения. Например никога не шлифвайте със страничната повърхност на отрезен диск. Отрезните дискове са предназначени за отнемане на материал с ръба на диска. Упражняването на страничен натиск върху такъв диск може да го строши.**
- e) **Винаги използвайте изправни затягащи фланци с подходящ размер и форма за избрания диск. Правилно избраните затягащи фланци закрепват диска и намаляват опасността от счупването му. Затягащите фланци за отрезни дискове могат да се различават от затягащите фланци за друг вид дискове.**
- f) **Не използвайте износени дискове от по-големи електроинструменти. Дискът за по-голям електроинструмент не е подходящ за по-високите обороти на по-малък електроинструмент и може да се счупи.**
  - **Винаги съблюдавайте посоката на въртене на диска. Реактивната сила е обратна на посоката на въртене в мястото на шлифване или рязане и е предпоставка за загубване на контрол върху електроинструмента.**
  - **Винаги дръжте машината, така че искрите и прахът от шлифването да се разпръскват настрани от тялото. Електроинструментите образуват искри, които могат да обгорят облеклото или незащитени части на тялото.**
  - **Не се допуска шлифване и рязане на прясно боядисани метални конструкции преди изсъхване на боята.**

Съществува опасност от запалване на неизсъхналата боя.

- Не се допуска рязане на горими материали (дърво, пластмаса и др.) и панелни конструкции тип “сандвич” с горим пълнеж. Съществува опасност от възникване на пожар.
- Не се допуска шлифване и рязане на съоръжения, работещи под налягане. Съществува опасност от възникване на експлозия.
- Не се допуска шлифване и рязане на резервоари, тръбопроводи, апарати и др., в които има или е имало горими или лесно запалими вещества и материали, без да се вземат специални пожаро- и взривобезопасни мерки. Съществува опасност от възникване на пожар или експлозия.

### Специфични указания за безопасност при рязане с абразивен диск

- a) Избягвайте заклиняване на отрезния диск или прилагане на прекомерен натиск. Не се опитвайте да извършвате твърде дълбоки разрези. Претоварването на отрезния диск увеличава неговото износване и податливостта към усукване или блокиране, а оттам и възможността за отскок или счупване на диска.
- b) Не заставайте в областта пред и зад въртящия се диск. Ако отрезният диск в мястото на рязане, се отдалечава от Вашето тяло, евентуален отскок би тласнал електроинструментът с въртящия се диск право към Вас.
- c) Ако отрезният диск се е заклинил или ако по някаква причина прекъснете работата, изключете електроинструмента и го дръжете неподвижен докато дискът окончателно спре да се върти. Никога не се опитвайте да извадите още въртящия се диск от разреза, в противен случай ще предизвикате отскок. Открийте и отстранете причината за заклиняването.
- d) Никога не включвайте повторно електроинструмента, докато отрезният диск се намира още в детайла. Оставете отрезния диск да достигне пълните обороти преди да го вкарате внимателно в разреза. В противен случай дискът може да заседне, да се изплъзне от детайла или да отскочи.
- e) Осигурете с допълнителни опори пло-

чите или детайлите с големи размери, за да намалите риска от заклиняване и отскок. Детайлите с големи размери провисват от собственото си тегло. Детайлът трябва да се подпира от двете страни на диска, както в близост до разреза така и в краищата на детайла.

- f) Бъдете особено предпазливи при прорязване на канали в съществуващи стени или други зазидани повърхнини. Издаващият се напред диск може да среже газопроводни или водопроводни тръби, електрическа инсталация или други обекти, което да предизвика отскок.

### Специфични указания за безопасност при шлифване с шкурка

- a) Не използвайте твърде големи листови шкурка, спазвайте указанията на производителя за размерите на шкурката. Лист шкурка, който се подава извън еластичния диск, е подложен на опасност от разкъсване и може да предизвика блокиране, скъсване на шкурката или отскок.

### Специфични указания за безопасност при полиране:

- a) Не допускайте разхлабени части на калъфа от вълна или на закрепващия шнур да се въртят свободно. Подпъхнете в калъфа или затегнете свободните краища на закрепващия шнур. Разхлабените въртящи шнурове за закрепване могат да се заплетат в пръстите ви или да се закачат за детайла.

### Специфични указания за безопасност при работа с телени четки:

- a) Имайте предвид, че и при нормална работа от телената четка падат телени нишки. Не претоварвайте нишките като притискате четката твърде силно. Излитащите телени нишки лесно проникват през тънко облекло и/или през кожата.
- b) Ако при работа с телена четка се препоръчва използването на предпазител, не допускайте предпазителът и дисковата или чашкообразна телена четка да се допират. Дисковите или чашкообразни телени четки могат да увеличат диаметъра си под въздействи-



вието на натиска при работа и центрострежителните сили.

## Запознаване с електроинструмента

Преди да започнете да работите с електроинструмента се запознайте с всички оперативни особености и условия за безопасност. Използвайте електроинструмента и принадлежностите му само по предназначение. Всяко друго приложение е изрично забранено.

1. Вретено
- 2.1. Предпазител за шлифовъчен диск
- 2.2. Предпазител за отрезен диск\*
3. Упорен фланец
- 4.1. Диск за шлифование  
(Да се използва само с предпазител за шлифовъчен диск!)\*
- 4.2. Диск за рязане  
(Да се използва само с предпазител за отрезен диск!)\*
5. Затягащ фланец
6. Допълнителна ръкохватка
7. Прекъсвач
8. Електронен регулатор на оборотите (M 750E HD Compact)
9. Бутон за фиксиране на вретеното

### ПРИНАДЛЕЖНОСТИ, КОИТО МОГАТ ДА БЪДАТ ИЗПОЛЗВАНИ С ТОЗИ ЕЛЕКТРОИНСТРУМЕНТ

10. Метална четка\*
11. Пластмасов (гумен) диск\*
12. Лист от шкурка или калъф за полиране\*
13. Специална гайка\*

\* Изобразените на фигурите или описани в инструкцията за използване допълнителни приспособления не са включени в комплектацията.

## Указания за работа

Тези електроинструменти се захранват само с еднофазно променливо напрежение. Те са с двойна изолация съгласно EN 60745 и IEC 60745-1 и може да се присъединяват към контакти без защитни клеми. Радиосмущенията съответстват на Директивата за електромагнитна съвместимост.

Този електроинструмент е предназначен за рязане, шлифование и четкане предимно на

метали, без използването на вода.

### ПРЕДИ ДА ЗАПОЧНЕТЕ РАБОТА

- Машината може да е с фабрично монтиран предпазител. Уверете се, че предпазителят е монтиран правилно и надеждно фиксиран преди първата и всяка следваща употреба.
- Машината може да е с фабрично монтиран диск. Уверете се, че дискът е монтиран правилно и надеждно затегнат преди първата и всяка следваща употреба.
- Проверете дали напрежението на електрическата мрежа отговаря на това, означено върху табелката с технически данни на електроинструмента.
- Проверете в какво положение се намира прекъсвачът. Електроинструментът трябва да се присъединява и отделя от захранващата мрежа само при изключен прекъсвач. Ако поставите щепсела в контакт докато прекъсвачът е във включено положение, електроинструментът веднага ще се задейства, което е предпоставка за злополука.
- Убедете се в изправността на захранващия кабел и щепсел. Ако захранващият кабел е повреден, замаяната трябва да се извърши от производителя или от негов сервизен специалист, за да се избегнат опасностите от замаяната.



**ПРЕДУПРЕЖДЕНИЕ:** Винаги изключвайте електроинструмента и изваждайте щепсела от контакта преди извършване на всякаква настройка, обслужване или поддръжка или при отпадане на захранващото напрежение.

- При монтиране на диамантени отрезни дискове, обърнете внимание посоката на стрелката, указваща посоката на въртене върху диамантения отрезен диск, да съвпада с посоката на въртене на машината (виж стрелката, указваща посоката на въртене върху редукторната кутия).
- Проверете дали диаметърът и дебелината на диска не са по-големи от указаните в техническите данни. Означената върху диска допустима периферна скорост да не е по-ниска от 80 m/s. Дисковете трябва да се съхраняват съгласно инструкциите на производителя им.
- Ако зоната на работа е отдалечена от източника на захранване, използвайте колкото е възможно по-къс удължител с подходящо сечение.

- Проверете дали допълнителната ръкохватка е правилно поставена и надеждно затегната.

## ПУСКАНЕ - СПИРАНЕ

Пускане: Плъзгачът на прекъсвача 7 се натиска в задната част и след това се измества напред по посока на стрелката, докато предната му част хлътне и се застопори.

Спиране: Задният надигнат край на прекъсвача 7 се натиска и се оставя самостоятелно да се върне назад в изходно положение.

## ЕЛЕКТРОННО РЕГУЛИРАНЕ НА ОБОРОТИТЕ (M 750E HD Compact)

Не се препоръчва продължителна работа при понижени обороти със следните машини: M 750E HD Compact.

Чрез въртене на електронния регулатор 8, намиращ се на задната страна на шлифовъчната машина, оборотите се регулират плавно. Препоръчителните положения на регулатора за различните области на приложение са указани в таблицата по-долу:

Област на приложение	Положение на регулатора
----------------------	-------------------------

- |   |              |
|---|--------------|
| 1. Шлифоване на пластмаси с пластмасов диск и шкурка          | <b>A - C</b> |
| 2. Шлифоване на дърво и почистване на покрития от лак или боя | <b>B - D</b> |
| 3. Шлифоване на метал с пластмасов диск и шкурка              | <b>C - F</b> |
| 4. Почистване на ръжда с метална четка                        | <b>D - F</b> |
| 5. Грубо почистване, рязане на метал или камък                | <b>G</b>     |
| 6. Полиране с пластмасов диск и калъф за полиране             | <b>A - B</b> |

Моделите M 750E HD Compact са с **двуполупериодна електроника** за:

- Плавно пускане и ограничаване на пусковия ток;
- Предварителен избор и регулиране на оборотите.

## ПРЕДПАЗИТЕЛ НА ДИСКА



**ПРЕДУПРЕЖДЕНИЕ:** Предпазителят 2.1 за шлифовъчен диск или предпазителят 2.2 за отрезен диск (съответно за шлифовъчен диск 4.1 или за отрезен диск 4.2) трябва винаги да бъде монтиран на машината!

Неговото положение е различно в зависимост от това, от коя страна е поставена

допълнителната ръкохватка и при монтиране на машината към стойка.

## СМЯНА НА ДИСКА

Вретеното 1 на шлифовъчната машина се фиксира чрез натискане на бутона 9, намиращ се върху редукторната кутия на машината.



**ПРЕДУПРЕЖДЕНИЕ:** Не се допуска натискане на бутона 9 докато вретеното се върти.

(При натиснат бутон се завърта вретеното до неговото отчетливо потъване). Затягащият фланец 5 се отвива със специален ключ. Новият диск се поставя върху упорния фланец 3 с надписите нагоре, а затягащият фланец 5 се завива с плоската страна към диска като се използва специалният ключ. Използвайте хартиените подложни шайби, ако дискът е комплектован с тях. След смяна на диска пуснете машината да работи с новия диск около една минута без натоварване. Вибриращите или неравномерно въртящи се дискове трябва незабавно да се заменят.

Металната четка 10 се завива направо на вретеното 1 с помощта на гаечен ключ. Проверете дали дължината на резбата на четката е достатъчно дълга, за да обхване резбата на вретеното).

Шлифоването с шкурка и полирането се извършват с пластмасов (гумен) диск 11, под който се поставя лист шкурка или калъф за полиране 12. Пластмасовият диск 11 се поставя върху упорния фланец 3 и се притяга със специална гайка 13, с която е комплектован. Ако се използва работен диск с вложен фланец, то той се завива директно на вретеното без използване на затягащия фланец 5, с помощта на гаечен ключ. Дискът с вложен фланец може да бъде от смолосъдържаща гъба, пенополиуританов с носеща пластмасова вложка, в която е вложена гайката, а самият полиращ лист шкурка или вълнено кече се захваща към пенополиуритановия диск чрез "прилепваща"- системата. След смяна на пластмасовия (гумен) диск пуснете машината да работи с новия диск около една минута без натоварване. Вибриращите или неравномерно въртящи се дискове трябва незабавно да се заменят.



## УКАЗАНИЯ ЗА МОНТАЖ НА ПРЕДПАЗИТЕЛЯ

Преди извършване на следните операции, машината трябва да бъде изключена от мрежовото захранване чрез щепсела.

### Поставяне на предпазителя (фиг.1)

- Завъртете пластмасовия черен пръстен (фиг. 2), така че процепът S на пръстена да съвпадне с изреза, където попада зъбът от лост заключващ L.

- Поставете предпазителя в неработно положение (фиг.2), така че четирите зъба да съвпадат с четирите изреза в лагерното гнездо (фиг.3).

- Натиснете предпазителя надолу и го завъртете по часовниковата стрелка в желаното работно положение, в което предпазителя се застопорява от лост заключващ L.

### Завъртане на предпазителя в ново работно положение

- Завъртете предпазителя само по часовниковата стрелка в желаното работно положение, в което предпазителя се застопорява от лост заключващ L (фиг.4).

### Сваляне на предпазителя

- Завъртете предпазителя в неработно положение (фиг.3), така че четирите зъба да съвпадат с четирите изреза в лагерното гнездо и го извадете нагоре (фиг.2).

## ДОПЪЛНИТЕЛНА РЪКОХВАТКА

Нормално допълнителната ръкохватка б се завива от лявата страна на машината. Тя може да се завие и от дясната страна, ако това е по-удобно за оператора.

## ЗАВЪРТАНЕ КОРПУСА НА МАШИНАТА

Корпусът на машината може да се завърти на 90° или 180°. Първото положение се прилага, когато машината се използва предимно за рязане, а второто - когато операторът си служи по-добре с лявата ръка. И в двата случая завъртането на корпуса трябва да се извърши в оторизиран сервиз за ръчни електроинструменти SPARKY.

## ПРЕПОРЪКИ

При работа с отрезен диск не упражнявайте натиск, не движете диска напречно на разреза. Работете с умерено подаване, подходящо за обработвания материал.

Важна е посоката, в която се реже. Машина-

та трябва да се подава в посока, обратна на въртенето на диска. В противен случай съществува опасност дискът неконтролирано да излезе извън разреза.

При рязане на профили и тръби с правоъгълно сечение, препоръчва се да започнете рязането от най-малката страна.

При шлифване не притискайте машината върху обработваната повърхност, а движете диска плавно напред-назад. Леките метали се обработват със специални дискове. Най-добър резултат при грубо шлифване се получава при наклон от 30° - 40° между диска и обработваната повърхност. При грубо шлифване не се допуска използването на дискове за рязане. Използването на дискове с дебелина над 6 mm не се препоръчва.

## Поддръжка



**ПРЕДУПРЕЖДЕНИЕ:** Винаги изключвайте електроинструмента и изваждайте щепсела от контакта преди всякаква проверка или поддръжка.

## ПОДМЯНА НА ЧЕТКИТЕ

Когато четките се износят, двете четки трябва да се подменят едновременно с оригинални четки в сервиз на SPARKY за гаранционна и извънгаранционна поддръжка.

## ОБЩА ПРОВЕРКА

Проверявайте редовно всички крепежни елементи и се уверете, че те са здраво притегнати. В случай, че някой от винтовете се е разхлабил, го затегнете незабавно, за да избегнете рискови ситуации.

Ако охранващият кабел е повреден, замената трябва да се извърши от производителя или негов сервизен специалист, за да се избегнат опасностите от замената.

## ПОЧИСТВАНЕ

За безопасна работа поддържайте винаги чисти машината и вентилационните отвори. Редовно проверявайте дали във вентилационната решетка близо до електродвигателя или около превключвателите не е проникнал прах или чужди тела. Използвайте мека четка за да отстраните събралия се прах. За да предпазите очите си, по време на почистването носете защитни очила.

Ако корпусът на машината се нуждае от по-

чистване, избършете го с мека влажна кърпа. Може да се използва слаб препарат за миене.

При работа в силно запрашена среда (рязане на камък) трябва задължително след всеки работен ден (8 часа работа) да се почистват вентилационните отвори и плъзгача на работещата на празен ход машина с въздух под налягане или с умерени удари около вентилационните отвори с неметален предмет (фиг.6а,6б).



**ПРЕДУПРЕЖДЕНИЕ:** Не се допуска употребата на спирт, бензин или други разтворители. Никога не използвайте разяждащи препарати за почистване на пластмасовите части.



**ПРЕДУПРЕЖДЕНИЕ:** Не се допуска влизането на вода в контакт с машината.

**ВАЖНО!** За да се осигури безопасната работа с електроинструмента и неговата надеждност, всички дейности по ремонта, поддръжката и регулирането (включително проверката и подмяната на четките) трябва да се извършват в оторизираните сервиси на SPARKY с използване само на оригинални резервни части.

## Гаранция

Гаранционният срок на електроинструментите SPARKY се определя в гаранционна карта.

Неизправности, появили се в следствие на естествено износване, претоварване или неправилна експлоатация, се изключват от гаранционните задължения.

Неизправности, появили се в следствие на влагане на некачествени материали и/или производствени грешки, се отстраняват без допълнително заплащане чрез замяна или ремонт.

Рекламация на дефектирал електроинструмент SPARKY се признава, когато машината се върне на доставчика или се представи на оторизиран гаранционен сервис в неразглобено (първоначално) състояние.

## Забележки

Внимателно прочетете цялата инструкция за експлоатация преди да използвате това изделие.

Производителят си запазва правото да въвежда подобрения и промени в своите изделия и да променя спецификациите без предупреждение.

Спецификациите могат да се различават за отделните страни.





